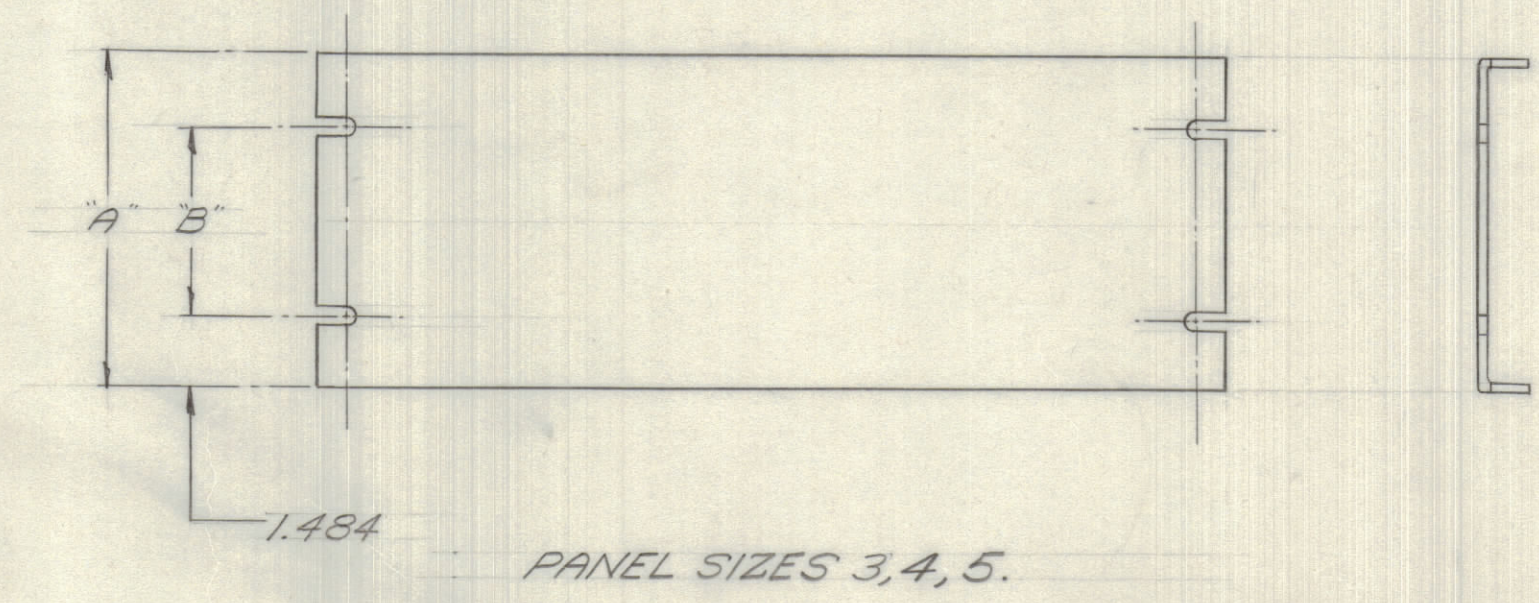
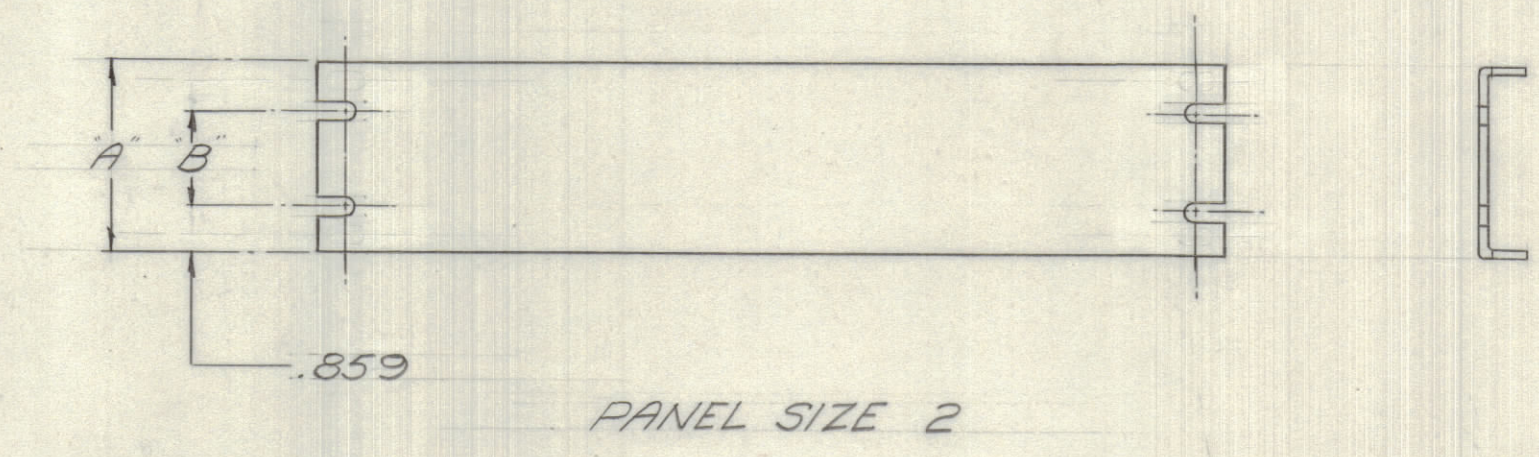
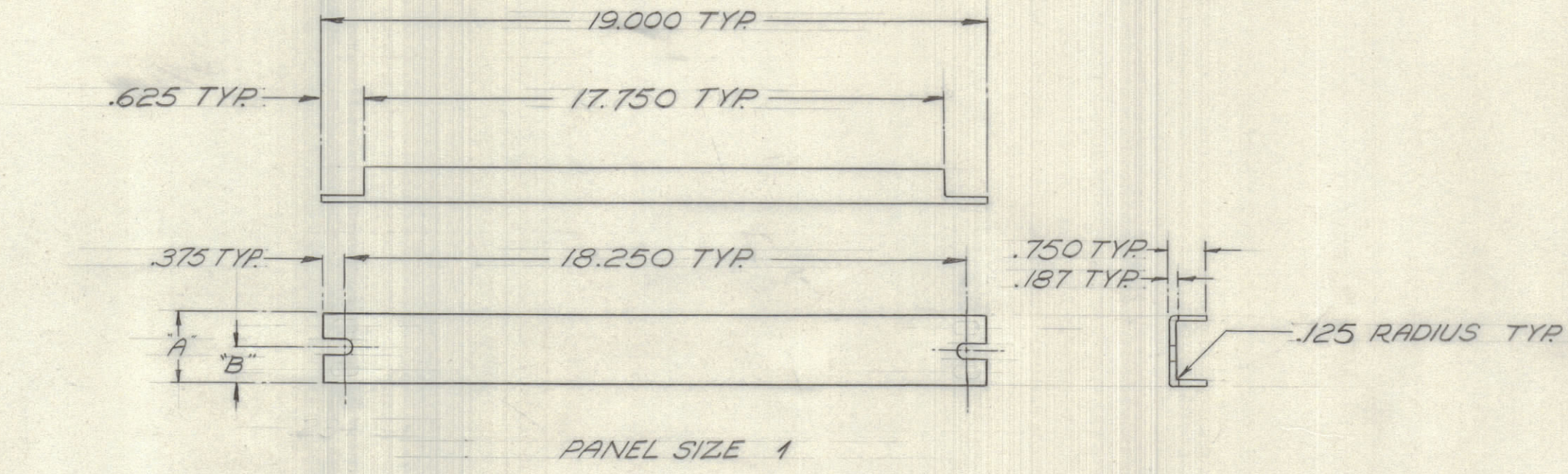


IF IT IS FOUND DESIRABLE TO CHANGE ANY TOLERANCE OR OTHER DETAIL SPECIFIED ON THIS DRAWING NOTIFY THE PURCHASER PROMPTLY.		DIMENSIONS IN INCHES UNLESS OTHERWISE SPECIFIED					
MAXIMUM ALLOWABLE TOLERANCES HAVE BEEN DETERMINED AND DEVIATIONS WILL BE CAUSE FOR REJECTION. REMOVE ALL BURRS AND SHARP EDGES.							
ISSUE	ITEM	CHANGED FROM	DATE	CN. NO.	DRAFTS	CHECKER	ENG. APP.
X		ENG RELEASE	3 APRIL 73		C.C.		

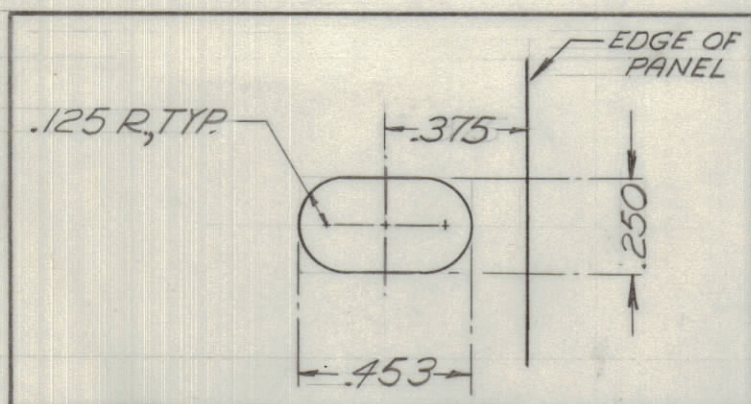
REQ.	ITEM	PART NO.	DESCRIPTION	SYMBOL
------	------	----------	-------------	--------

1. FINISH AS FOLLOWS:  
 5404 IRIDITE, 14-2 AL-COAT  
 S1288 PEBBLE GREY  
 NOTE

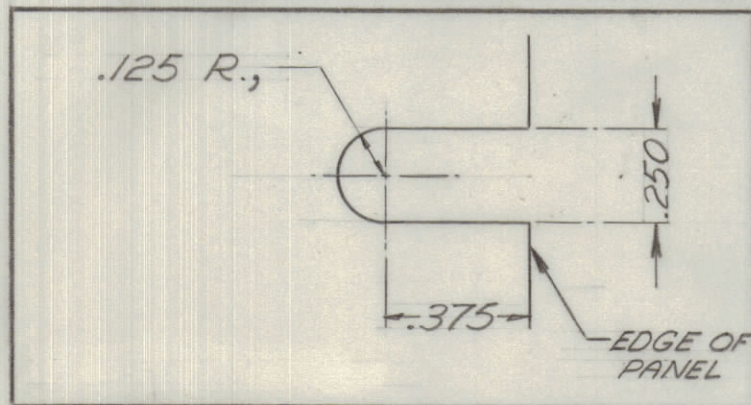


TMC PART N <sup>o</sup>	PANEL SIZE	TABLE OF DIMENSIONS		HOLE PATTERN
		"A"	"B"	
MS 11523 -1	1	1.718	.859	S
MS 11523 -2	2	3.468	1.750	S
MS 11523 -3	3	5.218	2.250	S
MS 11523 -4	4	6.968	4.000	S
MS 11523 -5	5	8.718	5.750	S

MS 11523 X



HOLE PATTERN "H"



HOLE PATTERN "S"

NOMENCLATURE SHALL BE AS FOLLOWS:

**MS 11523 - 4 - H**

DRAWING NO. PANEL SIZE HOLE PATTERN

.125 THK.		TMC (Canada) LIMITED		
STOCK SIZE		OTTAWA ONTARIO		
AL ALY		PANEL, STANDARD, FLANGED,		
MATERIAL	WEIGHT PER PC.	19"		
575 H32		C. CHARLES		
TYPE & TEMPER		DRAWN	ELEC. DES. APP.	MECH. DES. APP.
HEAT TREAT. SPEC.		CHECKED	FINAL APPROVAL	
SEE NOTE			MS 11523 X	
FINISH & SPEC. NO.				

TOLERANCES		SCALE: N.T.S.
ALL OTHERS	DEC. DIM. ± .05 FRAC. DIM. ± 1/64 ANGULAR DIM. ± 0° 30'	DRILL, PUNCH, COMMERCIAL STOCK SIZES AND MANUFACTURERS TOLERANCES ARE NOT INCLUDED.

MODEL	PROJECT NO.	ASSY. NO.	DATE
			3 APRIL 73
USED ON			