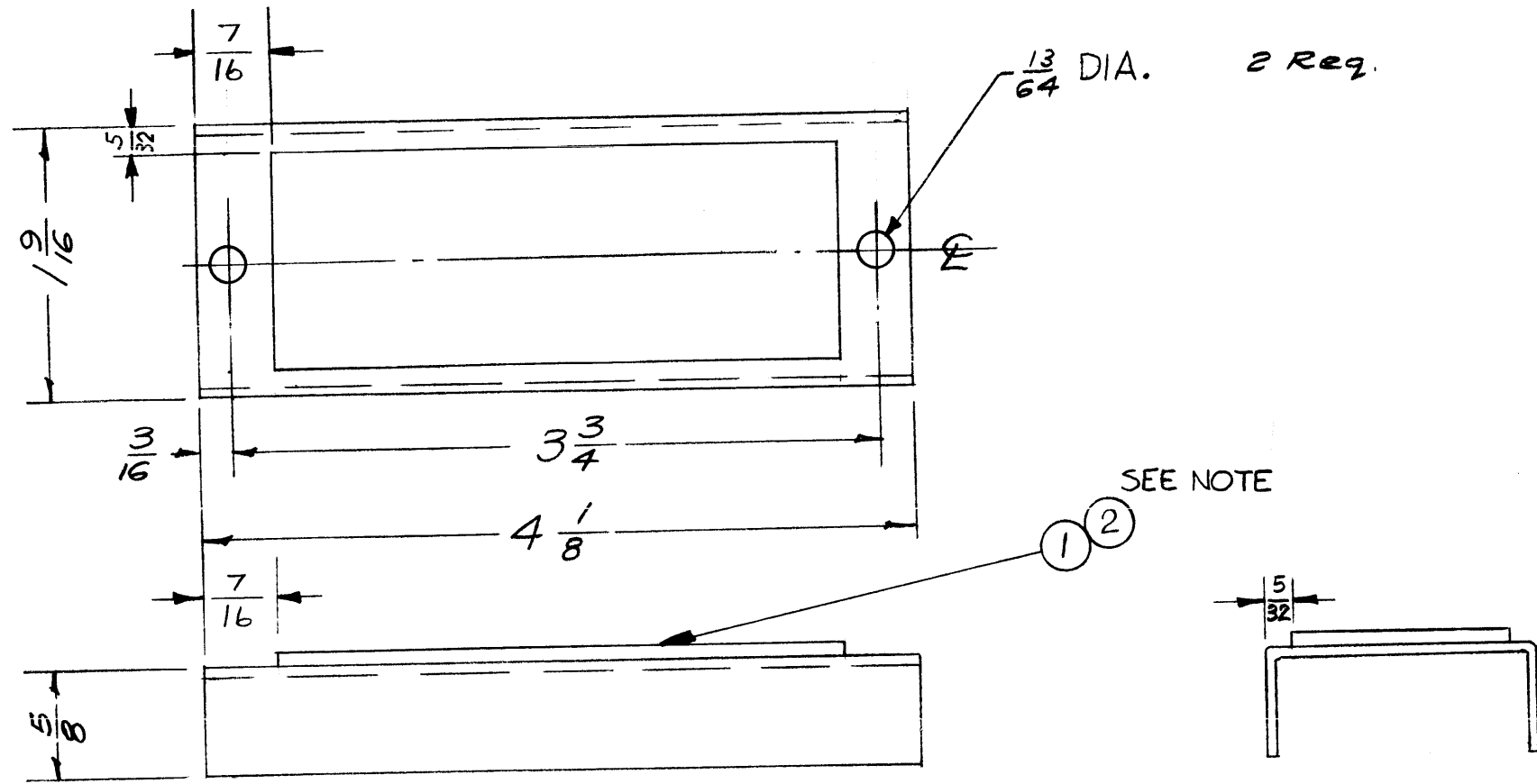


MS-1198 C



NOTE:  
SECURE RY-123-1 IN PLACE  
AS SHOWN WITH ITEM ②

NOTICE TO PERSONS RECEIVING THIS DRAWING

THE TECHNICAL MATERIEL CORPORATION claims proprietary right in the material disclosed hereon. This drawing is issued in confidence for engineering information only and may not be reproduced or used to manufacture anything shown hereon without permission from THE TECHNICAL MATERIEL CORPORATION to the user. This drawing is loaned for mutual assistance and is subject to recall at any time.

Property of:  
THE TECHNICAL MATERIEL CORPORATION  
MAMARONECK, NEW YORK

ISSUE	ITEM	CHANGED FROM	DATE	CH. NO.	DRAFTS	CHECKER	ENG. APP.
C	Z	5/32, 7/16, DIMS ADDED	2-19-62	6399	G.S.	<i>[Signature]</i>	<i>[Signature]</i>
	1	ITEMS 1 & 2 ADDED					
B	I	13/64 DIA. WAS 11/64	1-31-62	6270	G.S.	<i>[Signature]</i>	<i>[Signature]</i>
A	1	S-404 WAS S-101	12/14/59	1001	AB		EMN

TOLERANCES: DEC. DIM. ±, FRAC. DIM. ± 1/64, ANGULAR DIM. ±

SCALE: FULL

MAXIMUM ALLOWABLE TOLERANCES HAVE BEEN DETERMINED AND ANY DEVIATIONS WILL BE CAUSE FOR REJECTION. REMOVE ALL BURRS AND SHARP EDGES

REQ. PER UNIT	MODEL	PROJECT NO.	ASS'Y. NO.	DATE
1	A-1504			

USED ON

REQ.	ITEM	PART NO.	DESCRIPTION	SYMBOL
X	2	GL-101-1	CEMENT, PLIOBOND	
1	1	RY-123-1	SHEET, RUBBER	
.064 THK.			THE TECHNICAL MATERIEL CORP. MAMARONECK, NEW YORK	
Aluminum			BRACKET, CAPACITOR (BATT. SUPPLY, A-1504)	
5052-H32		16 2/27/58	<i>[Signature]</i>	ATT
S-404 YELLOW IRIDITE		<i>[Signature]</i>	<i>[Signature]</i>	MS-1198 C