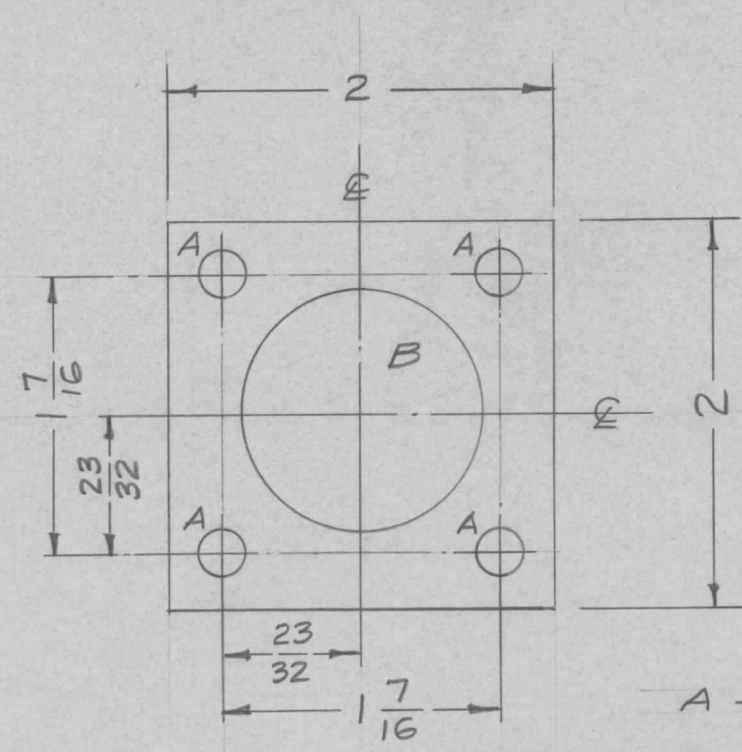


REQ. PER UNIT	USED ON		
	MODEL	ASS'Y. NO.	DATE
1	ATS-50TU		12-17-57
1	ATS-70TU		12-17-57

MS-1168 A



A - 15/64 (.234) D. 4 Req.
 B - 1" (1.000) D. 1 Req.

Ref - UG-352/U & GA-136

ISSUE	ITEM	CHANGED FROM	DATE	CH. NO.	DRAFTS	CHECKER	ENG. APP.	REQ. ITEM	PART NO.	DESCRIPTION	SYMBOL		
										THE TECHNICAL MATERIEL CORP. MAMARONECK, NEW YORK	A		
										PLATE, ANTENNA CONNECTOR			
A	1	5404 - IRIDITE WAS 5101 - CAUSTIC DIP	12-8 59	1001	P		EMN						
TOLERANCES								SCALE: FULL					
DEC. DIM. ±								MAXIMUM ALLOWABLE TOLERANCES HAVE BEEN DETERMINED AND ANY DEVIATIONS WILL BE CAUSE FOR REJECTION.					
FRAC. DIM. ± 1/64								REMOVE ALL BURRS AND SHARP EDGES					
ANGULAR DIM. ±													
								5052-H32	—	16 12/17/57	EMN	MS-1168	A
								TYPE & TEMPER	HEAT TREAT. SPEC.	DRAWN	CHECKED	FINAL APPROVAL	
								5404 IRIDITE		EMN	EMN		
								FINISH & SPEC. NO.	ELEC. DES. APP.	MECH. DES. APP.			