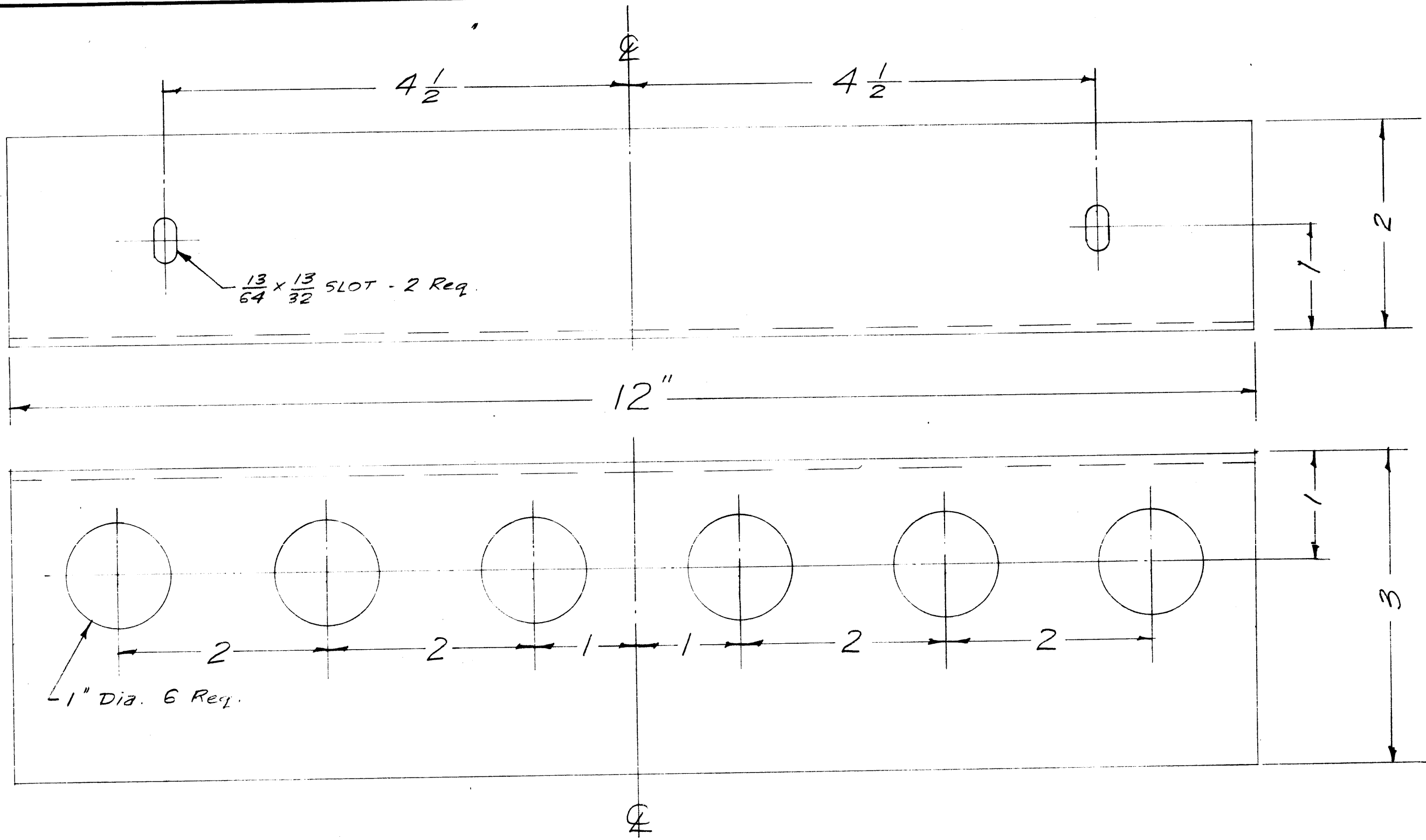


MS-1137 A



ISSUE	ITEM	CHANGED FROM	DATE	CH. NO.	DRAFTS	CHECKER	ENG. APP.
A	1	S-404 WAS S-101	12/14/57	1001	#5		EMN
TOLERANCES			SCALE: FULL				
DEC. DIM. ±			MAXIMUM ALLOWABLE TOLERANCES HAVE BEEN DETERMINED AND ANY DEVIATIONS WILL BE CAUSE FOR REJECTION.				
FRAC. DIM. ± 1/64			REMOVE ALL BURRS AND SHARP EDGES				
ANGULAR DIM. ±							

4	GPRATORY MSR	793	9-16-57
REQ. PER UNIT	MODEL	PROJECT NO.	ASS'Y. NO.
USED ON			

REQ. ITEM	PART NO.	DESCRIPTION	SYMBOL
	.081 THK	THE TECHNICAL MATERIEL CORP.	
	STOCK SIZE	MAMARONECK. NEW YORK	
	Aluminum	BRACKET, SUPPORT	
	MATERIAL		
	5052-H32	15 9/16/57	
	TYPE & TEMPER	DRAWN	CHECKED
	HEAT TREAT. SPEC.		FINAL APPROVAL
	S-404 YELLOW IRIDITE		
	FINISH & SPEC. NO.	ELEC. DES. APP.	MECH. DES. APP.
			MS-1137 A