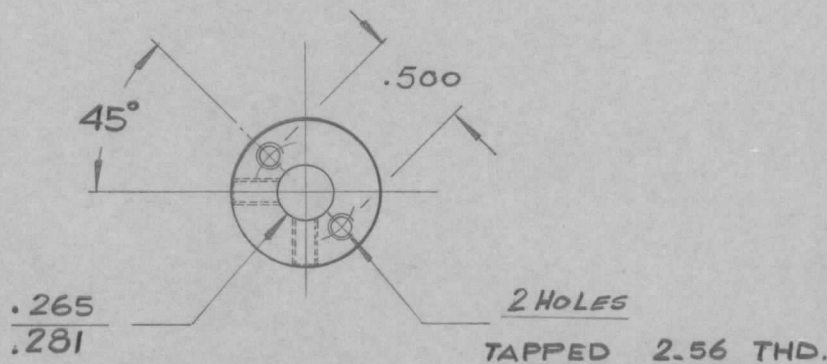
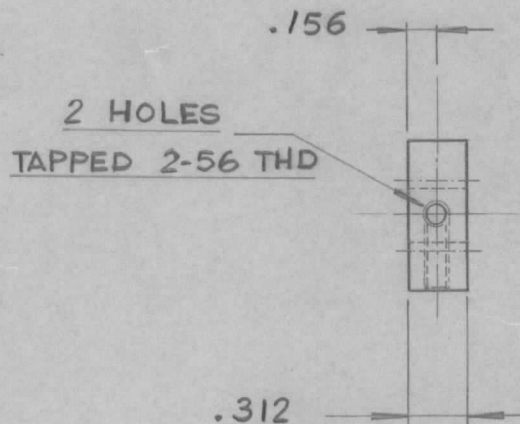


ISSUE	ITEM	CHANGED FROM	DATE	CN. NO.	DRAFTS	CHECKER	ENG. APP.	REQ.	ITEM	PART NO.	DESCRIPTION	SYMBOL
X		ENGINEERING REL.	MAR 22.69		AHa							



RCU 16		090 / 69		MAR 22, 69		.750 DIA		TMC (Canada) LIMITED OTTAWA ONTARIO					
MODEL		PROJECT NO.		DATE		STOCK SIZE							
USED ON						BS ROD		BUSH					
MAXIMUM ALLOWABLE TOLERANCES HAVE BEEN DETERMINED AND DEVIATIONS WILL BE CAUSE FOR REJECTION. REMOVE ALL BURRS AND SHARP EDGES.						MATERIAL						WEIGHT PER PC.	
						IF IT IS FOUND DESIRABLE TO CHANGE ANY TOLERANCE OR OTHER DETAIL SPECIFIED ON THIS DRAWING NOTIFY THE PURCHASER PROMPTLY.						B 16	
TOLERANCES												TYPE & TEMPER	
						SCALE 1 / 1						HEAT TREAT. SPEC.	
ALL OTHERS		DEC. DIM. ± .015		-X--05-								DIMENSIONS IN INCHES UNLESS OTHERWISE SPECIFIED	
		FRAC. DIM. ± 1/64		-XX--01-		DRILL, PUNCH, COMMERCIAL STOCK SIZES AND MANUFACTURERS TOLERANCES ARE NOT INCLUDED.							
		ANGULAR DIM. ± 0° 30'		-XXX--005-									