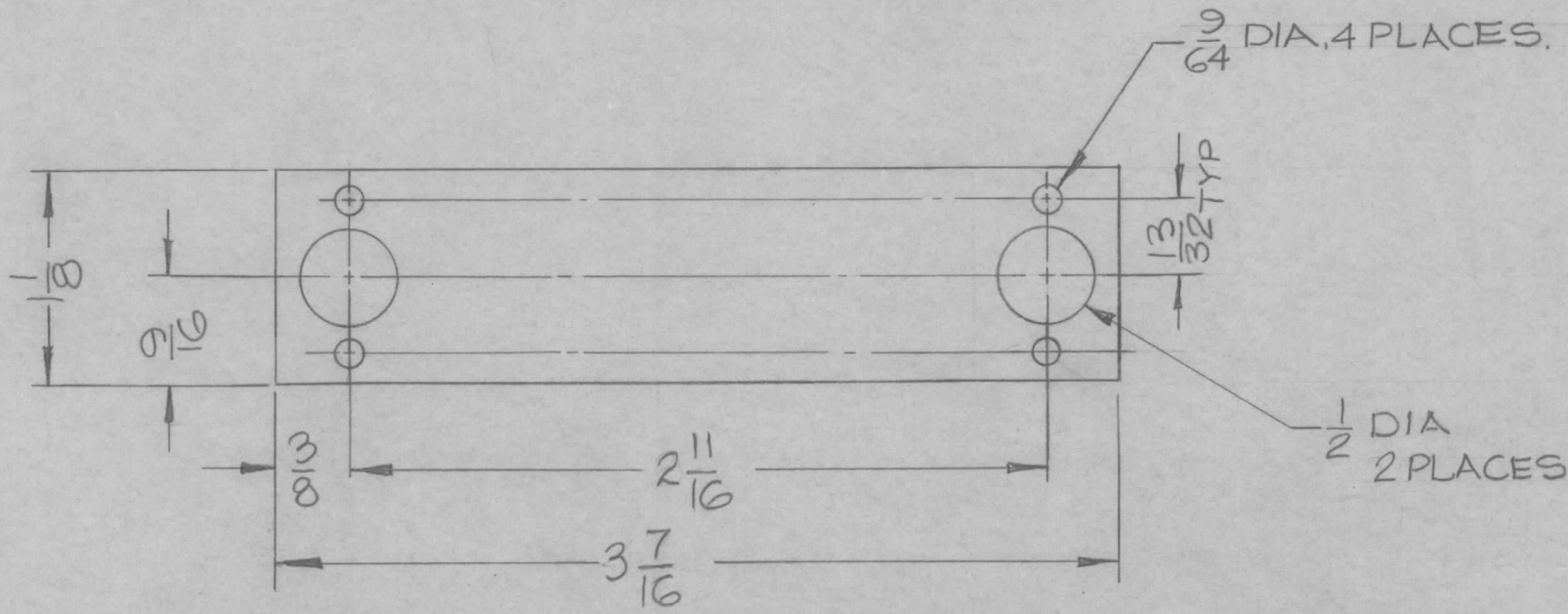


MS 10889 A

ISSUE	ITEM	CHANGED FROM	DATE	CN. NO.	DRAFTS	CHECKER	ENG. APP.	REQ.	ITEM	PART NO.	DESCRIPTION	SYMBOL
Φ		REL TO PROD.	10/4/68		S.B.	<i>[Signature]</i>	<i>[Signature]</i>					
A		REVISED PER CEMN	30 JAN	703	<i>[Signature]</i>	<i>[Signature]</i>	<i>[Signature]</i>					

# STANDARD DRAWING



MODEL		PROJECT NO.		ASS'Y. NO.		DATE		.081		TMC (Canada) LIMITED		OTTAWA ONTARIO	
USED ON								STOCK SIZE		SPACER			
MAXIMUM ALLOWABLE TOLERANCES HAVE BEEN DETERMINED AND DEVIATIONS WILL BE CAUSE FOR REJECTION. REMOVE ALL BURRS AND SHARP EDGES				IF IT IS FOUND DESIRABLE TO CHANGE ANY TOLERANCE OR OTHER DETAIL SPECIFIED ON THIS DRAWING NOTIFY THE PURCHASER PROMPTLY.				ALUMINUM		DRAWN <i>[Signature]</i>			
								MATERIAL		WEIGHT PER PC.		ELEC. DES. APP. <i>[Signature]</i>	
TOLERANCES				SCALE 1:1				TYPE & TEMPER		CHECKED			
ALL OTHERS				DIMENSIONS IN INCHES UNLESS OTHERWISE SPECIFIED				HEAT TREAT. SPEC.		FINAL APPROVAL			
								DRILL, PUNCH, COMMERCIAL STOCK SIZES AND MANUFACTURERS TOLERANCES ARE NOT INCLUDED.		S404-IRIDITE		MS10889 A	
DEC. DIM. ±				ANGULAR DIM. ±				FINISH & SPEC. NO.					
FRAC. DIM. ± $\frac{1}{64}$													