

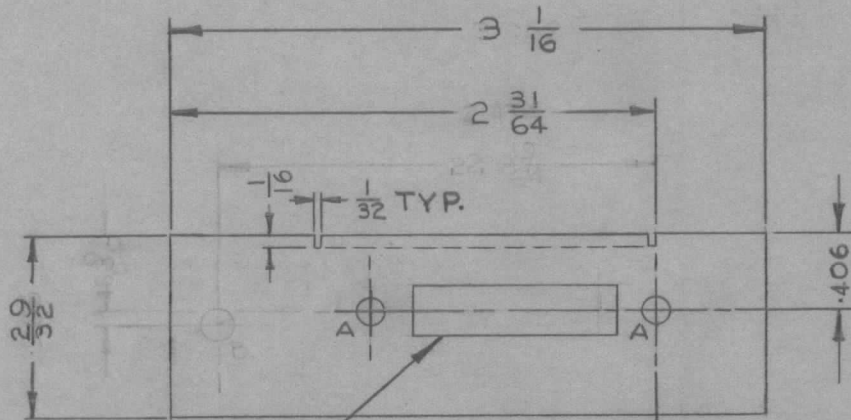
IF IT IS FOUND DESIRABLE TO CHANGE ANY TOLERANCE OR OTHER DETAIL SPECIFIED ON THIS DRAWING NOTIFY THE PURCHASER PROMPTLY.

MS10623

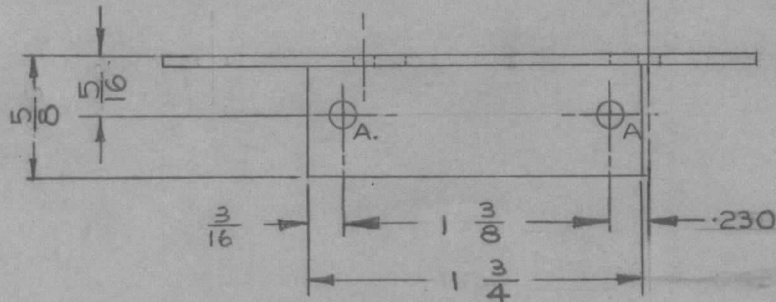
MAXIMUM ALLOWABLE TOLERANCES HAVE BEEN DETERMINED AND DEVIATIONS WILL BE CAUSE FOR REJECTION. REMOVE ALL BURRS AND SHARP EDGES

USED ON

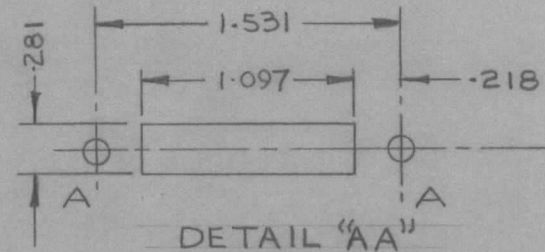
MODEL	PROJECT NO.	ASS'Y. NO.	DATE
AMC20	020/66	A10366	DEC2/65



SEE DETAIL "A-A"



HOLE	DESCRIPTION	REQ'D.
A	9/64 DIA.	4
B	5/32 DIA.	1



B	WAS ONE "B" HOLE	MAY 1/67	RPL	
A	REDRAWN AND REDIMENSIONED	FEB 7/66	GM	
Ø	REL. FOR PROD.	JAN. 17/66	RL	

ISSUE	ITEM	CHANGED FROM	DATE	CN. NO.	DRAFTS	CHECKER	ENG. APP.
-------	------	--------------	------	---------	--------	---------	-----------

TOLERANCES			SCALE 1:1				
ALL OTHERS	DEC. DIM. ± .XXX .005		DIMENSIONS IN INCHES UNLESS OTHERWISE SPECIFIED				
	FRAC. DIM. ± 1/64		DRILL, PUNCH, COMMERCIAL STOCK SIZES AND MANUFACTURERS TOLERANCES ARE NOT INCLUDED.				
	ANGULAR DIM. ±						

REQ.	ITEM	PART NO.	DESCRIPTION	SYMBOL
		064	TMC (Canada) LIMITED OTTAWA ONTARIO	BRACKET, MODULE EXTENSION
		STOCK SIZE		
		ALUMINUM		
		MATERIAL	WEIGHT PER PC.	
		TYPE & TEMPER	RL	
		575-H34	DRAWN	ELEC. DES. APP. MECH. DES. APP.
		HEAT TREAT. SPEC.		
		5404 IRIDITE	CHECKED	FINAL APPROVAL
		FINISH & SPEC. NO.	BEDFORD	MS10623 B