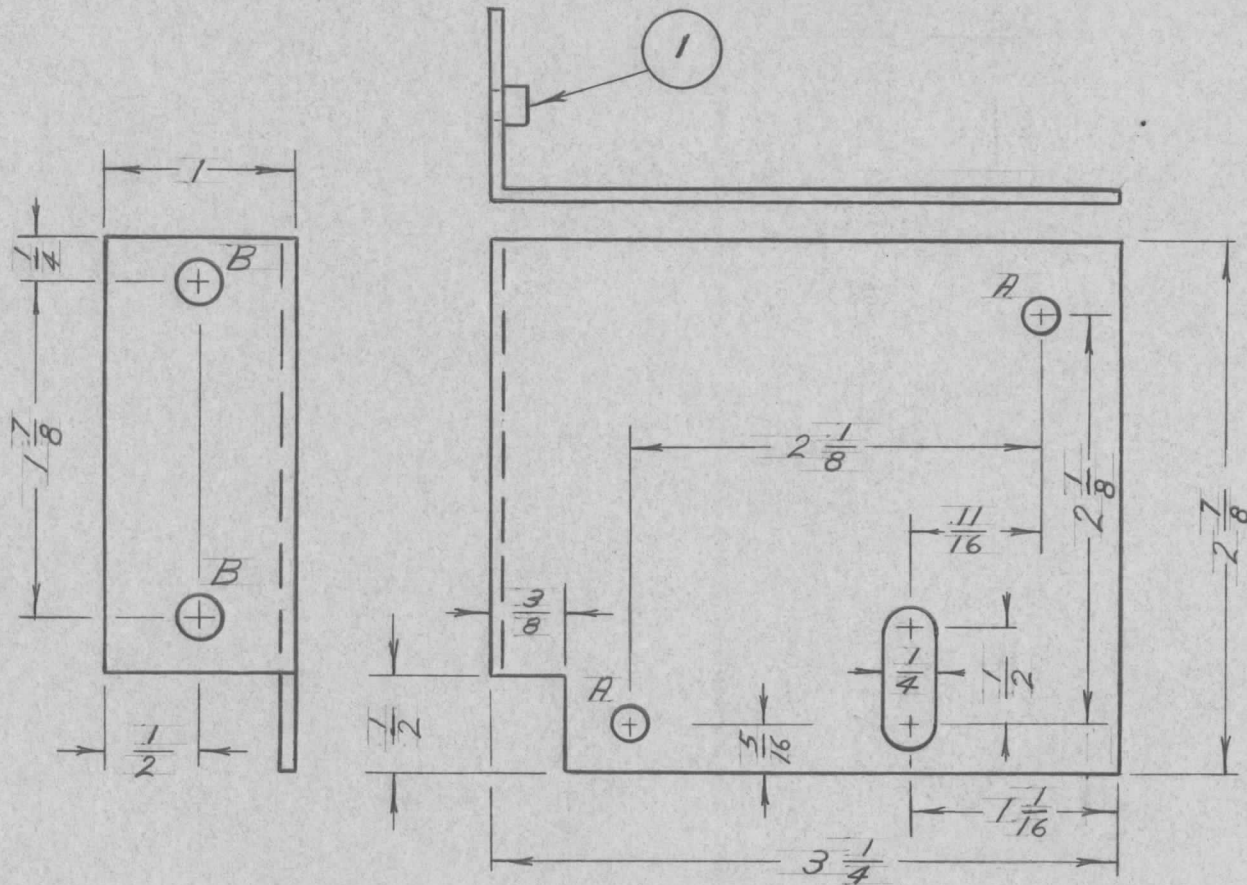


ISSUE	ITEM	CHANGED FROM	DATE	CN. NO.	DRAFTS	CHECKER	ENG. APP.	REQ.	ITEM	PART NO.	DESCRIPTION	SYMBOL
								2	1	NT129-832-4	NUT, ROUND, SWAGE TYPE	



HOLE "A" - .172 2 REQ  
HOLE "B" - .220 2 REQ FOR  
MOUNTING ITEM "1"

MODEL		PROJECT NO.		ASS'Y. NO.		DATE		STOCK SIZE		TMC (Canada) LIMITED OTTAWA ONTARIO			
		A-10350		19-5-64				.064					
USED ON				MATERIAL		WEIGHT PER PC.		BRACKET					
MAXIMUM ALLOWABLE TOLERANCES HAVE BEEN DETERMINED AND DEVIATIONS WILL BE CAUSE FOR REJECTION. REMOVE ALL BURRS AND SHARP EDGES				IF IT IS FOUND DESIRABLE TO CHANGE ANY TOLERANCE OR OTHER DETAIL SPECIFIED ON THIS DRAWING NOTIFY THE PURCHASER PROMPTLY.				ALUM.		RELAY MTG			
								5052 H32		R DES.			
TOLERANCES				SCALE		TYPE & TEMPER		DRAWN		ELEC. DES. APP.		MECH. DES. APP.	
ALL OTHERS				DIMENSIONS IN INCHES UNLESS OTHERWISE SPECIFIED		HEAT TREAT. SPEC.		CHECKED		FINAL APPROVAL			
				DRILL, PUNCH, COMMERCIAL STOCK SIZES AND MANUFACTURERS TOLERANCES ARE NOT INCLUDED.		5 404 YELLOW IRIDITE				MS10571			
						FINISH & SPEC. NO.							