

IF IT IS FOUND DESIRABLE TO CHANGE ANY TOLERANCE OR OTHER DETAIL SPECIFIED ON THIS DRAWING NOTIFY THE PURCHASER PROMPTLY.

MS10525

MAXIMUM ALLOWABLE TOLERANCES HAVE BEEN DETERMINED AND DEVIATIONS WILL BE CAUSE FOR REJECTION. REMOVE ALL BURRS AND SHARP EDGES

USED ON

MODEL

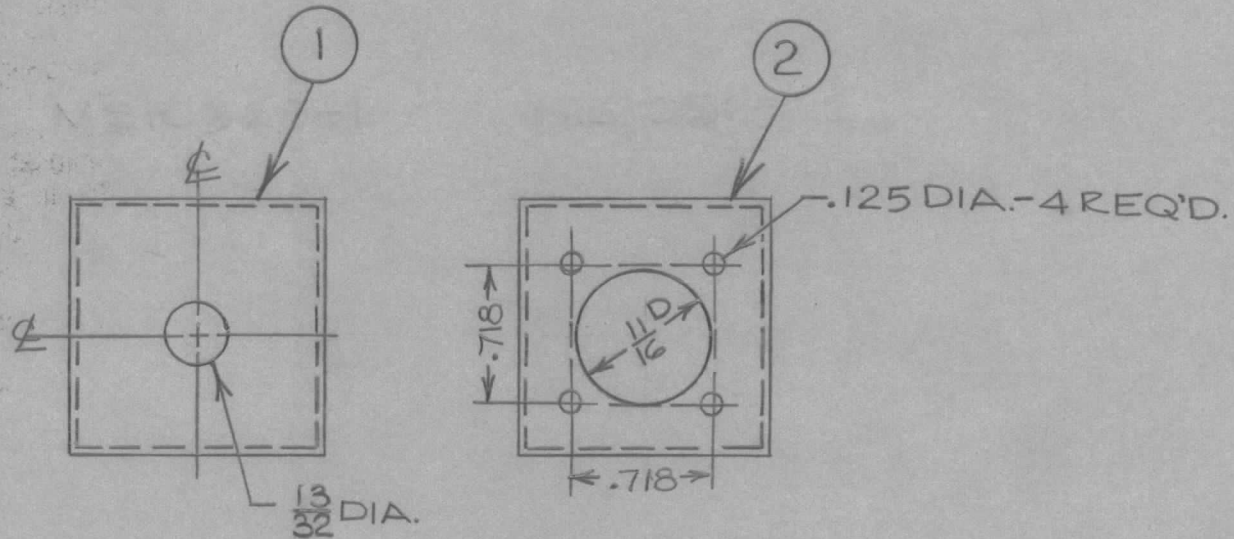
PROJECT NO.

ASS'Y. NO.

DATE

TR052

3/28/61



REF: BX100-3 WITHOUT STUDS.

1	2	MS10525-2	TERMINAL LID, BALANCED
1	1	MS10525-1	TERMINAL LID, UNBALANCED
REQ.	ITEM	PART NO.	DESCRIPTION
STOCK SIZE			TMC (Canada) LIMITED OTTAWA ONTARIO
MATERIAL			
WEIGHT PER PC.			TERMINAL LIDS
TYPE & TEMPER			TR052
HEAT TREAT. SPEC.			JPC
FINISH & SPEC. NO.			MECH. DES. APP. <i>M. Br.</i>
TOLERANCES			ELEC. DES. APP. <i>JPC</i>
SCALE 1:1			CHECKED
DIMENSIONS IN INCHES UNLESS OTHERWISE SPECIFIED			FINAL APPROVAL
DRILL, PUNCH, COMMERCIAL STOCK SIZES AND MANUFACTURERS TOLERANCES ARE NOT INCLUDED.			MS10525

ISSUE	ITEM	CHANGED FROM	DATE	CN. NO.	DRAFTS	CHECKER	ENG. APP.
ALL OTHERS		DEC. DIM. ± FRAC. DIM. ± ANGULAR DIM. ±					