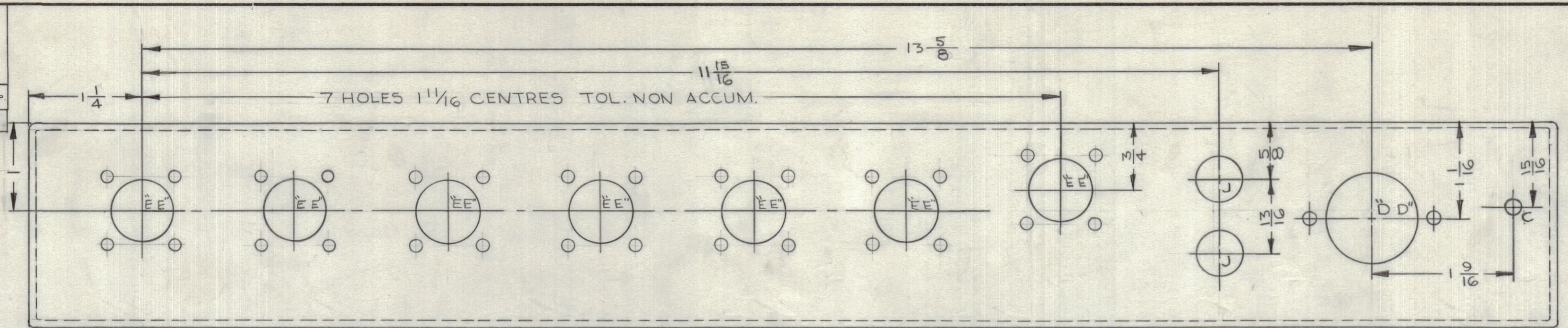


IF IT IS FOUND DESIRABLE TO CHANGE ANY TOLERANCE OR OTHER DETAIL SPECIFIED ON THIS DRAWING NOTIFY THE PURCHASER PROMPTLY.

MAXIMUM ALLOWABLE TOLERANCES HAVE BEEN DETERMINED AND DEVIATIONS WILL BE CAUSE FOR REJECTION. REMOVE ALL BURRS AND SHARP EDGES.

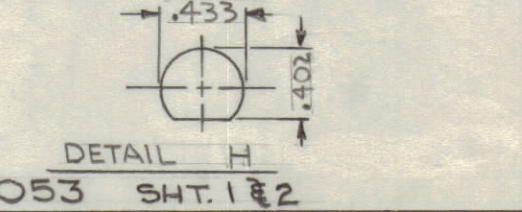
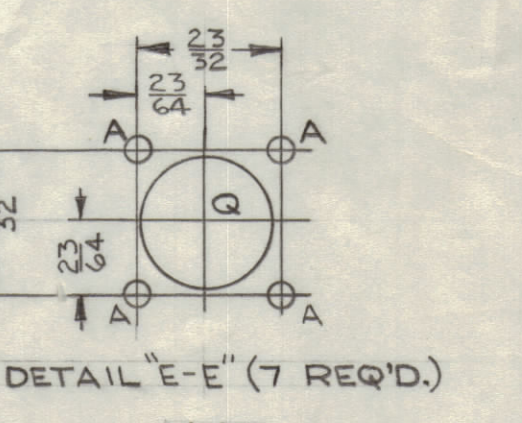
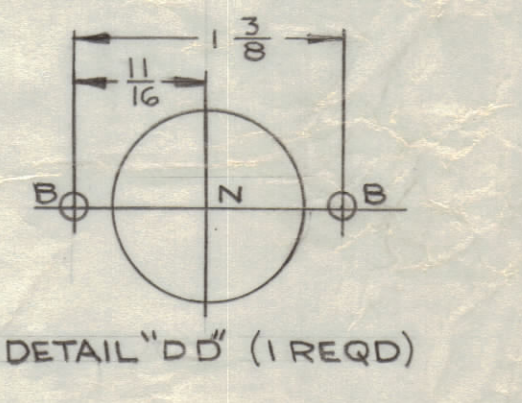
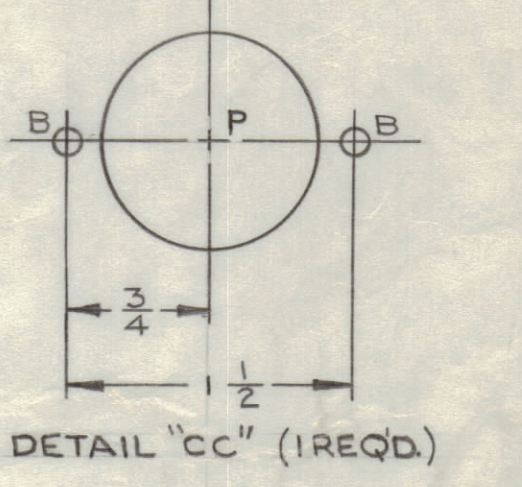
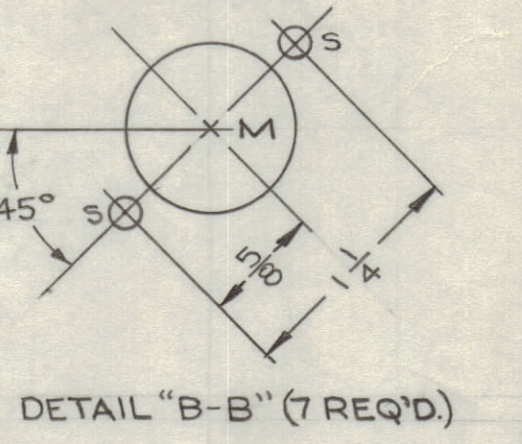
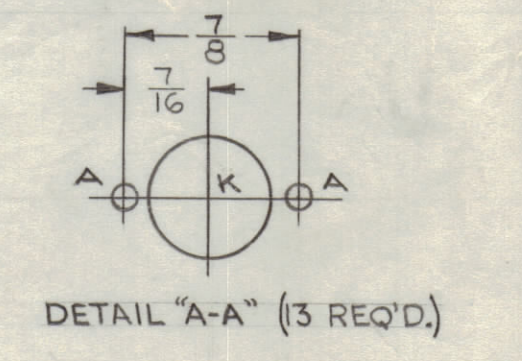
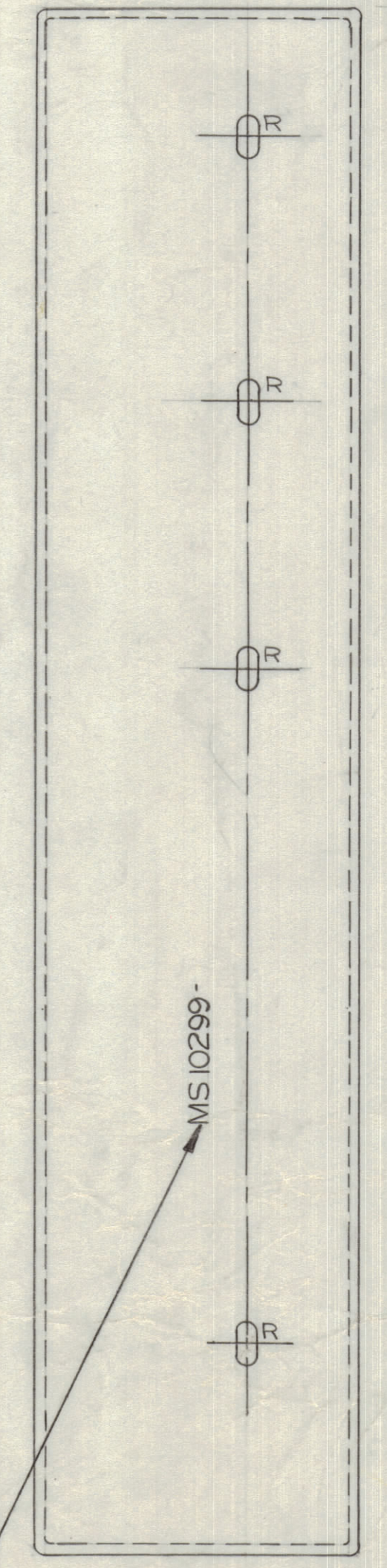
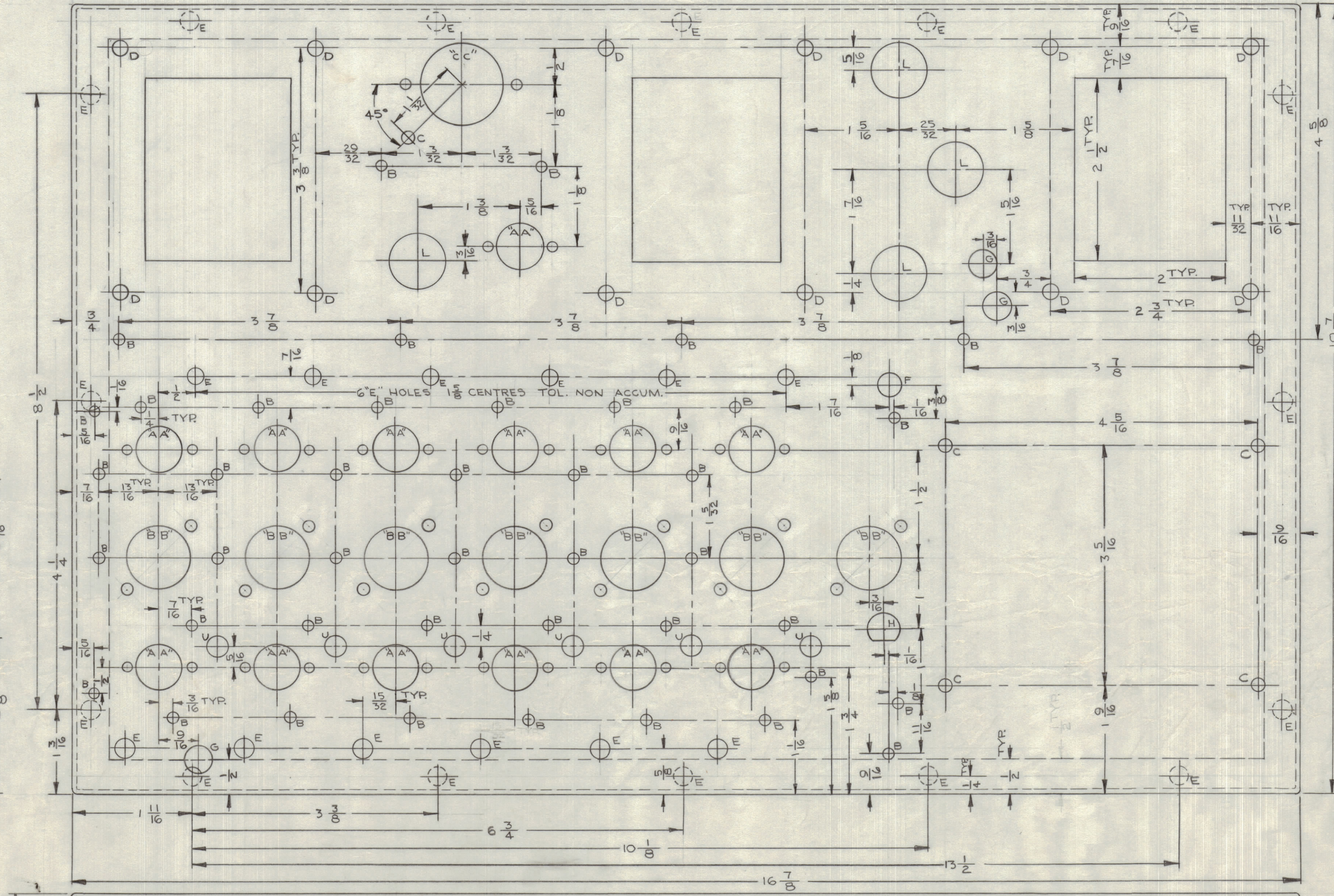
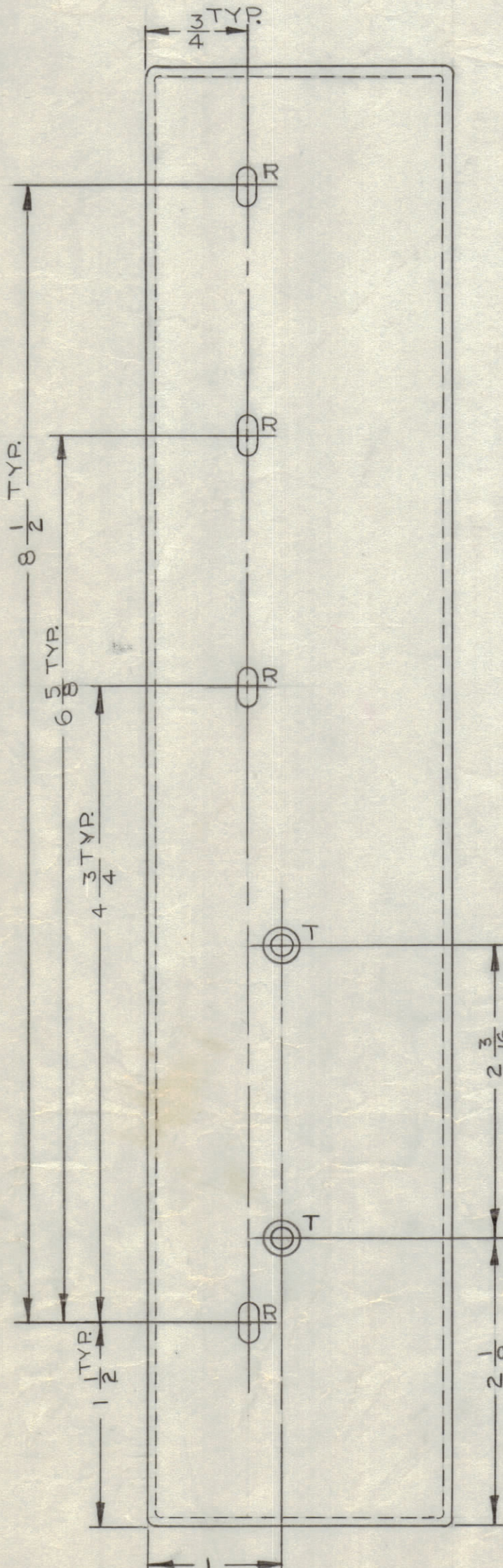
ISSUE ITEM CHANGED FROM DATE CN. NO. DRAFTS CHECKER ENG. APP.

K REDRAWN AND REPOSITIONED HOLES JUNE 27/66 16825 GM [Signature]



REQ	ITEM	PART NO.	DESCRIPTION	SYMBOL
-----	------	----------	-------------	--------

HOLE	DESCRIPTION	REQ'D
A	1/8 DIA.	54
B	9/64 DIA.	47
C	11/64 DIA.	10
D	13/64 DIA.	12
E	1/4 DIA.	28
F	5/16 DIA.	1
G	3/8 DIA.	3
H	SEE DETAIL	1
J	1/2 DIA.	2
K	5/8 DIA.	13
L	3/4 DIA.	4
M	7/8 DIA.	7
N	1" DIA.	1
P	1 1/8 DIA.	1
Q	1 1/16 DIA.	7
R	9/64 X 9/32 SLOT	8
S	5/32 DIA.	14
T	.144 DIA. CSK. FOR 6-32 SCR	2
U	9/32 DIA.	6



REF: LD10053 SHT. 1 OF 2

064 THK. STOCK SIZE	TMC (Canada) LIMITED OTTAWA ONTARIO	
ALUM. MATERIAL	CHASSIS, AMC 6-5	
5052-H32 TYPE & TEMPER	DCM DRAWN	MECH. DES. APP.
HEAT TREAT SPEC.	CHECKED	FINAL APPROVAL
S404 IRIDITE FINISH & SPEC. NO.	MS10299 K	

TOLERANCES

ALL DEC. DIM. ± .005, .01, .015, .02, .03, .04, .05, .06, .07, .08, .09, .10, .12, .15, .20, .25, .30, .40, .50, .60, .75, .100

OTHERS DEC. DIM. ± 1/64

ANGULAR DIM. ± 30'

SCALE: 1:1

DRILL, PUNCH, COMMERCIAL STOCK SIZES AND MANUFACTURERS TOLERANCES ARE NOT INCLUDED.

AMC 6-5	PROJECT NO.	ASS'Y. NO.	27-2-59
MODEL		DATE	