

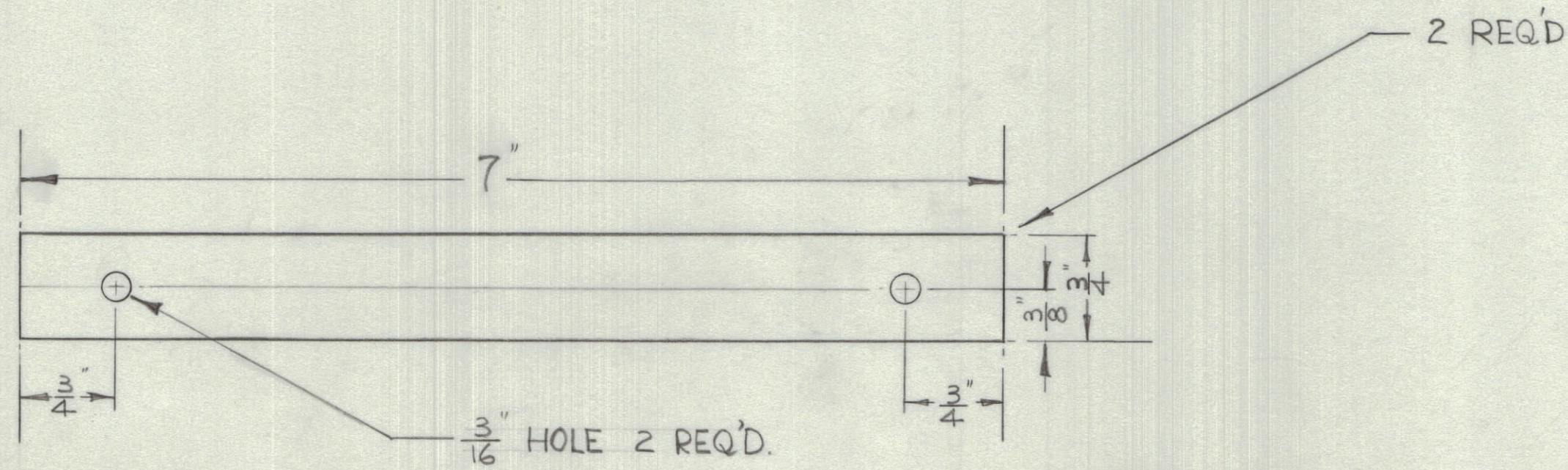
IF IT IS FOUND DESIRABLE TO CHANGE ANY TOLERANCE OR OTHER DETAIL SPECIFIED ON THIS DRAWING NOTIFY THE PURCHASER PROMPTLY.

MAXIMUM ALLOWABLE TOLERANCES HAVE BEEN DETERMINED AND DEVIATIONS WILL BE CAUSE FOR REJECTION. REMOVE ALL BURRS AND SHARP EDGES

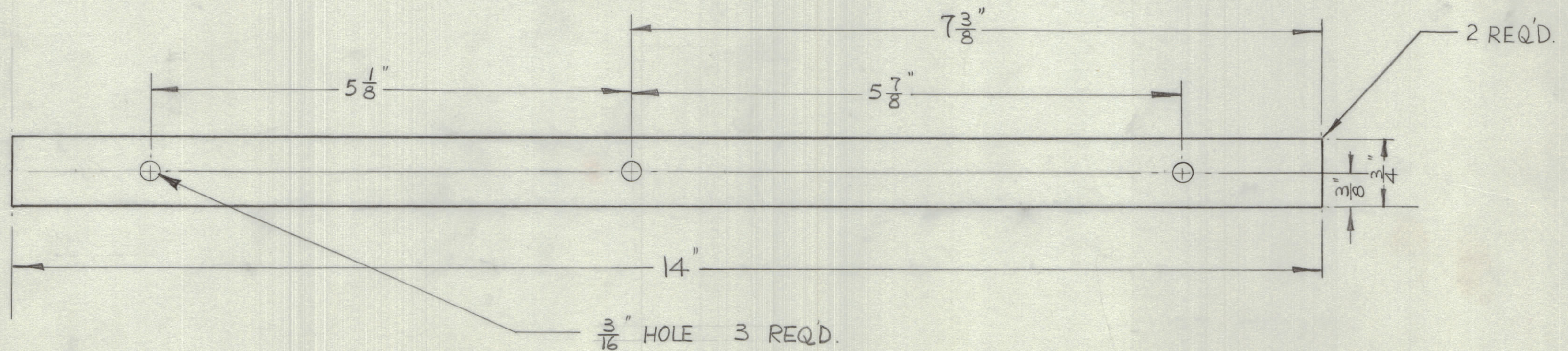
NOTICE TO PERSONS RECEIVING THIS DRAWING

THE TECHNICAL MATERIEL CORPORATION claims proprietary right in the material disclosed hereon. This drawing is issued in confidence for engineering information only and may not be reproduced or used to manufacture anything shown hereon without permission from THE TECHNICAL MATERIEL CORPORATION to the user. This drawing is loaned for mutual assistance and is subject to recall at any time.

Property of:
THE TECHNICAL MATERIEL CORPORATION
MAMARONECK, NEW YORK



MS-10 205



ISSUE	ITEM	CHANGED FROM	DATE	CN. NO.	DRAFTS	CHECKER	ENG. APP.
TOLERANCES		SCALE:					
ALL OTHERS	DEC. DIM. ± FRAC. DIM. ± ANGULAR DIM. ±	DRILL, PUNCH, COMMERCIAL STOCK SIZES AND MANUFACTURERS TOLERANCES ARE NOT INCLUDED.					

MODEL	PROJECT NO.	ASS'Y. NO.	DATE
			12/11/57

REQ. ITEM	PART NO.	DESCRIPTION	SYMBOL
STOCK SIZE		TMC (Canada) LIMITED OTTAWA ONTARIO	
MATERIAL		FOR SCREEN ON BLOWER HOUSING	
TYPE & TEMPER		Eckert DRAWN	
HEAT TREAT. SPEC.		ELEC. DES. APP.	MECH. DES. APP.
FINISH & SPEC. NO.		CHECKED	FINAL APPROVAL
		MS 10205	