

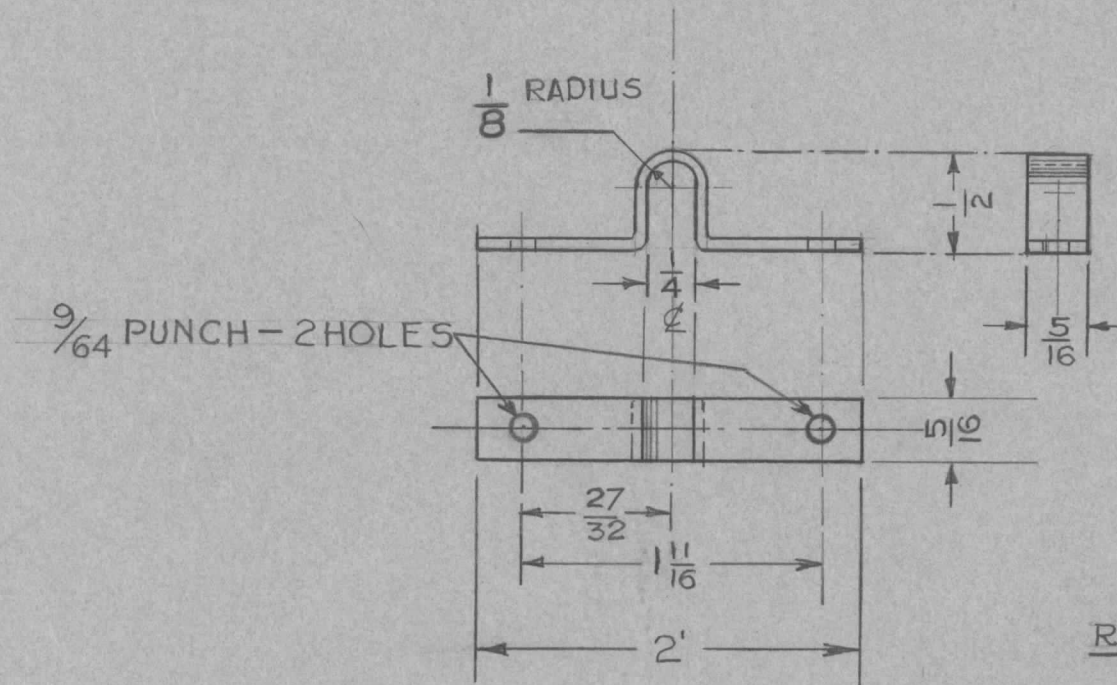
IF IT IS FOUND DESIRABLE TO CHANGE ANY TOLERANCE OR OTHER DETAIL SPECIFIED ON THIS DRAWING NOTIFY THE PURCHASER PROMPTLY.

MAXIMUM ALLOWABLE TOLERANCES HAVE BEEN DETERMINED AND DEVIATIONS WILL BE CAUSE FOR REJECTION. REMOVE ALL BURRS AND SHARP EDGES

MS-10150

USED ON

MODEL	PROJECT NO.	ASS'Y. NO.	DATE
AMC6-2/200B			27-2-56



REQ'D - ONE PER SET

REQ.	ITEM	PART NO.	DESCRIPTION	SYMBOL
			<b>TMC (Canada) LIMITED</b> OTTAWA ONTARIO	
		ALUM, 062	BRACKET - INPUT CABLE	
			AMC6 - 2/200B	
			E.W.B.G.	
			DRAWN	ELEC. DES. APP. MECH. DES. APP.
			CHECKED	FINAL APPROVAL
		TMC-SPECS-S101 & S107		MS-10150

ISSUE	ITEM	CHANGED FROM	DATE	CN. NO.	DRAFTS	CHECKER	ENG. APP.
TOLERANCES			SCALE				
ALL OTHERS	DEC. DIM. ±	FRAC. DIM. ± 1/64	DRILL, PUNCH, COMMERCIAL STOCK SIZES AND MANUFACTURERS TOLERANCES ARE NOT INCLUDED.				
	ANGULAR DIM. ±						