

IF IT IS FOUND DESIRABLE TO CHANGE ANY TOLERANCE OR OTHER DETAIL SPECIFIED ON THIS DRAWING NOTIFY THE PURCHASER PROMPTLY.

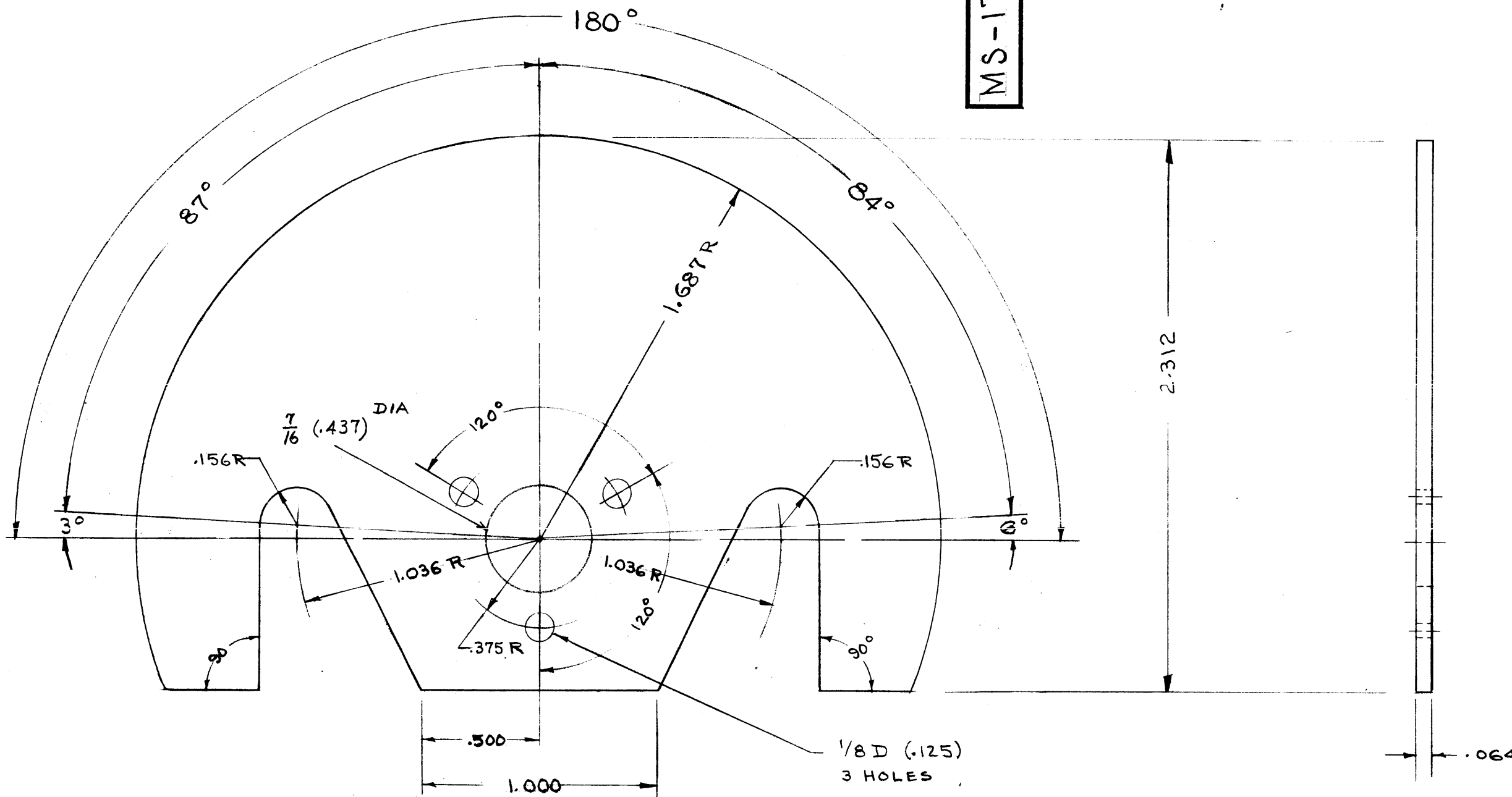
MAXIMUM ALLOWABLE TOLERANCES HAVE BEEN DETERMINED AND DEVIATIONS WILL BE CAUSE FOR REJECTION. REMOVE ALL BURRS AND SHARP EDGES

RELEASED

MS-179 E

MARKING REF.

MODEL	MARKING
FFRD-1	LD-267
FFRD-2	LD-268
FFRD-3	LD-295
FFRD-3M	LD-211
FFRD-5A	LD-129
FFRD-6A	LD-128
FFRD-7B	LD-127
FFRD-8B	LD-125



TO PERSONS RECEIVING THIS DRAWING
 THE TECHNICAL MATERIEL CORPORATION claims proprietary right in the material disclosed hereon. This drawing is issued in confidence for engineering information only and may not be reproduced or used to manufacture anything shown hereon without permission from THE TECHNICAL MATERIEL CORPORATION to the user. This drawing is loaned for mutual assistance and is subject to recall at any time.

Property of:
 THE TECHNICAL MATERIEL CORPORATION
 MAMARONECK, NEW YORK

ISSUE	ITEM	CHANGED FROM	DATE	CN. NO.	DRAFTS	CHECKER	ENG. APP.
E	1	ADDED MARKING REF	2/20/52	10911	A.M.	[Signature]	WCS
D	1	S-404 WAS S-101	12/11/51	1001	AD	[Signature]	EMN
C	2	84° WAS 87° 8° WAS 3°	9/3/51	3	FC	[Signature]	[Signature]
B	2	1.687R WAS 1.718R	12-23-51	2	JAD	[Signature]	G.T.O
A	1	GENERAL REVISION	12-14-51	1	JAD	[Signature]	G.T.O

TOLERANCES	SCALE:
DEC. DIM. ± .005 FRAC. DIM. ± ANGULAR DIM. ± 1°	2" = 1"

REQ. PER UNIT	MODEL	PROJECT NO.	ASSY. NO.	DATE
1	FFRD-3M			5-6-55
1	FFRD-5	104	A-236	11/13/52
1	FFRD-6	104	A-236	11/13/52
1	FFRD-7	104	A-236	11/13/52
1	FFRD-8	104	A-236	11/13/52

REQ.	ITEM	PART NO.	DESCRIPTION	SYMBOL
		.064	THE TECHNICAL MATERIEL CORP. MAMARONECK, NEW YORK	
		ALUMINUM	DIAL BLANK	
		525-H32		
		G.T.O		
		11/13/52		
		11/14/52		
		5-404 YELLOW IRIDITE		
		MS-179 E		