

IF IT IS FOUND DESIRABLE TO CHANGE ANY TOLERANCE OR OTHER DETAIL SPECIFIED ON THIS DRAWING NOTIFY THE PURCHASER PROMPTLY.

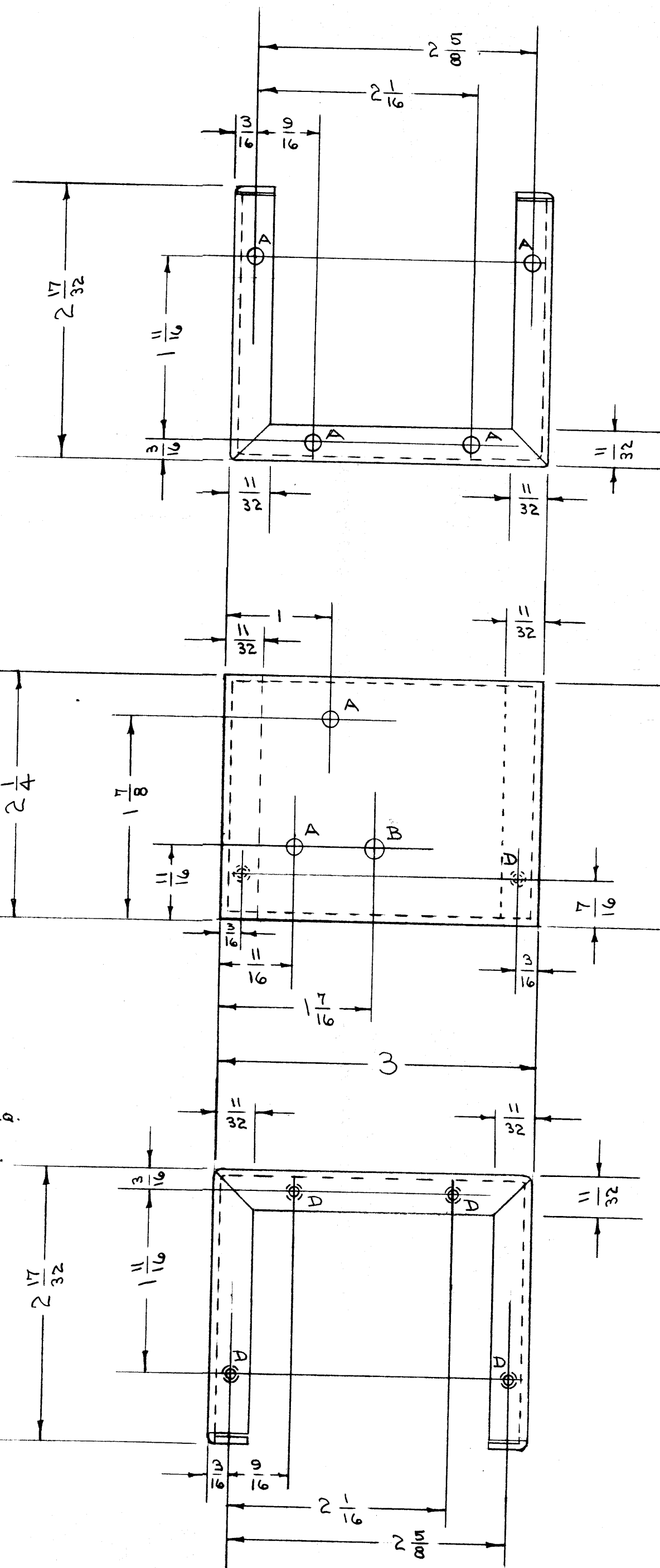
MAXIMUM ALLOWABLE TOLERANCES HAVE BEEN DETERMINED AND DEVIATIONS WILL BE CAUSE FOR REJECTION. REMOVE ALL BURRS AND SHARP EDGES

NOTICE TO PERSONS RECEIVING THIS DRAWING

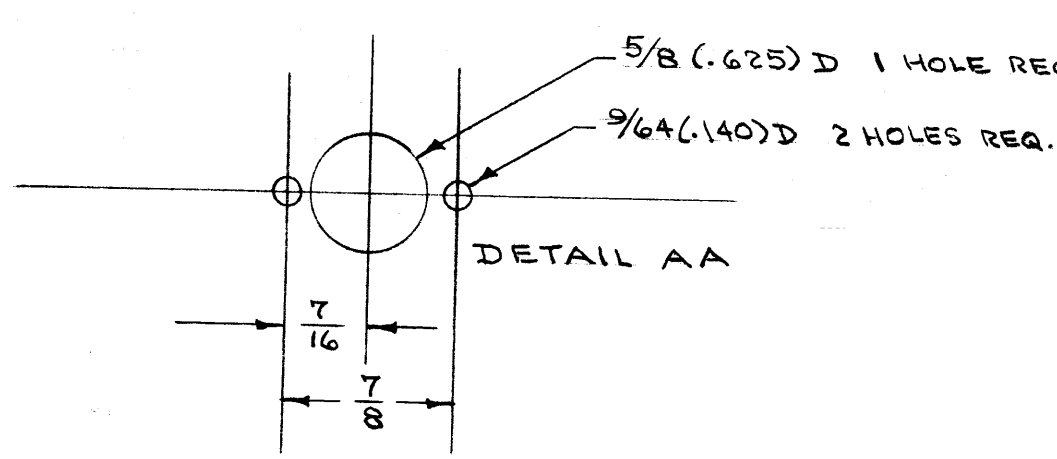
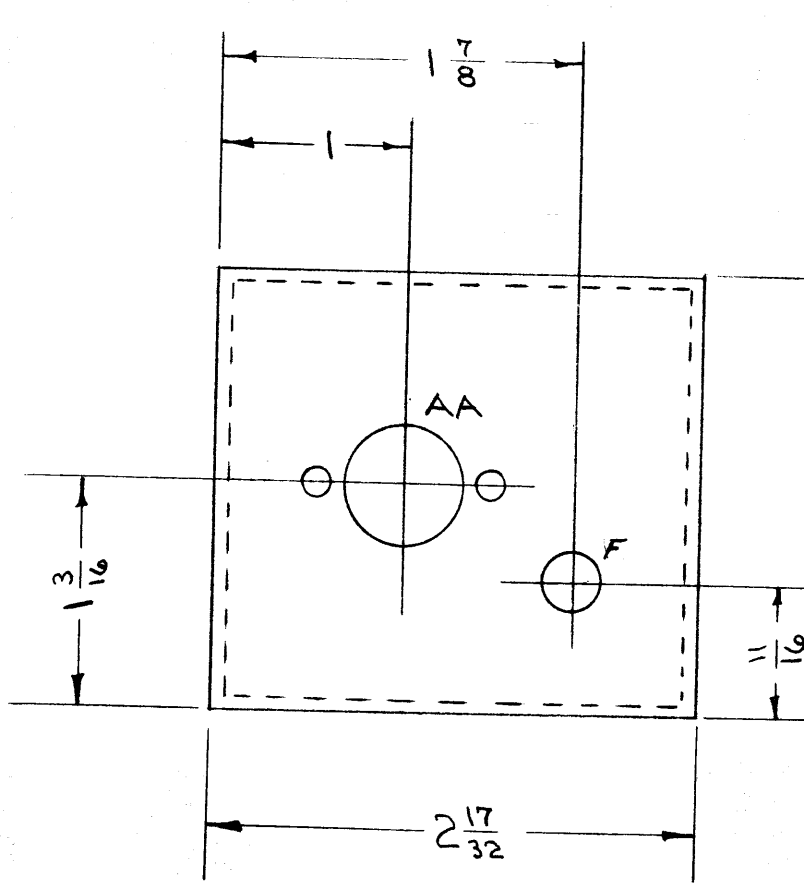
THE TECHNICAL MATERIEL CORPORATION claims proprietary right in the material disclosed hereon. This drawing is issued in confidence for engineering information only and may not be reproduced or used to manufacture anything shown hereon without permission from THE TECHNICAL MATERIEL CORPORATION to the user. This drawing is loaned for mutual assistance and is subject to recall at any time.

Property of:

THE TECHNICAL MATERIEL CORPORATION
MAMARONECK, NEW YORK



- A - $\frac{9}{64}$ (.140) D. 7 HOLES REQ.
- B - $\frac{1}{16}$ (.171) D. 1 HOLE REQ.
- C - $\frac{13}{64}$ (.203) D. 1 HOLE REQ.
- D - EXTRUDE INWARD - TAP FOR 4-40 6 HOLES REQ.
- F - $\frac{3}{8}$ (.375) D. 2 HOLE REQ.



MS-122 B

ISSUE	ITEM	CHANGED FROM	DATE	CN. NO.	DRAFTS	CHECKER	ENG. APP.
B	1	5404-1210ITE WAS 5101-CAUSTIC D10	12-9 59	1071	P		SMN
A	2	F HOLE ADDED	1/22/57	1	P.S.		
	7	F HOLE DELETED					
TOLERANCES							
SCALE: $\frac{1}{16} = 1$							
DRILL, PUNCH, COMMERCIAL STOCK SIZES AND MANUFACTURERS TOLERANCES ARE NOT INCLUDED.							

DMK-A	140	A-154	9-20-52
MODEL	PROJECT NO.	ASSY. NO.	DATE
USED ON			

REQ. ITEM	PART NO.	DESCRIPTION	SYMBOL
	.051	THE TECHNICAL MATERIEL CORP. MAMARONECK, NEW YORK	
	ALUMINUM	CHASSIS.	
	525 H32	DMK-4	
		CD.D. 9-20-53	
		DRAWN	ELEC. DES. APP. MECH. DES. APP.
		CHECKED	FINAL APPROVAL
	5404-1210ITE	SUPERCEDES BMS 051	MS-122 B
		FINISH & SPEC. NO.	