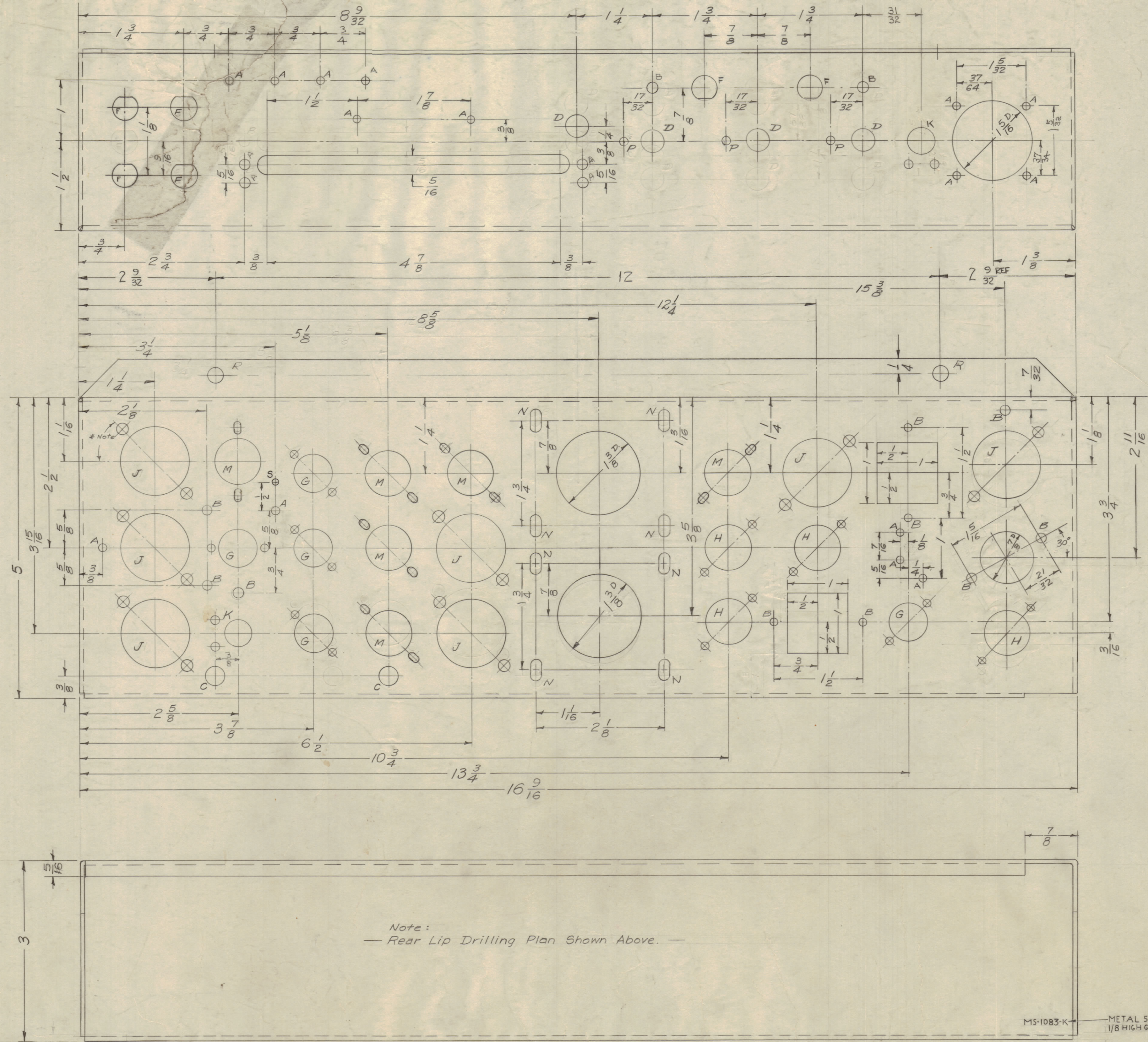
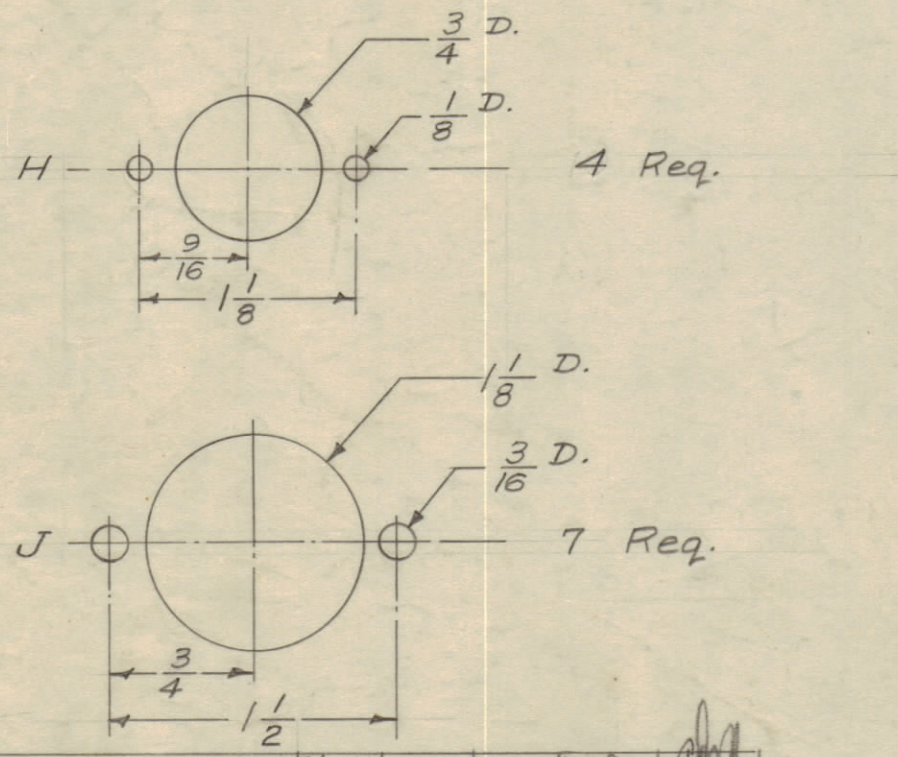
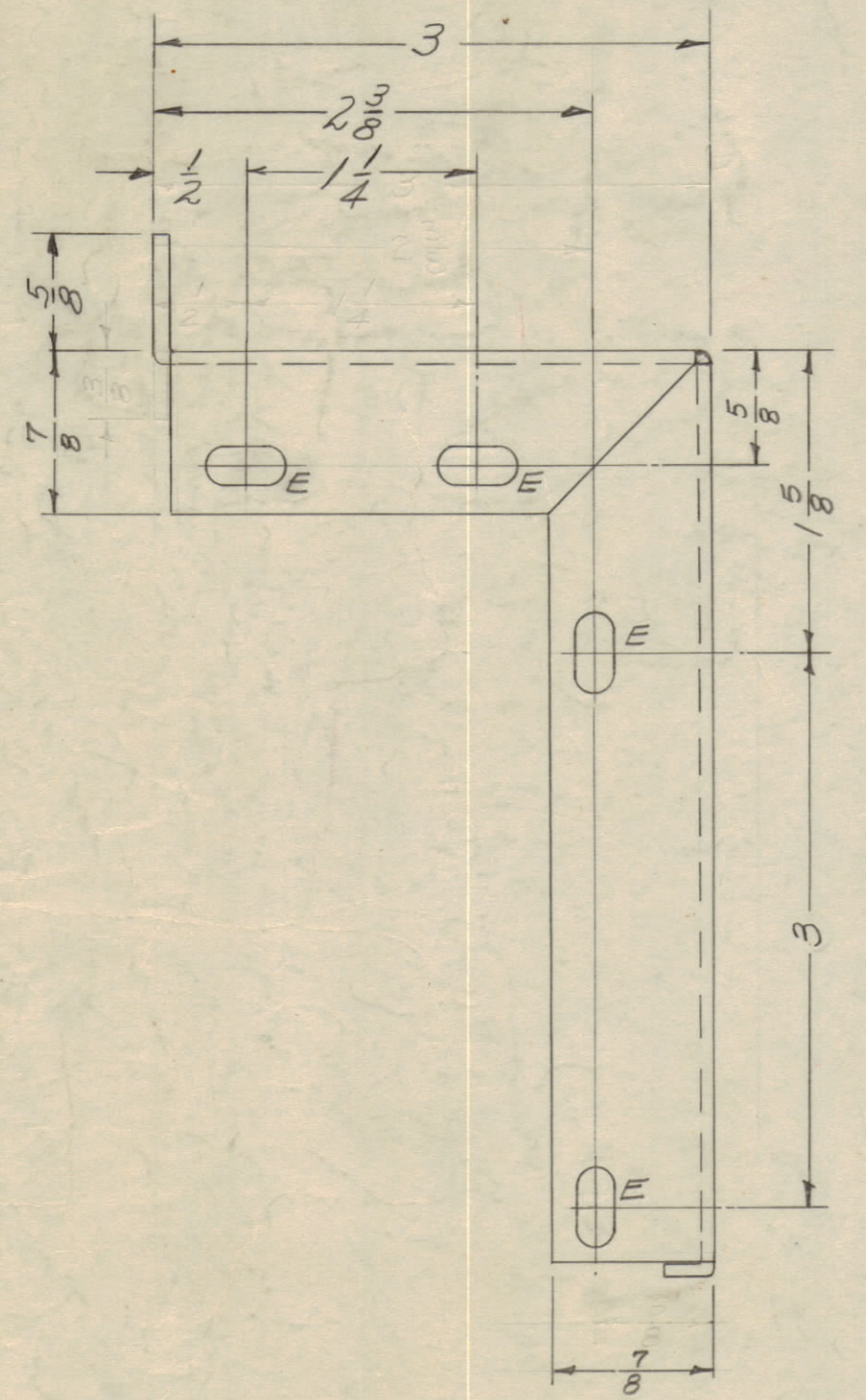
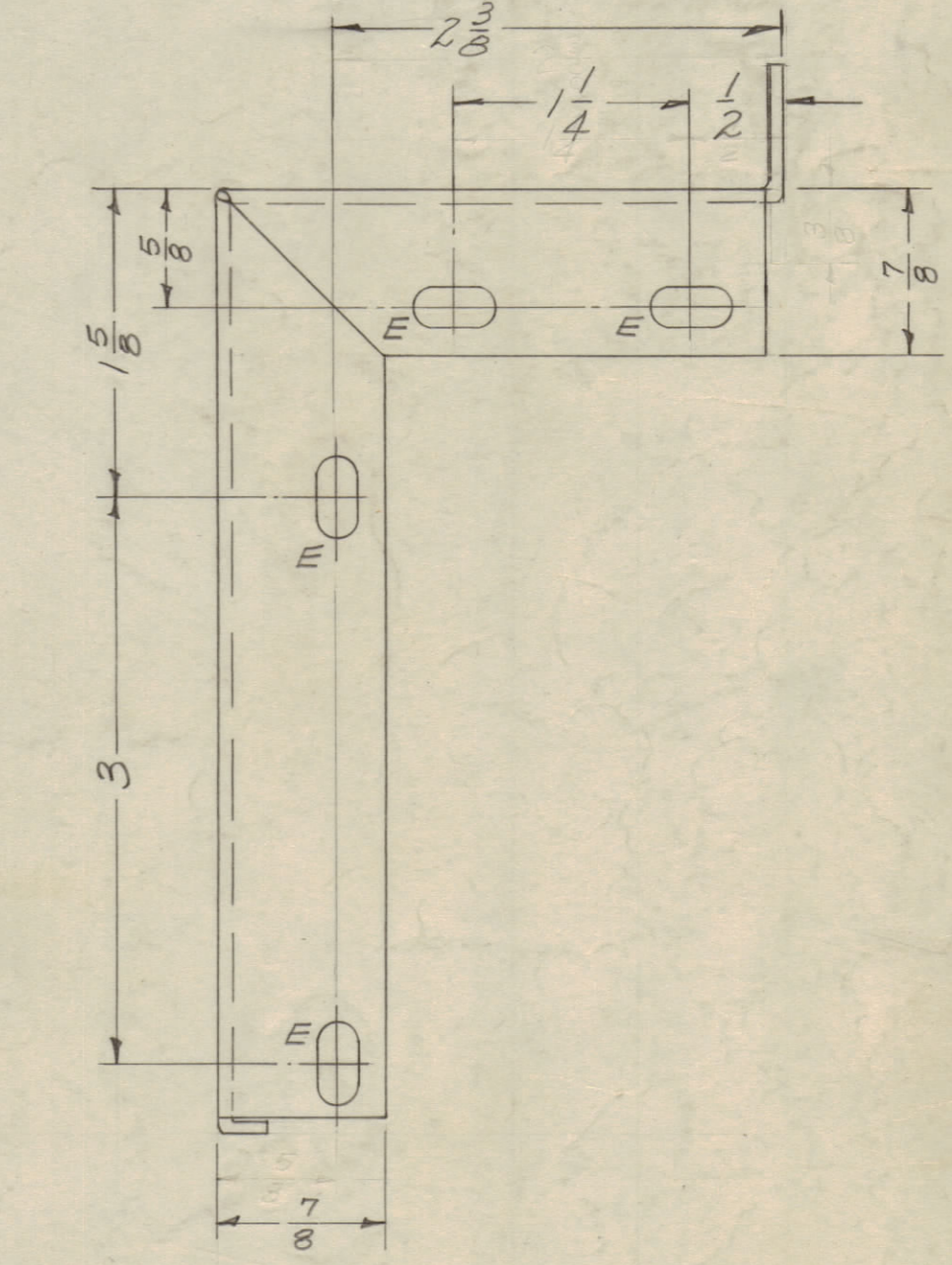


IF IT IS FOUND DESIRABLE TO CHANGE ANY TOLERANCE OR OTHER DETAIL SPECIFIED ON THIS DRAWING NOTIFY THE PURCHASER PROMPTLY.
 MAXIMUM ALLOWABLE TOLERANCES HAVE BEEN DETERMINED AND DEVIATIONS WILL BE CAUSE FOR REJECTION. REMOVE ALL BURRS AND SHARP EDGES

- A - $\frac{1}{8}$ (.125) D. 15 Req.
- B - $\frac{11}{64}$ (.171) D. 16 Req.
- C - $\frac{5}{16}$ (.312) D. 2 Req.
- D - $\frac{3}{8}$ (.375) D. 4 Req.
- E - $\frac{13}{64} \times \frac{13}{32}$ SLOTS - 8 Req.
- F - $\frac{1}{16}$ DIA. $\frac{1}{8}$ DIA. 6 Req.
- G - $\frac{5}{8}$ DIA. $\frac{1}{8}$ DIA. 5 Req.



- K - $\frac{7}{16}$ D. 2 Req.
- M - $\frac{7}{8}$ D. $\frac{1}{8} \times \frac{3}{16}$ SLOTS - 2 Req. 6 Req.
- N - $\frac{11}{64} \times \frac{11}{32}$ SLOTS - 8 Req.
- P - $\frac{9}{64}$ (.140) D. 3 Req.



- R - $\frac{1}{4}$ (.250) D. 2 Req.
- S - #44 DRILL .086 1 Req.

* Note - All Hole Displacements are 45° unless otherwise specified.

Note: Rear Lip Drilling Plan Shown Above.

ISSUE	ITEM	CHANGED FROM	DATE	CN. NO.	DRAFTS	CHECKER	ENG. APP.
E	1	TWO 'A' HOLES ADDED	5/25/57	5	15		
D	3	THREE 'B' HOLES ADDED	9/14/58	4	16		
C	2	ONE 'K' HOLE ADDED	11/1/57	3	15		
B	3	TWO 'F' HOLES ADDED	11/1/57	2	16		
A	2	END HOLES RELOCATED	9/11/57	1	16	28	

ISSUE	ITEM	CHANGED FROM	DATE	CN. NO.	DRAFTS	CHECKER	ENG. APP.
L	1	1" HOLE & LOC. DIM. ADDED (L.P.L.)	2-25-63	18564	96		
K	1	3-5/8 DIM. CLARIFIED (FRONT VIEW CENTER)	4-2-62	6573	52		
J	1	1" HOLE ADDED, 1" HOLE RELOCATED	8/23/61	5476	51		
H	1	5-404 YEL IRIDITE WAS S-101 CAUSTIC DIP	7/15/59	1001	AB		EMN
G	1	2 'F' HOLES ADDED TO REAR LIP	5-13-59	989			
F	1	2 HOLES 3/8 TURNED-IN, ADDED 2 HOLES	11/6/58	445			

MS-1083-K METAL STAMP TMC PT. NO. 1/8 HIGH GOTHIC AS SHOWN

Ref - LD-358 (8)

REQ. PER UNIT	MODEL	PROJECT NO.	ASSY. NO.	DATE	FINISH & SPEC. NO.
1	SAG-2	380	A-1516	5-2-58	
1	SBE-1			6-25-57	

REQ. ITEM	PART NO.	DESCRIPTION	SYMBOL
	.064 thk.	THE TECHNICAL MATERIEL CORP.	
	Aluminum	MAMARONECK, NEW YORK	
	5052-H32	CHASSIS, AUDIO	
	166-25-57	28	QAB
	8-404 YEL IRIDITE	8-993	MS-1083