

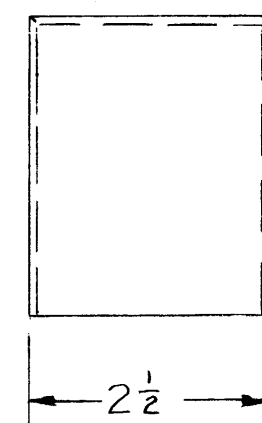
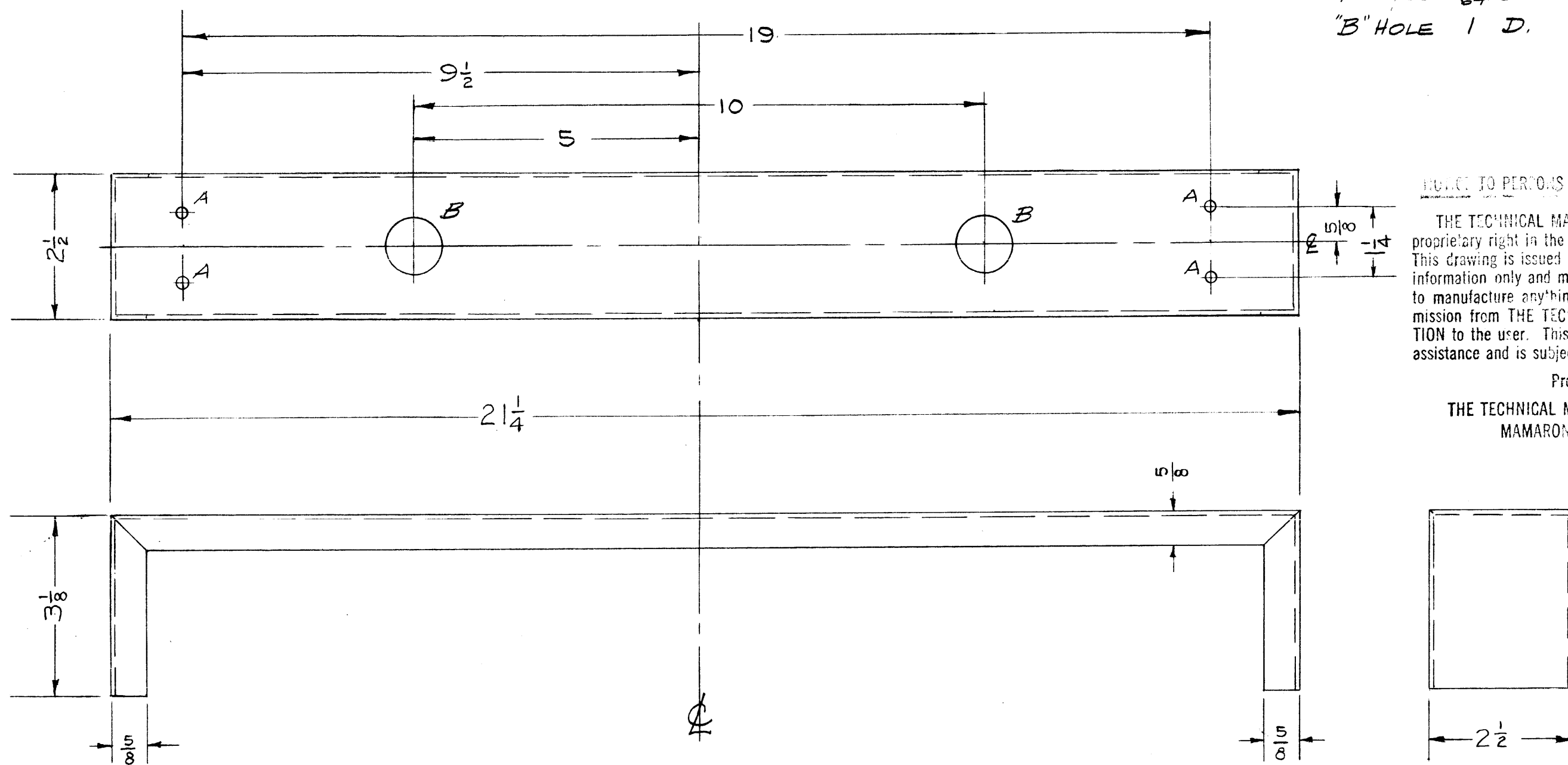
"A" HOLE $\frac{13}{64}$ D. 4 REQ.
 "B" HOLE 1 D. 2 REQ.

NOTICE TO PERSONS RECEIVING THIS DRAWING

THE TECHNICAL MATERIEL CORPORATION claims proprietary right in the material disclosed hereon. This drawing is issued in confidence for engineering information only and may not be reproduced or used to manufacture anything shown hereon without permission from THE TECHNICAL MATERIEL CORPORATION to the user. This drawing is loaned for mutual assistance and is subject to recall at any time.

Property of:

THE TECHNICAL MATERIEL CORPORATION
 MAMARONECK, NEW YORK



ISSUE	ITEM	CHANGED FROM	DATE	CH. NO.	DRAFTS	CHECKER	ENG. APP.
B	1	FINISH WAS S107 LACQUER	6/9/59	—	PJB	HQ	<i>[Signature]</i>
A	1	21 1/4 length was 21 3/8	5/20/57	1	KG	JMS	<i>[Signature]</i>

TOLERANCES
 DEC. DIM. \pm
 FRAC. DIM. \pm
 ANGULAR DIM. \pm

SCALE:
 MAXIMUM ALLOWABLE TOLERANCES HAVE BEEN DETERMINED AND ANY DEVIATIONS WILL BE CAUSE FOR REJECTION.
 REMOVE ALL BURRS AND SHARP EDGES

4	TER-5000	A-1422(B)	4-18-57
REQ. PER UNIT	MODEL	PROJECT NO.	ASS'Y. NO.
USED ON			

REQ. ITEM	PART NO.	DESCRIPTION	SYMBOL
.081		THE TECHNICAL MATERIEL CORP. MAMARONECK, NEW YORK	
ALUMINUM		PEDESTAL, BOTTOM	
		TER-5000	
5052-H32		4-18-57	65-17-57
		DRAWN	CHECKED
		FINAL APPROVAL	
			MS-1041 B