

IF IT IS FOUND DESIRABLE TO CHANGE ANY TOLERANCE OR OTHER DETAIL SPECIFIED ON THIS DRAWING NOTIFY THE PURCHASER PROMPTLY.

MS-10038

MAXIMUM ALLOWABLE TOLERANCES HAVE BEEN DETERMINED AND DEVIATIONS WILL BE CAUSE FOR REJECTION. REMOVE ALL BURRS AND SHARP EDGES

USED ON

MODEL

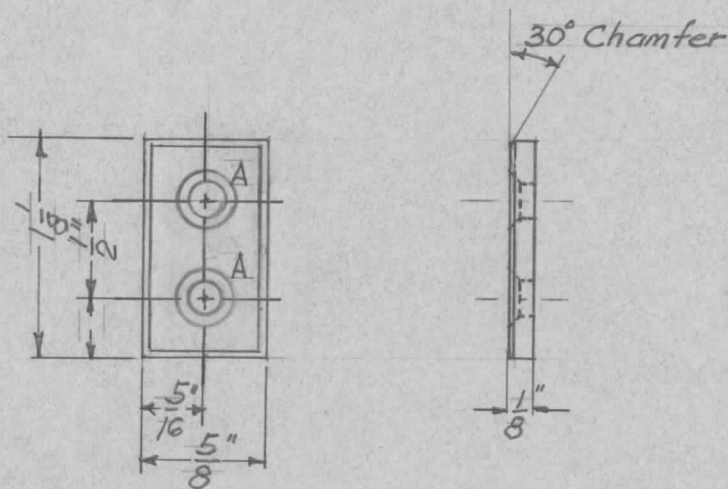
PROJECT NO.

ASS'Y. NO.

DATE

10028

25-5-54



NOTICE TO PERSONS RECEIVING THIS DRAWING

THE TECHNICAL MATERIEL CORPORATION claims proprietary right in the material disclosed hereon. This drawing is issued in confidence for engineering information only and may not be reproduced or used to manufacture anything shown hereon without permission from THE TECHNICAL MATERIEL CORPORATION to the user. This drawing is loaned for mutual assistance and is subject to recall at any time.

Property of:

THE TECHNICAL MATERIEL CORPORATION  
MAMARONECK, NEW YORK

A - #19 DRILL & CSK FOR 8-32 F.H.  
MACHINE SCREW.

REQ.	ITEM	PART NO.	DESCRIPTION	SYMBOL
	1/8" SHEET		TMC (Canada) LIMITED OTTAWA ONTARIO	
	STOCK SIZE		WASHER FOR RECORD	
	ALUMINUM		PLAYER CN/SIH 601/2	
	MATERIAL	WEIGHT PER PC.	J.R.H.	
	ALCAN 575-1/2 HARD		DRAWN	ELEC. DES. APP. MECH. DES. APP.
	TYPE & TEMPER		CHECKED	FINAL APPROVAL
	HEAT TREAT. SPEC.			
	TMC SPEC. S-114			MS-10038
	FINISH & SPEC. NO.			

ISSUE	ITEM	CHANGED FROM	DATE	CN. NO.	DRAFTS	CHECKER	ENG. APP.
TOLERANCES			SCALE				
ALL OTHERS	DEC. DIM. ±	DRILL, PUNCH, COMMERCIAL STOCK SIZES AND MANUFACTURERS TOLERANCES ARE NOT INCLUDED.					
	FRAC. DIM. ±						
	ANGULAR DIM. ±						