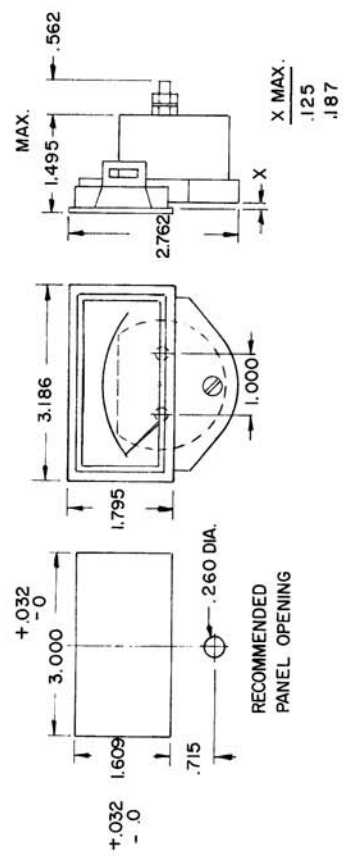
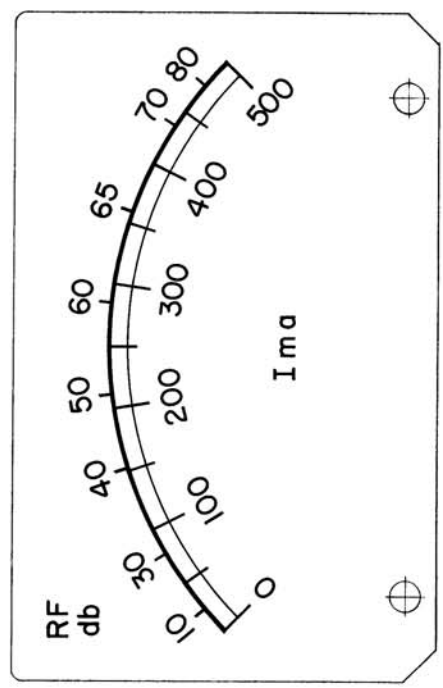


EMN NO	DRAFT	CHKD	ZONE	LTR	DESCRIPTION	DATE	APPROVED
	3				ORIGINAL RELEASE FOR PRODUCTION	9/27/72	

REVISIONS



SPECIFICATIONS

RANGE - 1 MA RESISTANCE - 100

REQ'D ITEM	PART NUMBER	DESCRIPTION	SYM.
LIST OF MATERIAL			
THE TECHNICAL MATERIEL CORP. MAMARONECK, NEW YORK			
METER, MILLIAMP			
SIZE		CODE IDENT. NO.	DWG NO.
B		82679	MR 231
SCALE 2:1		SHEET 1 OF 1	
UNLESS OTHERWISE SPECIFIED	DATE	DATE	DATE
AND INCLUDE CHEMICALLY APPLIED	<i>O.R.</i>	<i>[Signature]</i>	<i>[Signature]</i>
OR PLATED FINISHES	MECH. DES.	ELECT. DES.	CHECKED
DECIMALS	FRACTIONS	TOLS.	ANGLES
.X ± .05	1/64	.XX ± .01	0°-30'
.XXX ± .005			
MATERIAL	GE		
FINISH			
QTY / UNIT	MODEL USED ON	ASSY NO.	
	APPLICATION		
	CODE		

5401-

NOTICE TO PERSONS RECEIVING THIS DRAWING

THE TECHNICAL MATERIEL CORPORATION claims proprietary right in the material disclosed hereon. This drawing is issued in confidence for engineering information only and the disclosure of its contents to other persons without the written permission of THE TECHNICAL MATERIEL CORPORATION is prohibited. This drawing is loaned for mutual assistance and is subject to recall at any time.