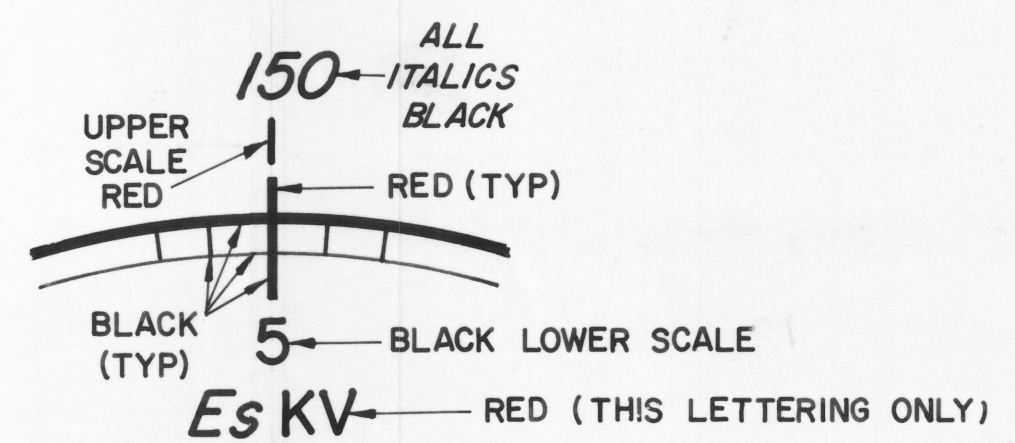
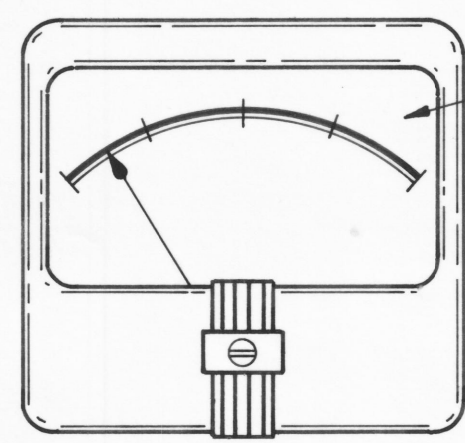
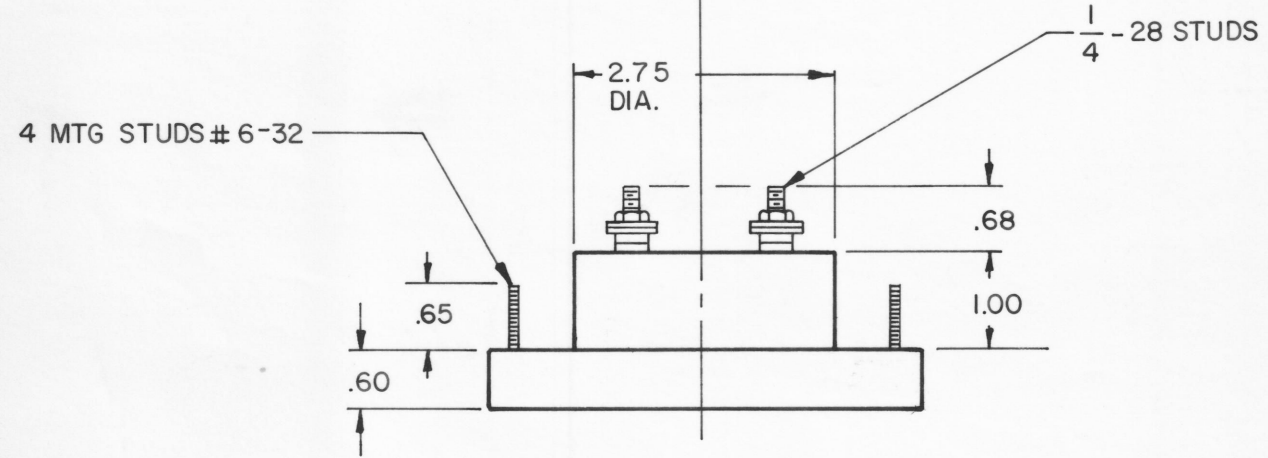
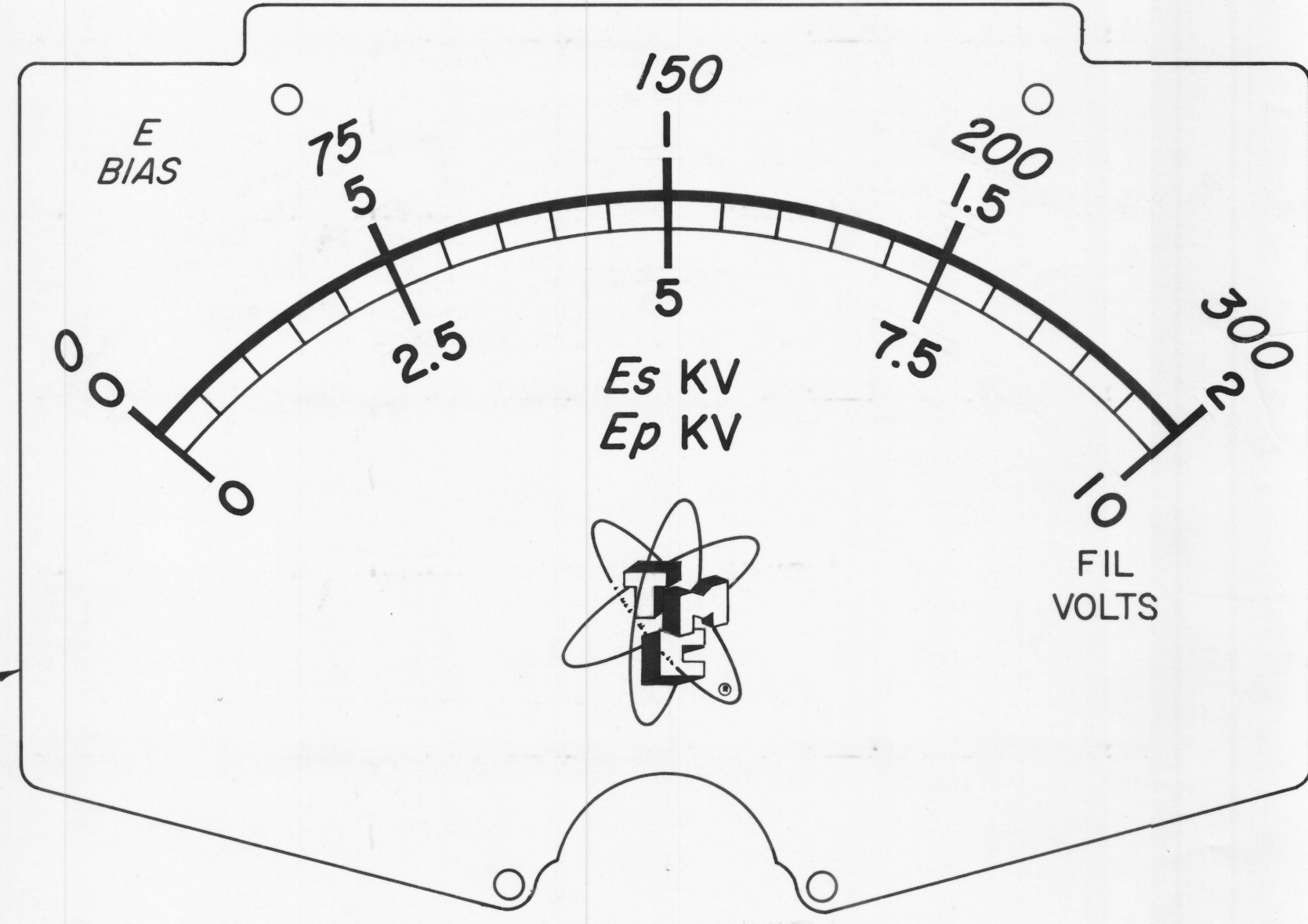
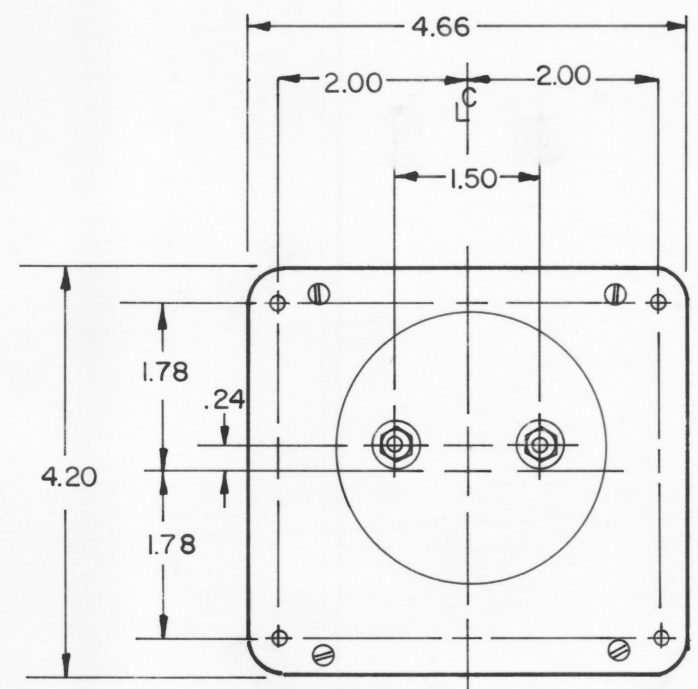


REVISIONS							
E.M.N.NO	DRAFT	CHKD	ZONE	LTR	DESCRIPTION	DATE	APPROVED
	CL			Ø	ORIGINAL RELEASE FOR PRODUCTION	6-16-75	



SCALE 2:1

NOTES
CASE STANDARD COMMERCIAL
RECTANGULAR 4 1/2
FINISH GLOSSY BLACK
MOVEMENT - 0-1 MILLI-AMPS
APPROX. RESISTANCE - 46 OHMS
POINTER SPADE TYPE
HARDWARE TWO FLAT WASHERS
& TWO 1/4-28 HEX
NUTS FOR TERMINALS. FOUR LOCK-
WASHERS & FOUR 6-32 HEX NUTS
FOR MOUNTING SUPPLIED BY MFG

INSERT TMC INSIGNIA IMMEDIATELY
BELOW EpKV CENTERED TO
BOTTOM APPROX.

QTY / UNIT	MODEL USED ON	ASS'Y NO.
1	HET ()-10K	KIT 372
APPLICATION		
CODE		
NOTICE TO PERSONS RECEIVING THIS DRAWING THE TECHNICAL MATERIEL CORPORATION claims proprietary right in the material disclosed hereon. This drawing is issued in confidence for engineering information only and may not be reproduced or used to manufacture anything shown hereon without permission from THE TECHNICAL MATERIEL CORPORATION to the user. This drawing is loaned for mutual assistance and is subject to recall at any time.		

QTY. REQ.	ITEM	PART NO.	DESCRIPTION	SYMBOL
REF. MR 121				
F. BUDETTI RE. LIST OF MATERIAL				
FINAL APPROVAL		DATE	THE TECHNICAL MATERIEL CORP.	
MECH. DES.		DATE	MAMARONECK, NEW YORK	
ELECT. DES.		DATE	VOLTMETER DC	
CHECKED		DATE		
DRAWN		DATE		
MATERIAL		SIZE		CODE IDENT NO.
FINISH		C		82679
		DWG NO.		MR 218
		ISSUE		Ø
		SCALE		SHEET OF

MR 218