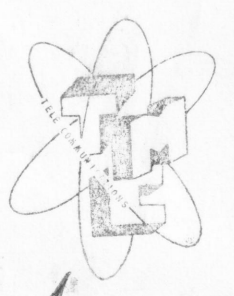
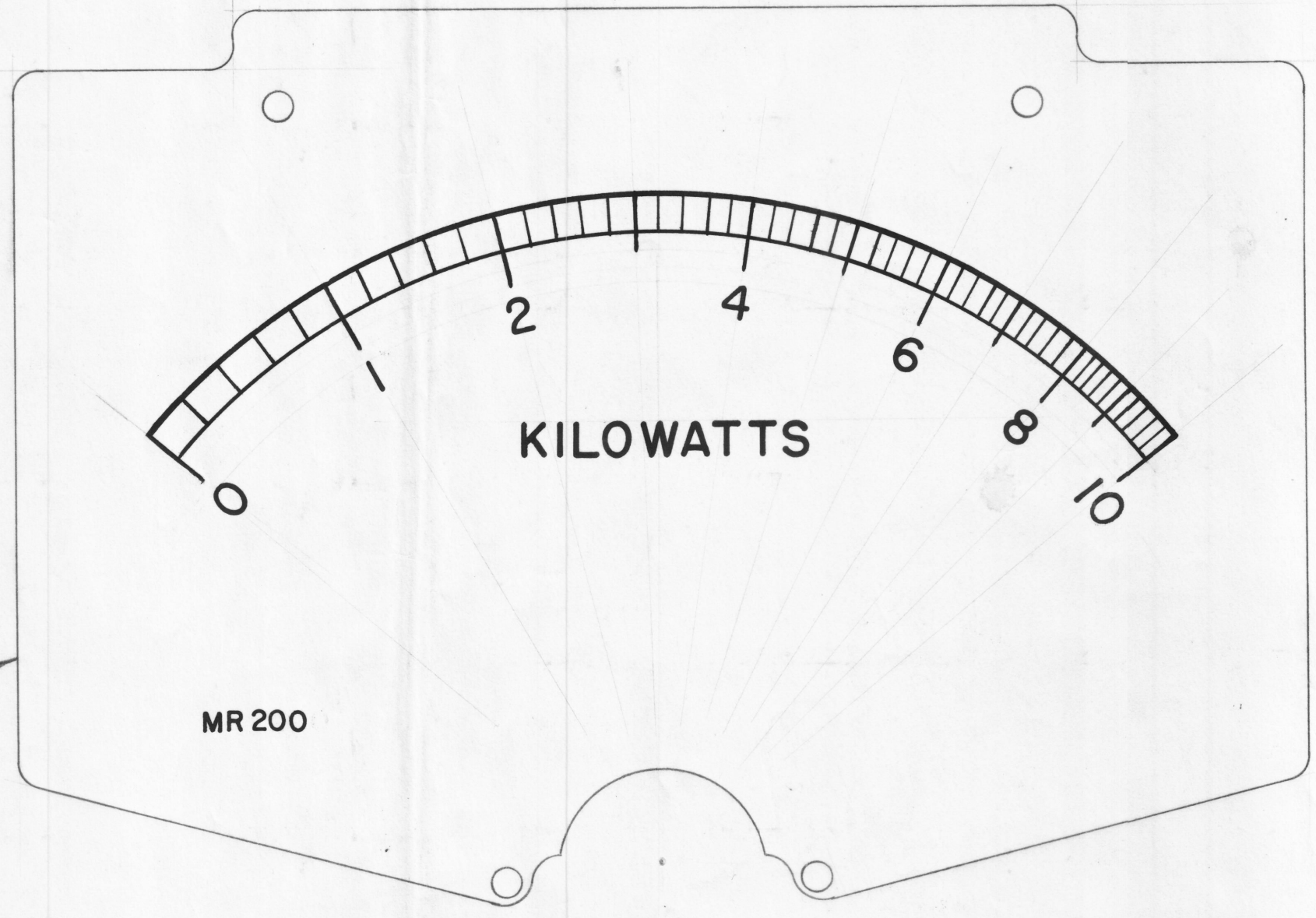
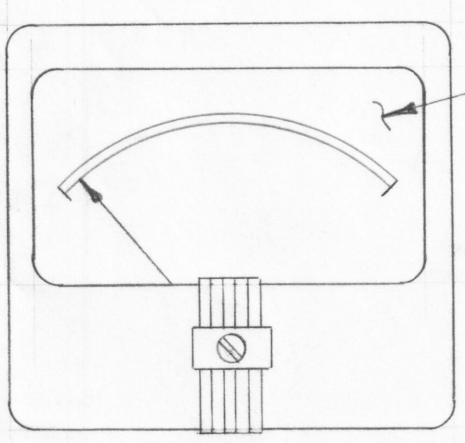
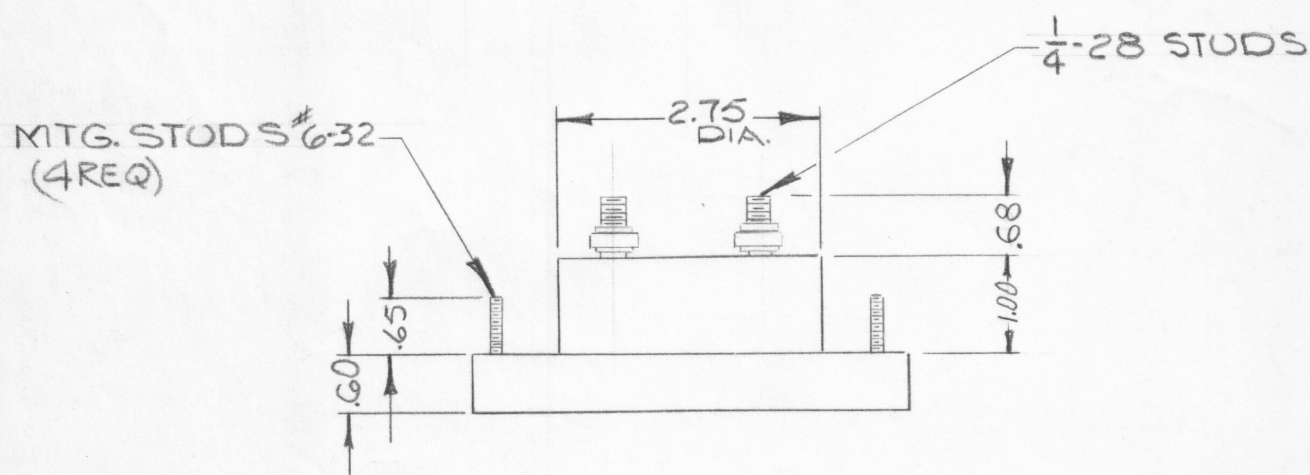
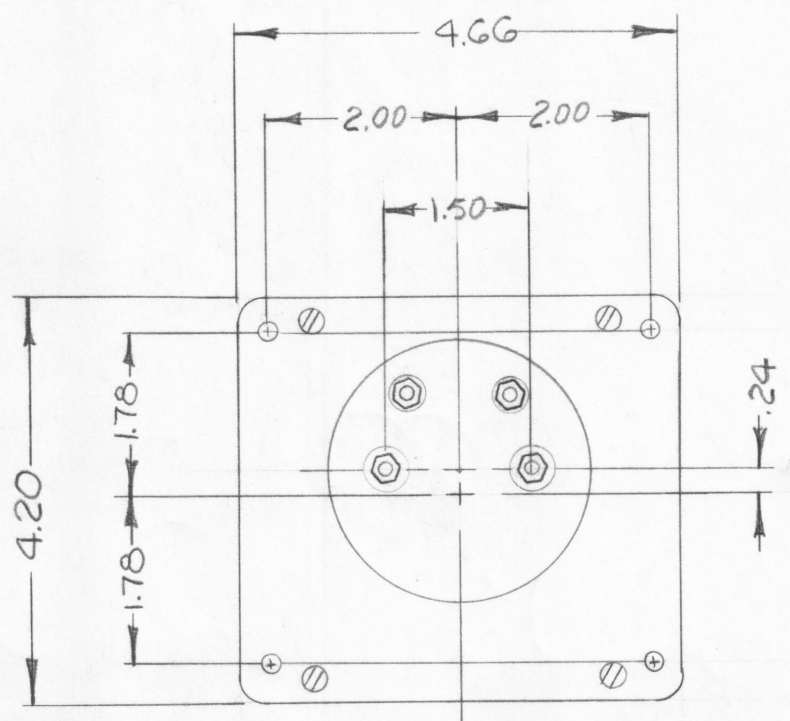


REVISIONS						
ZONE	LTR	DESCRIPTION	DATE	E.M.N.NO	DRAFT	CHKD APPD
	X	EXP RELEASE	10-18-67			
	Ø	ORIGINAL RELEASE FOR PRODUCTION	4.16.68	Ø		



INSERT TMC INSIGNIA (NP 117) BELOW THE WORD KILOWATTS, CENTERED TO BOTTOM
 ALL LETTERS, NUMERALS, MAJOR AND MINOR CALIBRATION POINTS, AND INSIGNIA ARE TO BE IN BLACK.

NOTES:
 CASE: STANDARD COMMERCIAL 4-1/2 RECTANGULAR
 FINISH: GLOSSY BLACK
 MOVEMENT: 0-50 MICROAMPS
 APPROX. RESISTANCE 2000 OHMS
 POINTER: SPADE TYPE
 HARDWARE: TWO FLAT WASHERS AND TWO 1/4-28 HEX NUTS FOR TERMINALS.
 FOUR LOCKWASHERS AND FOUR 6-32 HEX NUTS FOR MOUNTING, SUPPLIED BY MFG.

I	BCTIOKA	AX682
QTY / UNIT	MODEL USED ON	ASS'Y NO.
APPLICATION		
CODE	5401-44 (17-29)	

NOTICE TO PERSONS RECEIVING THIS DRAWING
 THE TECHNICAL MATERIEL CORPORATION claims proprietary right in the material disclosed hereon. This drawing is issued in confidence for engineering information only and may not be reproduced or used to manufacture anything shown hereon without permission from THE TECHNICAL MATERIEL CORPORATION to the user. This drawing is loaned for mutual assistance and is subject to recall at any time.

UNLESS OTHERWISE SPECIFIED DIMENSIONS ARE IN INCHES AND INCLUDE CHEMICALLY APPLIED OR PLATED FINISHES

TOLERANCES ON
 DECIMALS .X ± .05
 .XX ± .015
 .XXX ± .005
 FRACTIONS ± 1/64
 ANGLES ± 0° -30'

MATERIAL

FINISH SEE NOTE

QTY. REQ.	ITEM	PART NO.	BUDETTI DESCRIPTION	SYMBOL
F. BUDETTI LIST OF MATERIAL				
FINAL APPROVAL		DATE	THE TECHNICAL MATERIEL CORP.	
MECH. DES.		DATE	MAMARONECK, NEW YORK	
ELECT. DES.		DATE	MICROAMMETER	
CHECKED		DATE		
DRAWN		DATE		
SIZE	CODE IDENT. NO.	DWG NO.	ISSUE	
C	82679	MR 200	Ø	
SCALE 2:1			SHEET 1 OF 1	