

IF IT IS FOUND DESIRABLE TO CHANGE ANY TOLERANCE OR OTHER DETAIL SPECIFIED ON THIS DRAWING NOTIFY THE PURCHASER PROMPTLY.

STANDARD DRAWING

MR10001

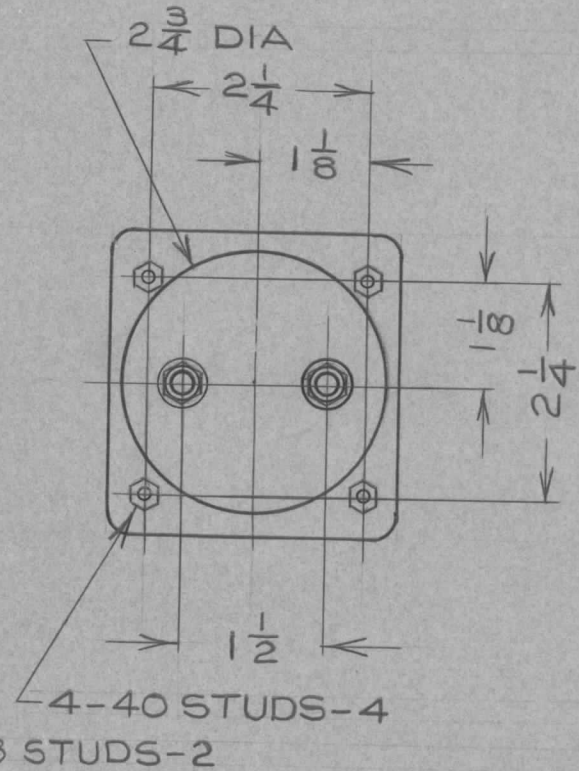
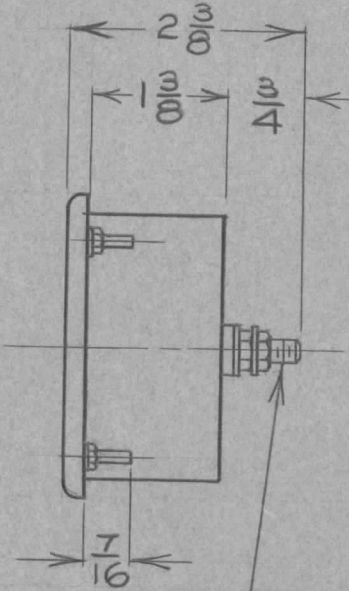
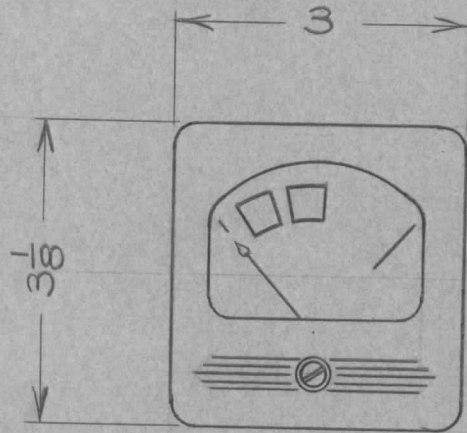
MAXIMUM ALLOWABLE TOLERANCES HAVE BEEN DETERMINED AND DEVIATIONS WILL BE CAUSE FOR REJECTION. REMOVE ALL BURRS AND SHARP EDGES

USED ON

MODEL	PROJECT NO.	ASS'Y. NO.	DATE
-------	-------------	------------	------

AMCG-5 CE646

MAY 26
1959



REF: BACH-SIMPSON
MODEL 27
0-25 UA
SPEC 2E3-10
SPECIAL 2 COLOR SCALE
(SEE DWG NP10027)

REQ.	ITEM	PART NO.	DESCRIPTION	SYMBOL
			TMC (Canada) LIMITED OTTAWA ONTARIO	
STOCK SIZE				
			METER	
			0-25 UA	
			DCM	
			DRAWN	ELEC. DES. APP. <i>M. G.</i> MECH. DES. APP. <i>1/28/59</i>
			CHECKED	FINAL APPROVAL
			MR10001	

ISSUE	ITEM	CHANGED FROM	DATE	CN. NO.	DRAFTS	CHECKER	ENG. APP.
-------	------	--------------	------	---------	--------	---------	-----------

TOLERANCES

SCALE 1:2

DRILL, PUNCH, COMMERCIAL STOCK
SIZES AND MANUFACTURERS
TOLERANCES ARE NOT INCLUDED.

ALL
OTHERS

DEC. DIM. ± —
FRAC. DIM. ± —
ANGULAR DIM. ± —