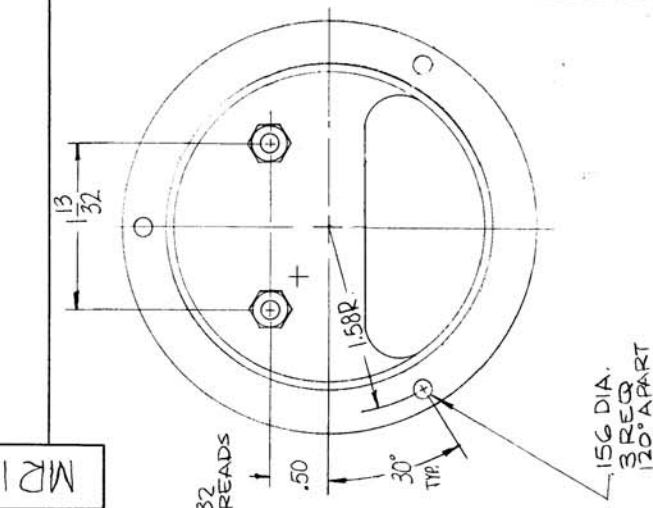


BYN		DESCRIPTION		REVISIONS		DATE	E.M.N. NO.	DRAFT	CHGD	APPRO
X		EXP. RELEASE				7-22-64		LAK		
0		ORIGINAL RELEASE FOR PRODUCTION				7-30-67		LAK		
A		SCALE WAS 0-25 & 0-100				4-14-67	18110	LAK		

MR197



KNIFE EDGE, BACK POINTER.

ZERO ADJUST

**SPECIFICATIONS**

TYPE: DC

METER MOVEMENT: PIVOT & JEWEL

DESCRIPTION: DC EXTERNAL MAGNET

CASE: 3-1/2 DIA BAKELITE

RANGE: 30 MICROAMPS

INTERNAL RESISTANCE: 1400 OHMS  $\pm 5\%$  @25°C

POINTER: KNIFE EDGE ALL BLACK

TERMINALS: #8-32 SCREW TERM (2)

**NOTES:**

BALANCE REQUIREMENT AT ZERO MARK  $\pm 1\%$  (EQUIVALENT TO 1/4 OF FIRST DIVISION AT ZERO MARK)

ACCURACY  $\pm 2\%$  OF F.S.

REPEATABILITY TO BE  $\pm 1\%$

SCALE MUST BE 100 DEGREES

REQD.	ITEM	PART NUMBER	DESCRIPTION	SYMBOL
	F. BUDETTI			
<b>LIST OF MATERIAL</b>				
THE TECHNICAL MATERIEL CORP. MAMARONECK, NEW YORK				
<b>TITLE</b>				
METER,				
<b>DATE</b>				
DRAWN: [Signature] DATE: 12-22-66				
CHECKED: [Signature] DATE: 1-23-67				
ELECT. DES: [Signature] DATE: 1-23-67				
MECH. DES: [Signature] DATE: 1-23-67				
FINAL APPROVAL: [Signature] DATE: 1/30/67				
<b>REV. LTR.</b>				
MR197 - A				

QTY./UNIT	MODEL USED ON	ASBY. NO.
1	SWRA-1K	
SCALE	CODE	401-164 (208002)

THE CONTENTS OF THIS DRAWING ARE THE EXCLUSIVE PROPERTY OF THE TECHNICAL MATERIEL CORP. ITS UNAUTHORIZED USE OR REPRODUCTION IN WHOLE OR IN PART IS STRICTLY FORBIDDEN.

**NOTES**