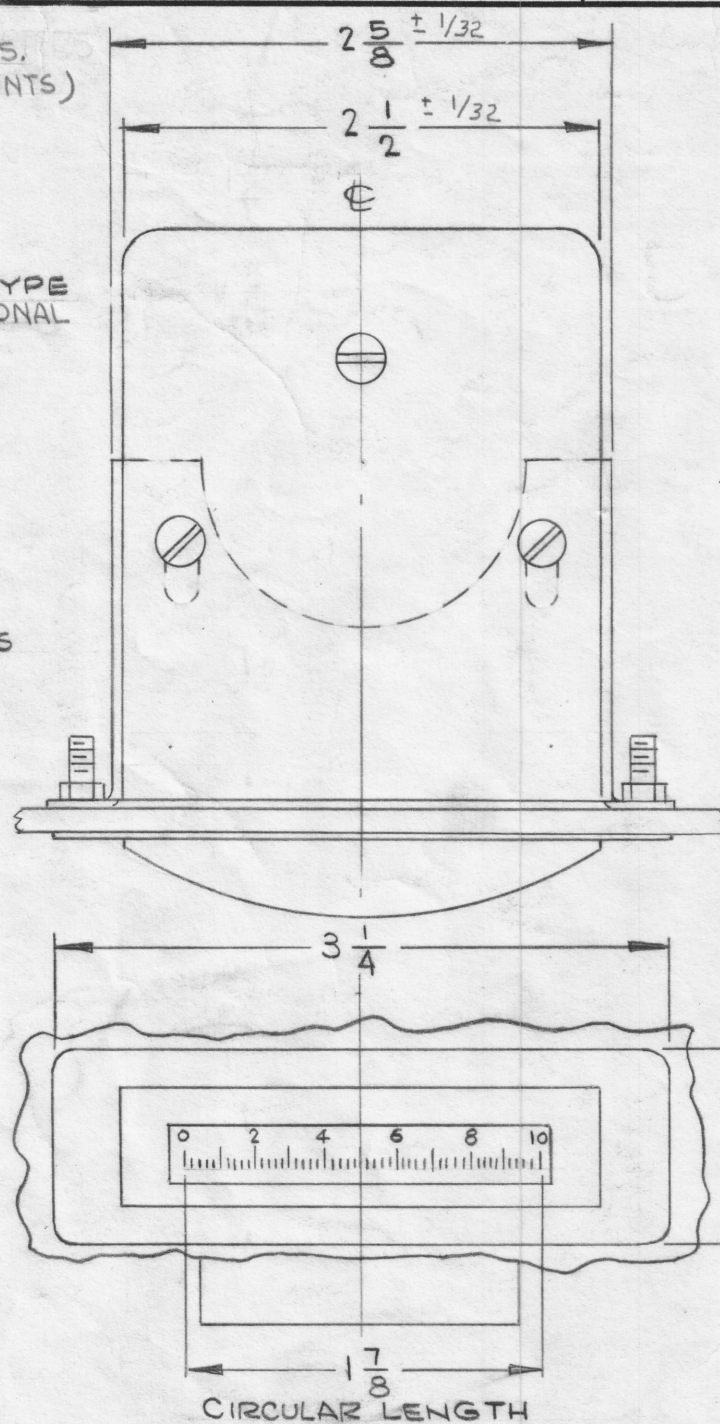
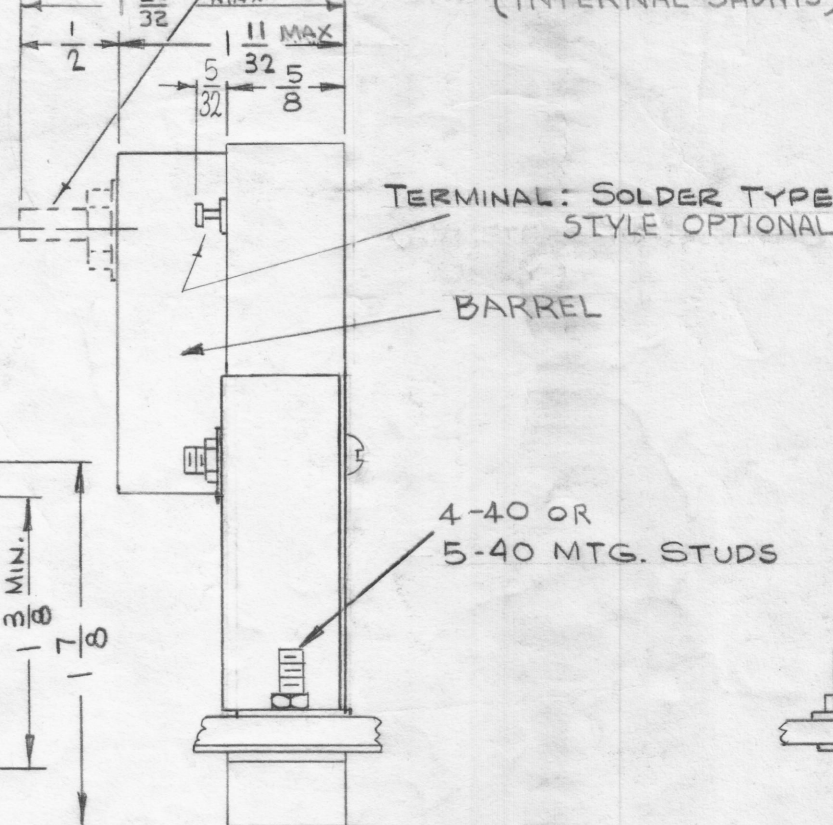
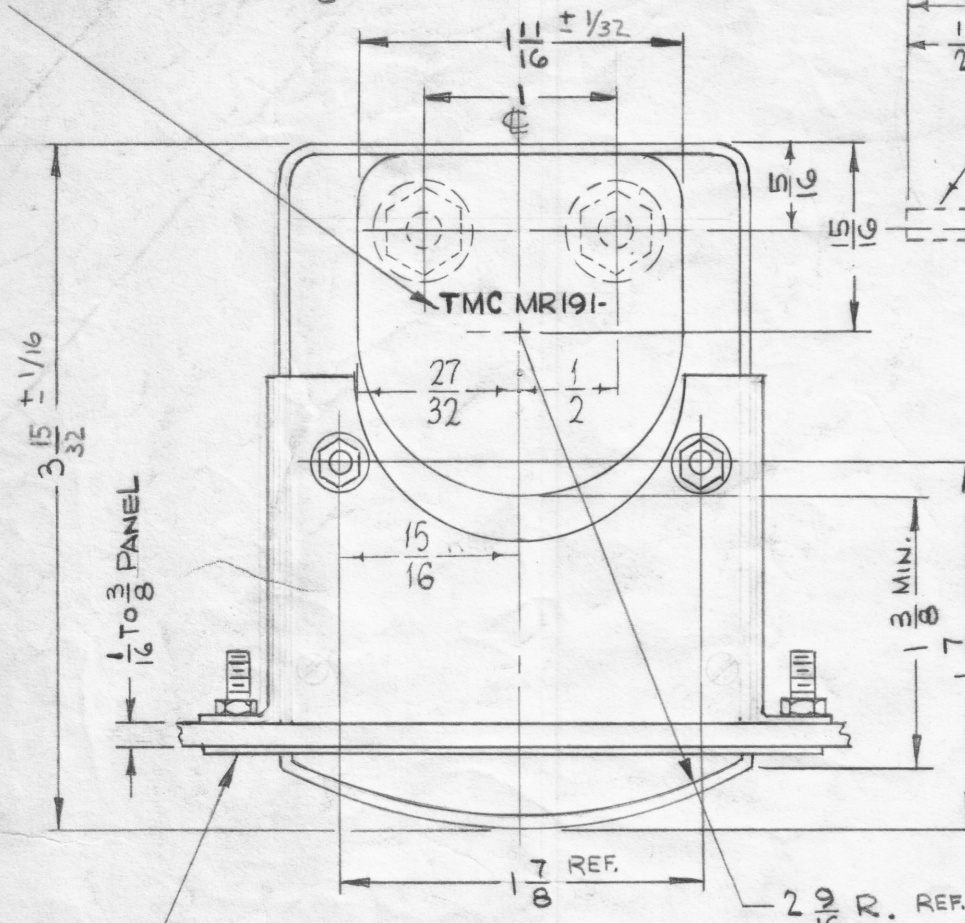


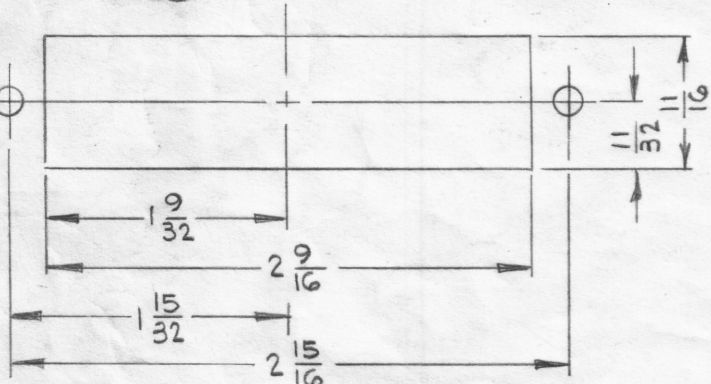
STAMP TMC PART No. $\frac{1}{8}$ HIGH GOTHIC AS SHOWN.

10-32 STUDS MAY BE USED ONLY ON AMPERMETERS EXCEEDING 1 AMPERE F.S. (INTERNAL SHUNTS)



BEZEL, BRACKET & MTG. HARDWARE SUPPLIED BY MFG.
BEZEL: METAL OR PLASTIC, BLACK

#26 (.147) DRILL THRU
2 HOLES



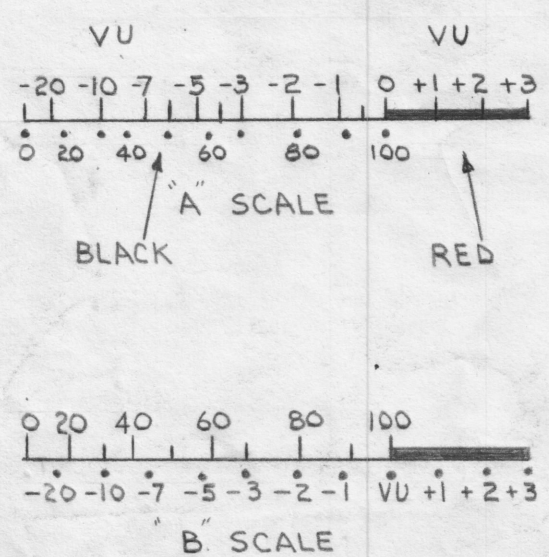
MOUNTING DIMENSIONS IN PANEL

NOTE: DIM. OF BARREL ARE REF. SHAPE MAY BE OPTIONAL.

REVISIONS						
ZONE	SYM	DESCRIPTION	DATE	E.M.N. NO.	DRAFT	CHKD
	Ø	ORIGINAL RELEASE FOR PRODUCTION	3/24/65	-	HLA	
A		SPEC. TERM. NOTE CLARIFIED, MR191-5, REPLACES COLL. NO.	6/1/65	14220		OCB
B		-6 & -7 ADDED PIN CHART	5/18/66	16261	WJD	OCB
C		ADD "NOTES" COL. ADD NOTE 1 ON OVERSHOOT. ON -6 FULL SCALE DEFLEC. WAS 50-0-50, RES. WAS 1100, ADD EPI-C	9-20-66	16850	RME	OCB
D		MR191-9 ADDED	8-15-67	18444		OCB
E		MR191-10 ADDED	12-20-67	18558		OCB
F		ADDED MR191-11	3/5/68	18754		OCB
G		ADDED MR191-12	4/13/68	18855		OCB
H		MR191-13 & MR191-14 ADDED	1/3/69	19179		OCB
J		MR191-15 ADD.	1/30/70	19732		OCB

MFG. MODEL 1522
TYPE: PANEL EDGEWISE
APPLICATION: SEE CHART
SCALE DATA:
1. RANGE: SEE CHART
2. GRADUATION: LINEAR ± 3%
3. SCALE LENGTH: 1-7/8
ACCURACY: ± 2% OF FULL SCALE, DC; ± 3% OF FULL SCALE, AC & VU.
FULL SCALE DEFLECTION: SEE CHART
RESISTANCE: SEE CHART ± 15%
POINTER: LANCE RED
MOVEMENT: CORE MAGNET (SELF SHIELDING)
CASE DATA: DUST PROOF MOLDED LUCITE
SCALE: BLACK NUMBERS ON WHITE BACKGROUND. TAN BACKGROUND ON VUMETERS
TERMINALS: SOLDER OR STUD (SEE PICT.)
REPEATABILITY: ± 2%
POSITION ERROR (BALANCE): ± 2%
DAMPING FACTOR: 2.5 MIN.
RESPONSE TIME: 1.5 SEC. MAX.
OVERLOAD CAPACITY @ 1 SEC: 10 X RATED VALUE
FRICTION: ± 1%
TEMP. INFLUENCE (@ 10°C CHANGE IN TEMP) ± 1%
VUMETERS: MODEL 1542
REF: 1 MILLIWATT INTO 600Ω LINE.

PART NO.	FULL SCALE DEFLECTION	± 15% * RESISTANCE	SCALE RANGE	MFG. TYPE	REPLACES	NOTES
MR191-1	0-50μ AMPS	1800Ω	TMC No. LD1831-1	4570		
MR191-2	0-100μ AMPS	1100Ω	TMC No. LD1831-2	4580		
MR191-3	0-100μ AMPS	1100Ω	0-100μ AMPS	4580	MR189	
MR191-4	0-1.0 AMP	.05Ω	0-1.0 AMP	3387	MR190	
MR191-5	0-25 μ AMP	3150 Ω	0-10 (SEE PICT.)	4560	MR185	
MR191-6	25-0-25 μ AMP	2000 ± 5% *	TMC NO. LD2085	EPI-C 4580		1
MR191-7	0-1.5 AMP	.033Ω	0-1.5 AMPS	EPI-C		
MR191-8	A SCALE	3900 Ω	A SCALE	10500		
MR191-9	0-50 μ AMPS	1800Ω	TMC NO. LD2231	4570		
MR191-10	0-50 μ AMPS	1800Ω	TMC No. LD2258	4570		
MR191-11	0-50 μ AMPS	1800Ω	TMC NO. LD2295	4570		
MR191-12	0-50 μ AMPS	1800Ω	TMC NO. LD2308	4570		
MR 191-13	50-0-50 MAMPS	1.0 Ω	TMC NO. LD2339-1	EPI-C		
MR 191-14	50-0-50 MAMPS	1.0 Ω	TMC NO. LD2339-2	EPI-C		
MR 191-15	500-0-500 μ AMPS	100 Ω	500-0-500	EPI-C		



NOTES: 1 WITH 12.5μA APPLIED (+10 ON METER SCALE) THE OVERSHOOT SHALL NOT BE GREATER THAN 15 OR LESS THAN 12 ON THE SCALE. SOURCE IMPEDANCE SHALL NOT BE LESS THAN 500K.

STANDARD DRAWING

REQ'D.	ITEM	PART NUMBER	DESCRIPTION	SYMBOL
LIST OF MATERIAL				
MATERIAL				
FINISH				
UNLESS OTHERWISE SPECIFIED DIMENSIONS ARE IN INCHES AND INCLUDE CHEMICALLY APPLIED OR PLATED FINISHES				
DECIMALS ± .01				
FRACTIONS ± 1/64 ANGLES ± 0° 30'				
TOLERANCES				

Q'TY./UNIT	MODEL USED ON	ASS'Y. NO.
1	LRCM-1	
1	LRCC-1	
SCALE	CODE	
#	C	A S-401-44 B S-401-432

NOTES

THE CONTENTS OF THIS DRAWING ARE THE EXCLUSIVE PROPERTY OF THE TECHNICAL MATERIEL CORP. ITS UNAUTHORIZED USE OR REPRODUCTION IN WHOLE OR IN PART IS STRICTLY FORBIDDEN.

THE TECHNICAL MATERIEL CORP. MAMARONECK, NEW YORK			
TITLE METER, PANEL 2 1/2" EDGEWISE			
DRAWN	DATE	FINAL APPROVAL	DATE
H. AUSTIN	3-23-65	[Signature]	3/24/65
CHECKED	DATE		
OCB	3/24/65		
ELECT. DES.	DATE		
MECH. DES.	DATE		

MR191