

REVISIONS

BY	DATE	E.M.N. NO.	DRAFT	CHKD	APPD
Ø	10-27-64	Ø	Ø		

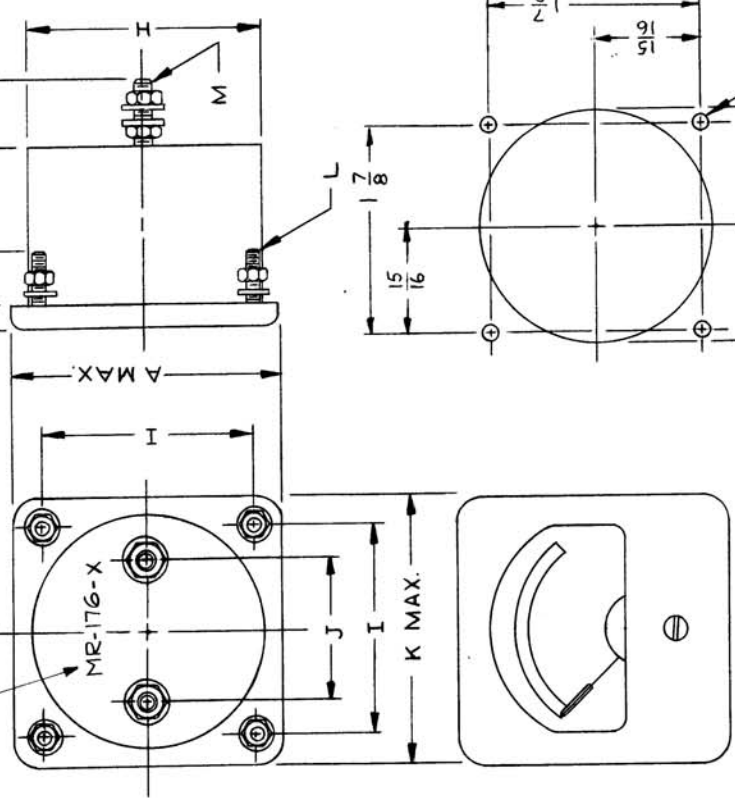
ORIGINAL RELEASE FOR PRODUCTION

MR-176

L - (4) 4-40 STUDS, (4) FLAT WASHERS, (4) NUTS.
 M - (2) 1/4 - 28 STUDS, (4) FLAT WASHERS, (4) NUTS

TMC PART NUMBER	RESISTANCE	DIMENSIONS							F. S. DEFL.	SCALE	
		A	B	C	D	F MAX.	H	I			J
MR-176-1	75-Ω ± 50%	2.37	.20	.145	.53	2.17	1.875	1.31	2.37	0-1 MA ± 2%	SEE LD-1443

TMC PART NUMBER TO BE 1/8 HIGH WHITE GOTHIC, ON REAR. WITH LATEST REV. LETTER



SPECIFICATIONS

TYPE: PANEL
 CIRCUIT APPLICATION: D. C.
 CASE DATA:
 (A) MATERIAL: PHENOLIC
 (B) COLOR + FINISH: BLACK CASE, MATTE FRONT
 POINTER TYPE: KNIFE EDGE
 SCALE DATA:
 (A) SCALE LENGTH: 21/2"
 MARKING:
 1. TMC INSIGNIA TO BE PRINTED ON DIAL FACE.
 2. TMC PART NO. TO BE PRINTED ON DIAL FACE.
 3. MFG. NOMENCLATURE MUST NOT APPEAR ON DIAL FACE.
 4. SEE CHART FOR SPECIFIC SCALE, LD PRINT ACCESSORIES: ALL HARDWARE SUPPLIED BY MFG.

LIST OF MATERIAL

REQ. D.	ITEM	PART NUMBER	DESCRIPTION	SYMB	L
	GELLMAN				
MATERIAL					
FINISH					
TITLE					
THE TECHNICAL MATERIEL CORP. MAMARONECK, NEW YORK					
METER, D.C., MILLIAMP					
DRAWN					
DATE					
FINISH APPROVAL					
DATE					
CHECKED					
DATE					
ELECT. DES.					
DATE					
MECH. DES.					
DATE					
SHEET					
MR-176					
REV. LTR.					
Ø					

1 (125) DIA. HOLE (4-PLACES)

QTY./UNIT	MODEL USED ON	ASBY. NO.
1	BPS(-) - 1	
SCALE	CODE	
	C	5401-44

DRILL PANEL FOR SQUARE CASE.

NOTES

THE CONTENTS OF THIS DRAWING ARE THE EXCLUSIVE PROPERTY OF THE TECHNICAL MATERIEL CORP. ITS UNAUTHORIZED USE OR REPRODUCTION IN WHOLE OR IN PART IS STRICTLY FORBIDDEN.