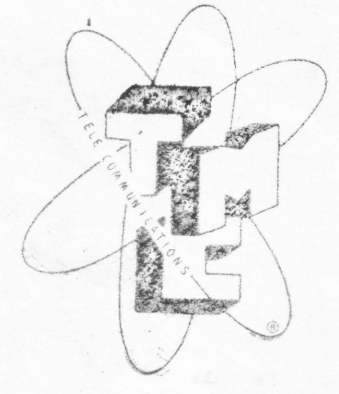
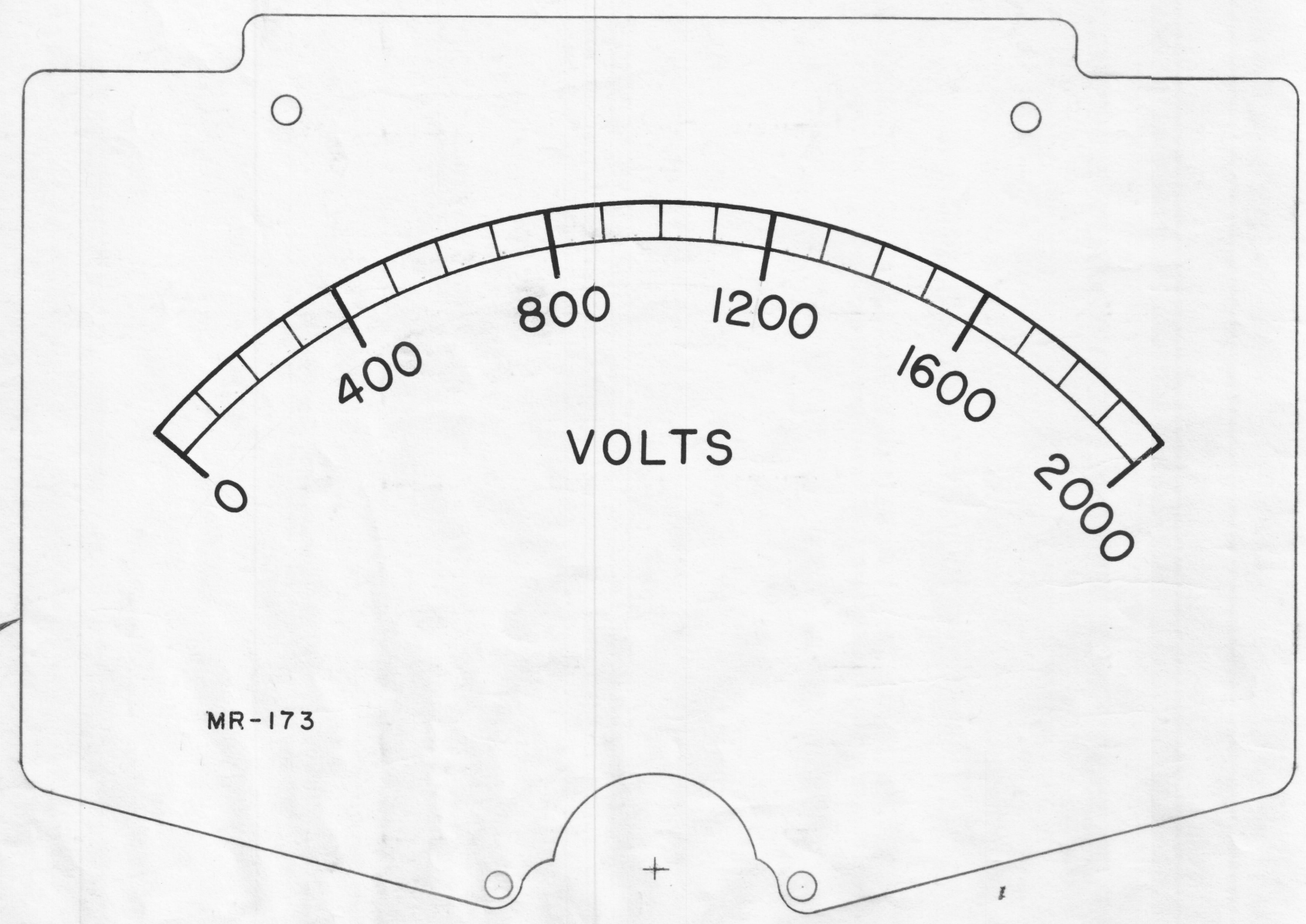
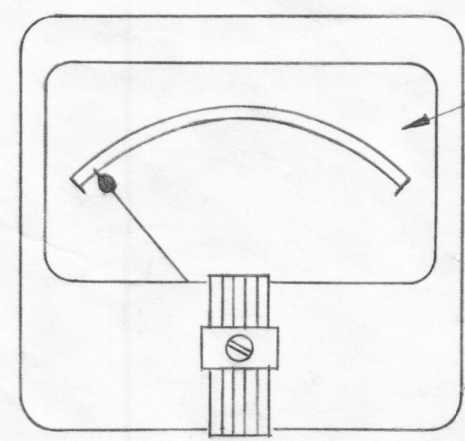
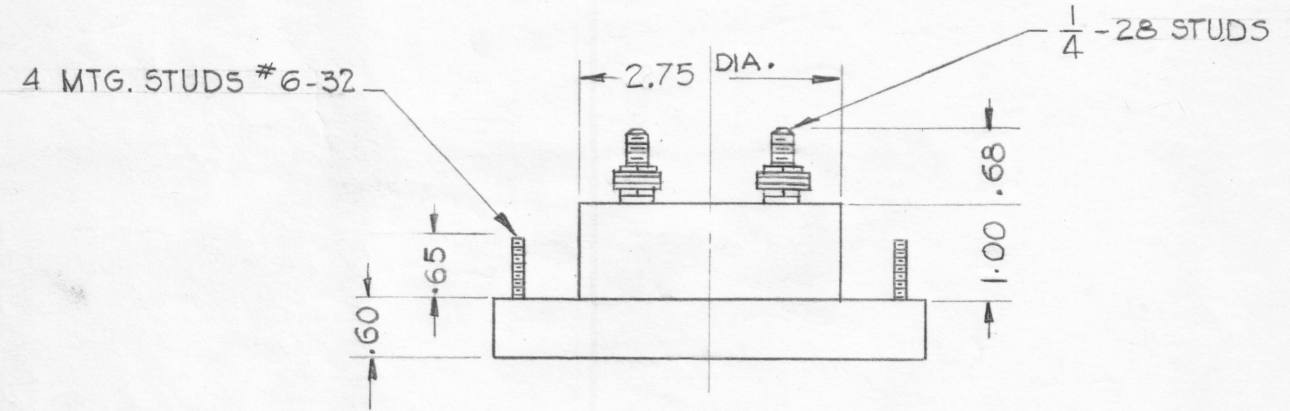
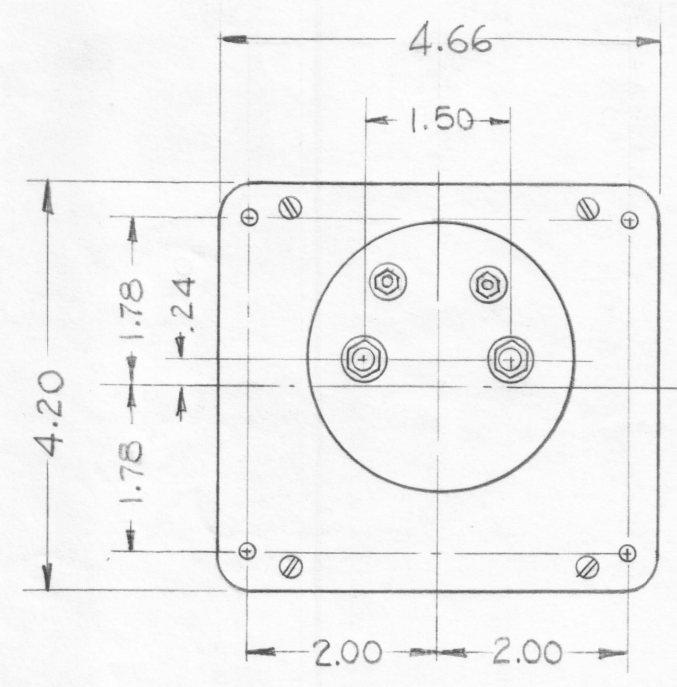


REVISIONS							
ZONE	SYM	DESCRIPTION	DATE	E.M.N. NO.	DRAFT	CHKD	APPD
	Ø	ORIGINAL RELEASE FOR PRODUCTION	2-18-66	M	Jc		Hg



"A"

INSERT TMC INSIGNIA (NP117) IMMEDIATELY BELOW WORD "VOLTS" CENTERED TO BOTTOM.



SCALE 2X

THIS METER DIAL FACE HAS BEEN DRAWN TO SCALE (2X)  
 THE ORIGINAL ARTWORK SHOULD BE SUPPLIED BY TMC  
 FOR PHOTOGRAPHING  
 ALL LETTERING, LINEWORK & TMC INSIGNIA SHALL BE IN BLACK.

CASE - STANDARD COMMERCIAL RECTANGULAR 4 1/2"  
 FINISH - GLOSSY BLACK  
 MOVEMENT - 0-1 MILLI-AMPS  
 APPROX. RESISTANCE - 46 OHMS  
 POINTER - SPADE TYPE  
 HARDWARE - TWO FLAT WASHERS AND TWO 1/4-28  
 HEX NUTS FOR TERMINALS.  
 FOUR LOCKWASHERS AND FOUR 6-32 HEX NUTS  
 FOR MOUNTING SUPPLIED BY MFG.

NOTES

1	GPT-10K LF	
Q'TY./UNIT	MODEL USED ON	ASS'Y. NO.
1:2		S401-44(17-29)

THE CONTENTS OF THIS DRAWING ARE THE EXCLUSIVE PROPERTY OF THE TECHNICAL MATERIEL CORP. ITS UNAUTHORIZED USE OR REPRODUCTION IN WHOLE OR IN PART IS STRICTLY FORBIDDEN.

REQ'D.	ITEM	PART NUMBER	O. POSE	DESCRIPTION	SYMBOL
BUDETTI LIST OF MATERIAL					
MATERIAL			THE TECHNICAL MATERIEL CORP. MAMARONECK, NEW YORK		
FINISH			TITLE VOLTMETER, DC, FINAL SCREEN		
DRAWN G.D.L		DATE 7-30-63	FINAL APPROVAL		DATE 2/14/64
CHECKED		DATE 6-24-65	DATE		DATE
ELECT. DES.		DATE	MR-173		Ø
MECH. DES.		DATE	SHEET		REV. LTR.

MR-173