

7

6

5

4

3

2

1

H

G

F

E

D

C

B

A

H

G

F

E

D

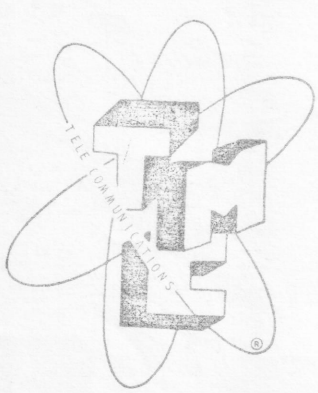
C

B

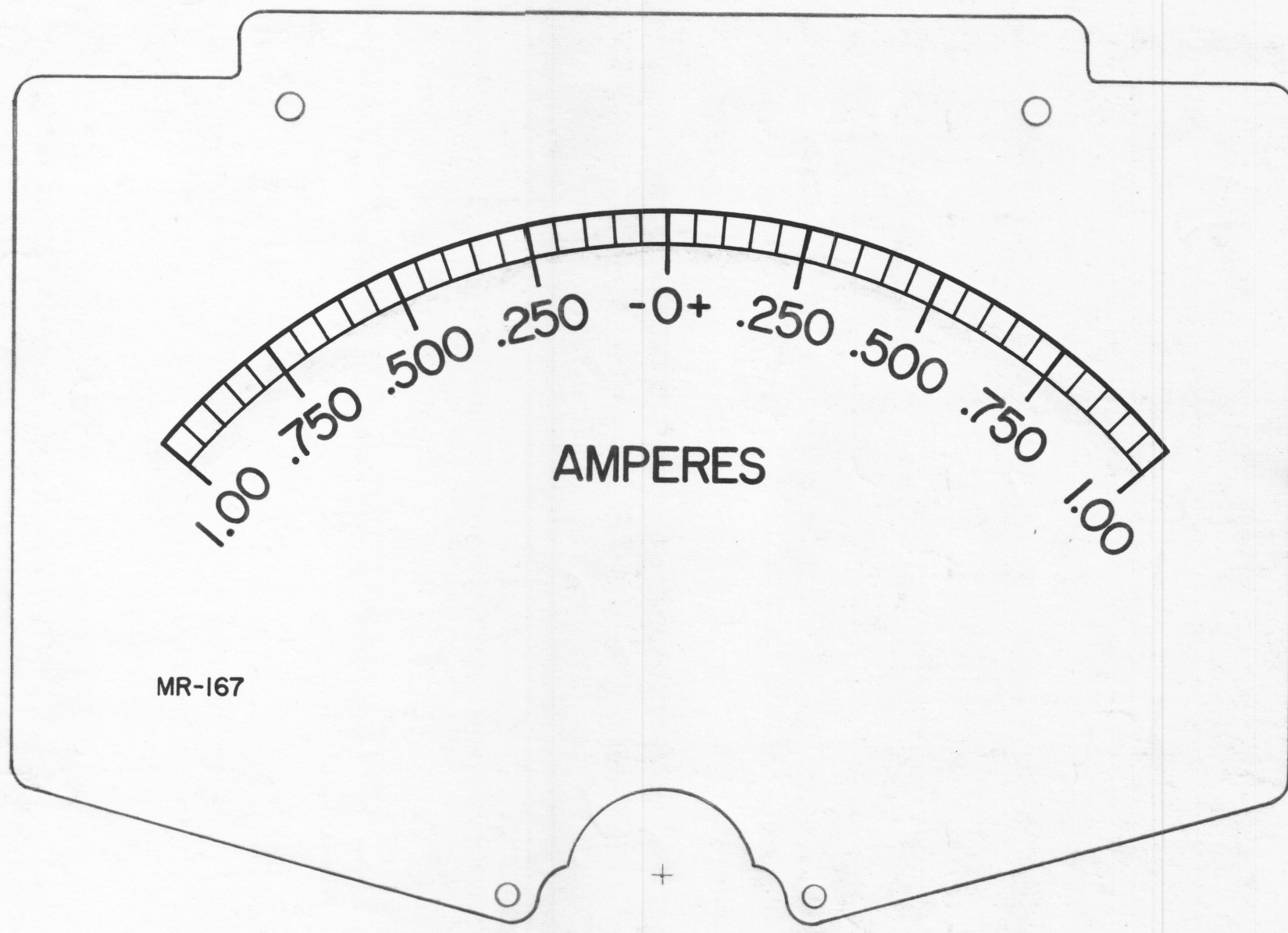
A

REVISIONS

ZONE	SYM	DESCRIPTION	DATE	E.M.N. NO.	DRAFT	CHKD	APPD
0		ORIGINAL RELEASE FOR PROD	5/12/64				

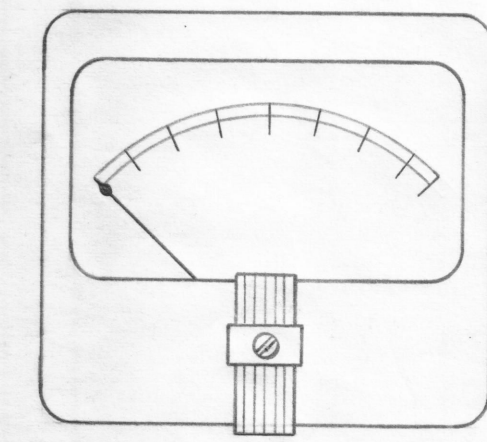
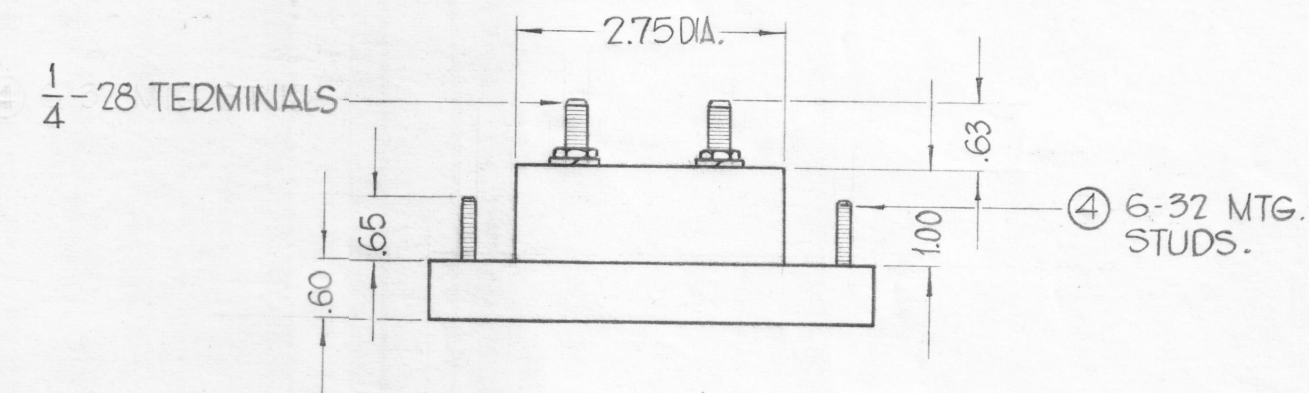
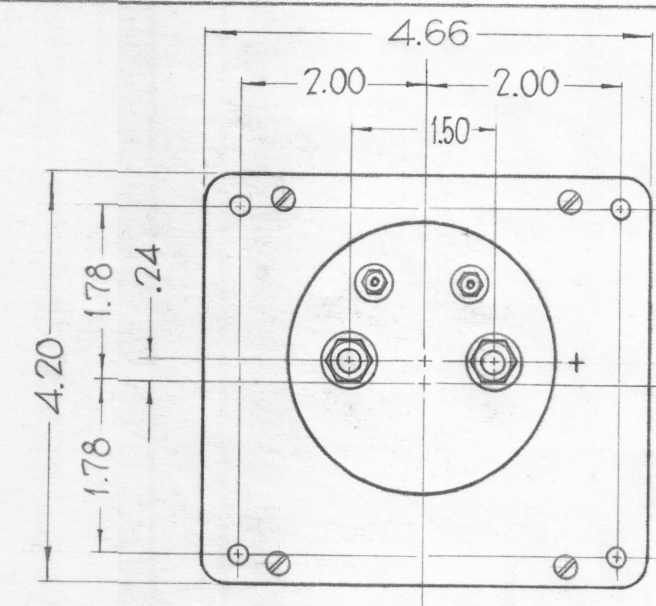


INSERT TMC INSIGNIA,
(ND-117) IMMEDIATELY
BELOW WORD "AMPERES"
CENTERED TO BOTTOM.



SCALE = 2X

ORIGINAL ARTWORK TO BE SUPPLIED BY TMC
FOR PHOTOGRAPHING (SCALE AS NOTED)



MD-167 0

CASE - STANDARD COMMERCIAL RECTANGULAR 4-1/2".
FINISH - GLOSSY BLACK.
MOVEMENT - 1.0 - 0 - 1.0 AMPERES DC
APPROXIMATE RESISTANCE - 1 Ω
POINTED - SPADE TYPE.

HARDWARE - ② LOCKWASHERS, ② 1/4-28 HEXAGON NUTS FOR
TERMINALS. ④ LOCKWASHERS, ④ 6-32 HEXAGON NUTS
FOR MOUNTING.
(SUPPLIED BY MFG.)

2	GPT-200K	AM-119, 120
Q'TY./UNIT	MODEL USED ON	ASS'Y. NO.
SCALE	CODE	
	A	

THE CONTENTS OF THIS DRAWING ARE THE EXCLUSIVE PROPERTY
OF THE TECHNICAL MATERIEL CORP. ITS UNAUTHORIZED USE OR
REPRODUCTION IN WHOLE OR IN PART IS STRICTLY FORBIDDEN.

REQ'D.	ITEM	PART NUMBER	DESCRIPTION	SYMBOL
F. BUDETTI LIST OF MATERIAL				
MATERIAL			THE TECHNICAL MATERIEL CORP. MAMARONECK, NEW YORK	
FINISH			TITLE DC AMMETER, GRID CURRENT	
DRAWN John C. Biele		DATE 12-11-62	FINAL APPROVAL RKL	
CHECKED		DATE		
ELECT. DES.		DATE	MD-167	
MECH. DES.		DATE	0	
DECIMALS .X ± .05 .XX ± .01 .XXX ± .005			TOLERANCES ± 1/64 ANGLES ± 0° 30'	
SHEET			REV.-LTR.	

NOTES

7

6

5

4

3

2

1