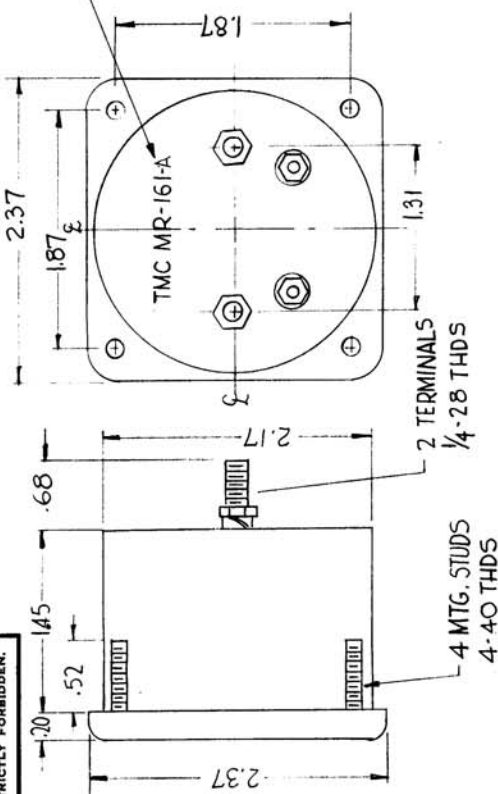
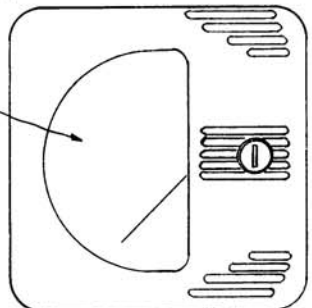
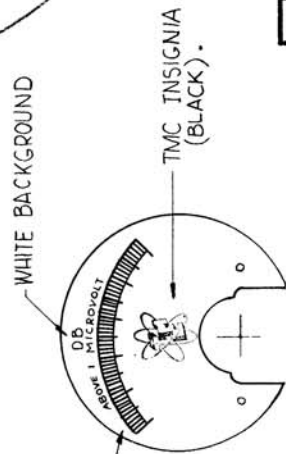
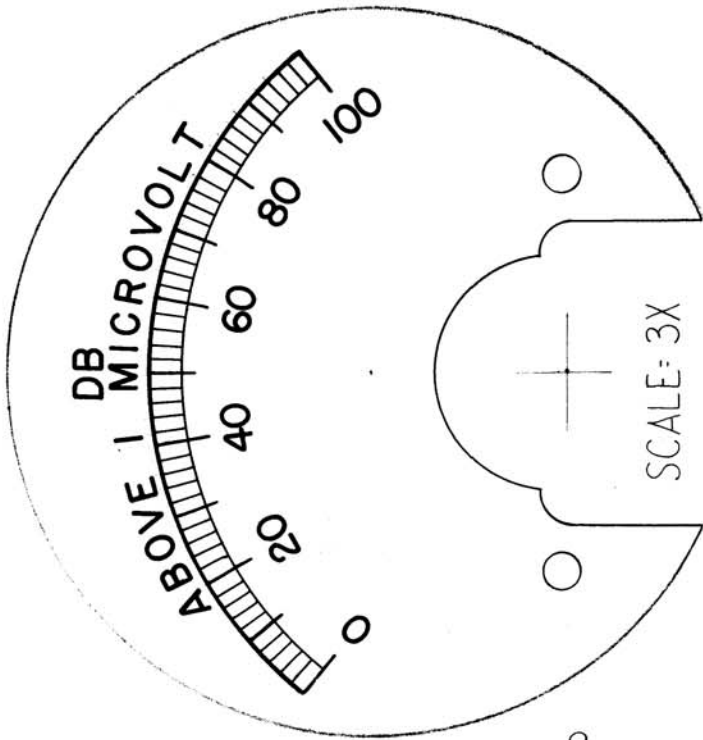


THE CONTENTS OF THIS DRAWING ARE THE EXCLUSIVE PROPERTY OF THE TECHNICAL MATERIEL CORP. ITS UNAUTHORIZED USE OR REPRODUCTION IN WHOLE OR IN PART IS STRICTLY FORBIDDEN.

SEE DETAIL AT RIGHT FOR DIAL FACE



STAMP CASE AS SHOWN



FULL SCALE

NOTE ~ METER FRONT MUST BE A BLACK MATT FINISH, WITH LINE DESIGN AS SHOWN.

SPECIFICATIONS
CASE ~ STANDARD SIMPSON NO 127
MOVEMENT ~ 0-50 μ A
APPROX RESISTANCE ~ 2 K
POINTER TYPE ~ KNIFE EDGE
ALL NECESSARY MOUNTING & TERMINAL HARDWARE SUPPLIED BY MFG.

MR-161

REQ. ITEM	PART NO.	M. GELLMAN	DESCRIPTION	SYMBOL
			THE TECHNICAL MATERIEL CORP. MAMARONECK, NEW YORK	
	STOCK SIZE		METER, OUTPUT INDICATOR	
	MATERIAL			
	TYPE & TEMPER		HEAT TREAT. SPEC.	
	FINISH & SPEC. NO.			

SYM	DESCRIPTION	DATE	CH. NO.	DRAFTS	CHECKER	ENG. APP.
A	4 MTG STUDS WERE 4-36 THD	6-23-62	1			
UNLESS OTHERWISE SPECIFIED:						
DIMENSIONS ARE IN INCHES						
TOLERANCES N						
FRACTIONS $\pm 1/64$ DECIMALS $\pm .005$ ANGLES $\pm 1/2^\circ$						
REQ. PER UNIT	MODEL	SECTION	ABST. NO.	DATE		
1	HFR-1/C			4-3-62		