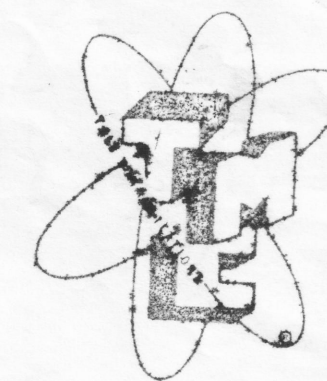


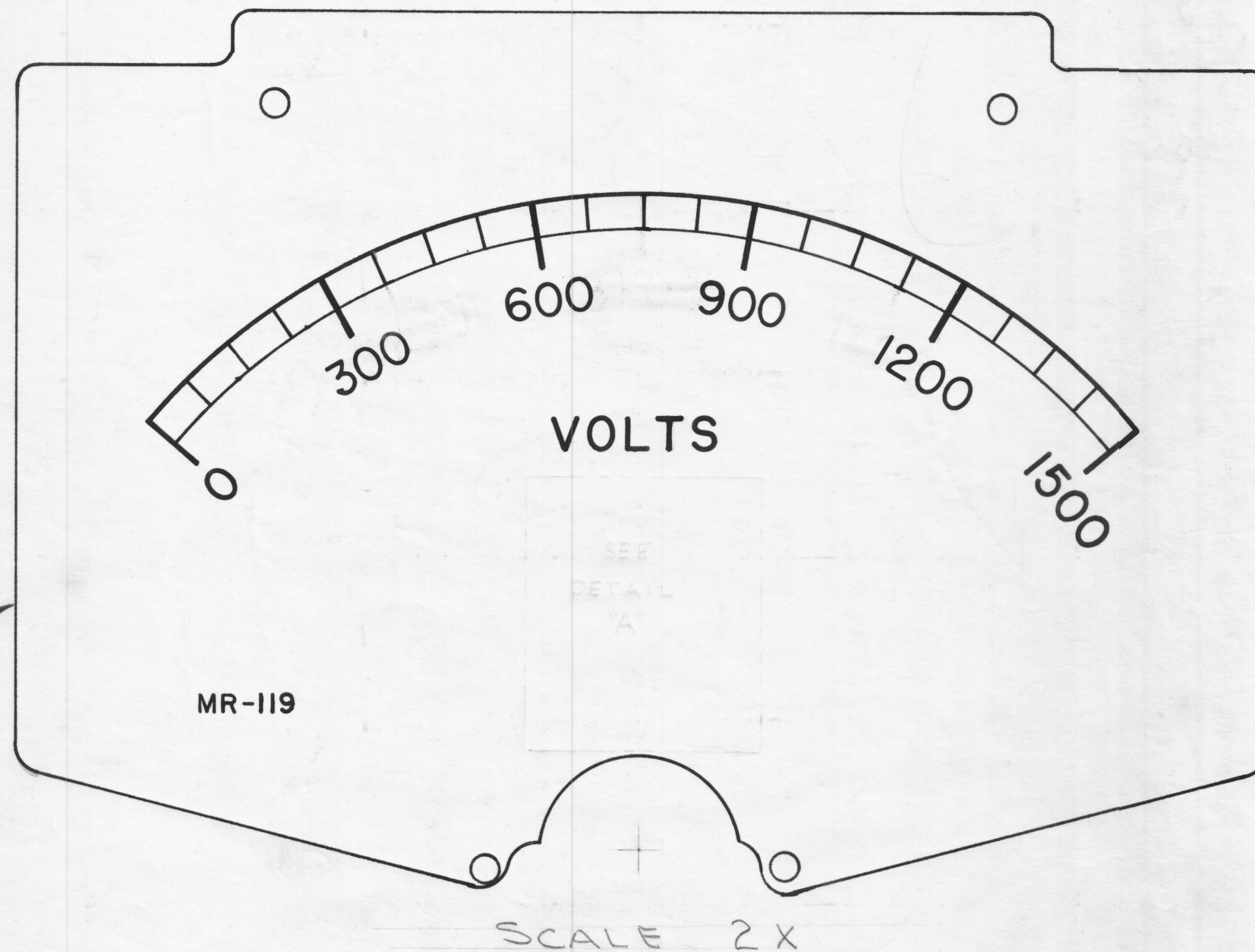
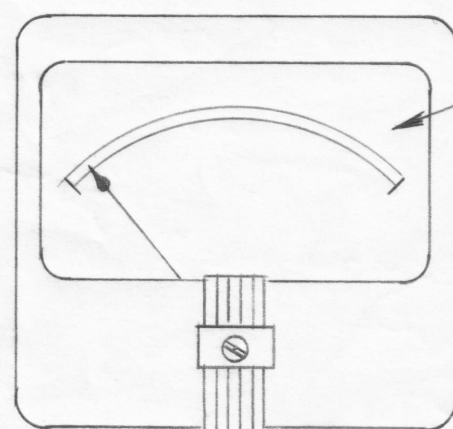
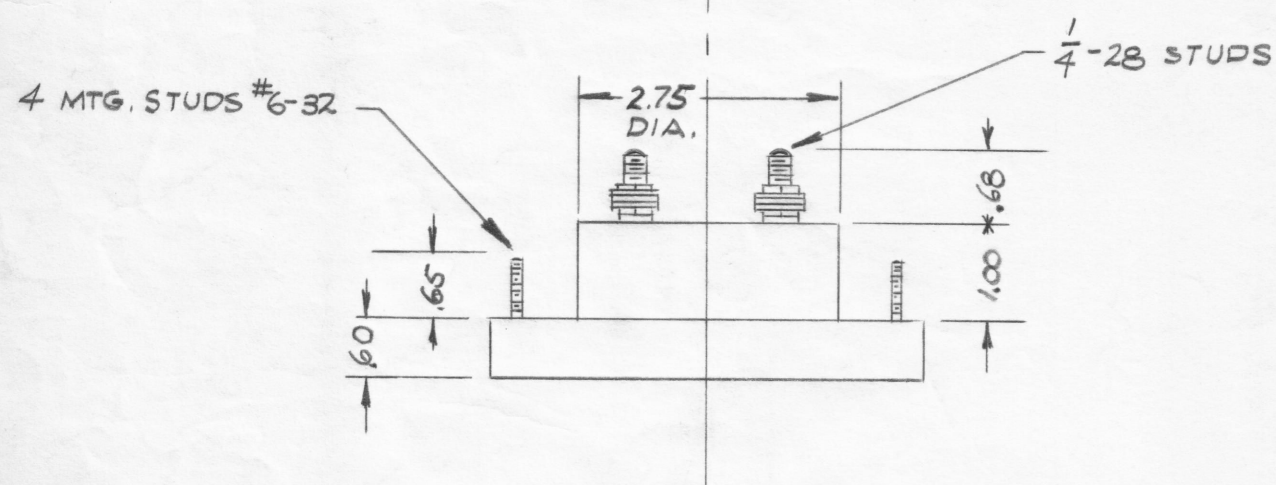
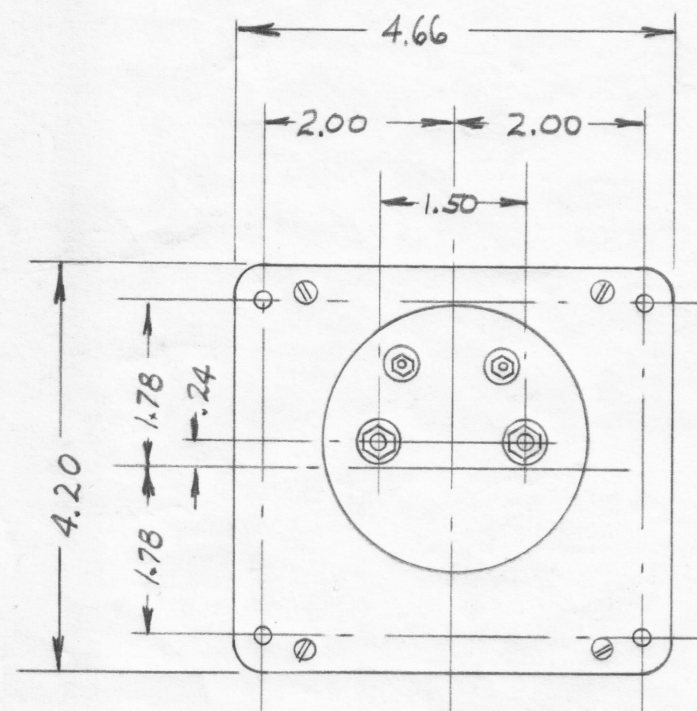
IF IT IS FOUND DESIRABLE TO CHANGE ANY TOLERANCE OR OTHER DETAIL SPECIFIED ON THIS DRAWING NOTIFY THE PURCHASER PROMPTLY.

MAXIMUM ALLOWABLE TOLERANCES HAVE BEEN DETERMINED AND DEVIATIONS WILL BE CAUSE FOR REJECTION. REMOVE ALL BURRS AND SHARP EDGES



"A"

INSERT TMC INSIGNIA IMMEDIATELY BELOW WORD "VOLTS" CENTERED TO BOTTOM.



MR-119

NOTES:

- CASE - STANDARD COMMERCIAL RECTANGULAR 4 1/2" CASE MODEL 29
- FINISH - GLOSSY BLACK
- MOVEMENT - 0-1 MILLI-AMPS
- APPROX. RESISTANCE - 46 OHMS
- POINTER - SPADE TYPE
- HARDWARE - TWO FLAT WASHERS AND TWO 1/4-28 HEX NUTS FOR TERMINALS, FOUR LOCK WASHERS AND FOUR 6-32 HEX NUTS FOR MOUNTING SUPPLIED BY MFG.

NOTICE TO PERSONS RECEIVING THIS DRAWING

THE TECHNICAL MATERIEL CORPORATION claims proprietary right in the material disclosed hereon. This drawing is issued in confidence for engineering information only and may not be reproduced or used to manufacture anything shown hereon without permission from THE TECHNICAL MATERIEL CORPORATION to the user. This drawing is loaned for mutual assistance and is subject to recall at any time.

Property of:

THE TECHNICAL MATERIEL CORPORATION
MAMARONECK, NEW YORK

REF. SIMPSON CAT NO 17 MODEL 29

ISSUE	ITEM	CHANGED FROM	DATE	CN. NO.	DRAFTS	CHECKER	ENG. APP.
TOLERANCES		SCALE: 5-401-44 (17-29)					
ALL OTHERS	DEC. DIM. ± .015 FRAC. DIM. ± 1/64 ANGULAR DIM. ±	DRILL, PUNCH, COMMERCIAL STOCK SIZES AND MANUFACTURERS TOLERANCES ARE NOT INCLUDED.					

REQ PER UNIT	MODEL	PROJECT NO.	ASS'Y. NO.	DATE
1	GPT-10K6			10-31-58
USED ON				

REQ. ITEM	PART NO.	DESCRIPTION	SYMBOL
THE TECHNICAL MATERIEL CORP. MAMARONECK, NEW YORK			
STOCK SIZE			
VOLTMETER, DC, FINAL SCREEN			
MATERIAL	WEIGHT PER PC.		
TYPE & TEMPER		DRAWN: <i>JABILLON</i>	ELEC. DES. APP.: <i>F.F.G.</i>
HEAT TREAT. SPEC.		CHECKED: <i>JABILLON</i>	MECH. DES. APP.: <i>D.B.</i>
FINISH & SPEC. NO.		FINAL APPROVAL	
		MR-119	