

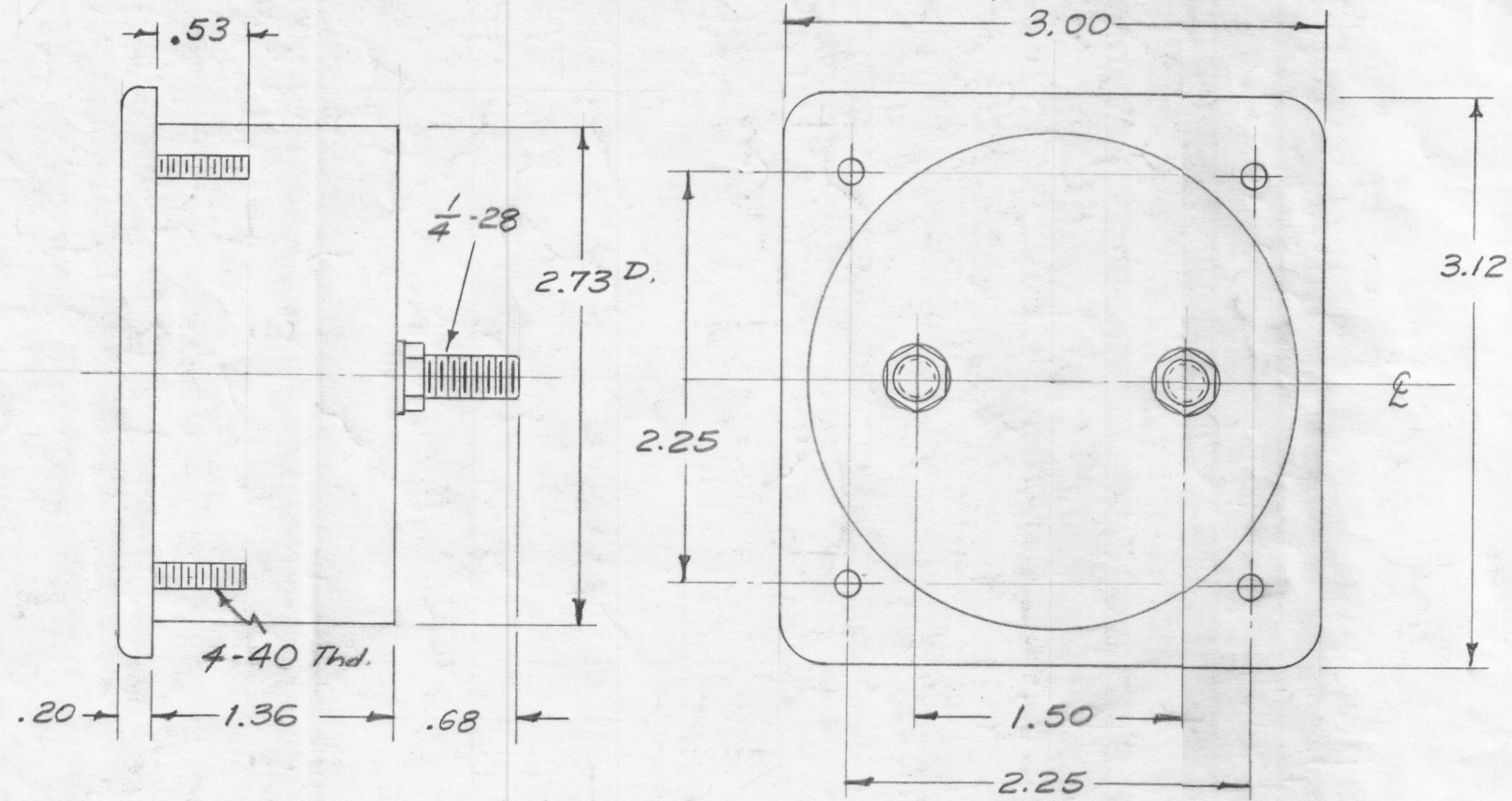
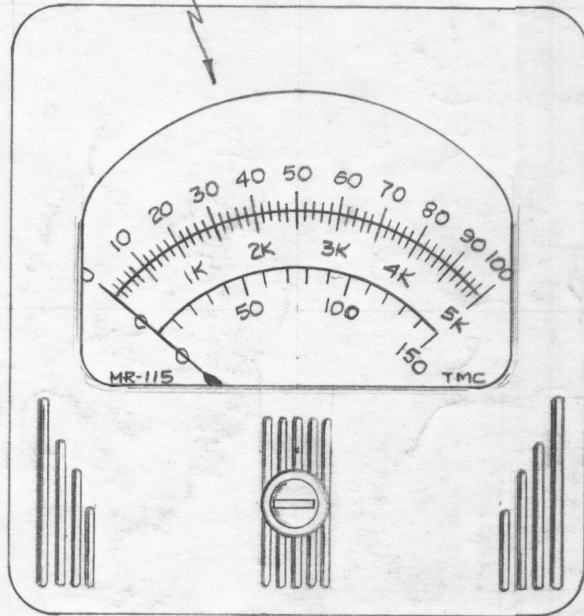
IF IT IS FOUND DESIRABLE TO CHANGE ANY TOLERANCE OR OTHER DETAIL SPECIFIED ON THIS DRAWING NOTIFY THE PURCHASER PROMPTLY.

MAXIMUM ALLOWABLE TOLERANCES HAVE BEEN DETERMINED AND DEVIATIONS WILL BE CAUSE FOR REJECTION. REMOVE ALL BURRS AND SHARP EDGES

Note - Meter Front must have a black Matt finish with line design as shown.

Specifications -  
 Case - Standard Simpson Model 27  
 Movement - 0-50 Microamp  
 Approx. Resistance - 2000 ohms.  
 Pointer Type - Knife Edge  
 All necessary Mtg. Hardware to be supplied by Mfg.  
 Four Flat Washers (#4) & Four 4-36 Hex. Nuts.  
 Two 1/4 Flat Washers & Two 1/4-28 Hex. Nuts.

See Detail Below for Dial Face.



NOTICE TO PERSONS RECEIVING THIS DRAWING

THE TECHNICAL MATERIEL CORPORATION claims proprietary right in the model disclosed herein. This drawing is issued in confidence for engineering information only and may not be reproduced or used to manufacture any kind of part without permission from THE TECHNICAL MATERIEL CORPORATION to the user. This drawing is loaned for mutual assistance and is subject to recall at any time.

Property of:  
 THE TECHNICAL MATERIEL CORPORATION  
 MAMARONECK, NEW YORK

SCALE COLORS

White Background.

Top Scale Numerals No's. "0 to 100" to be black.

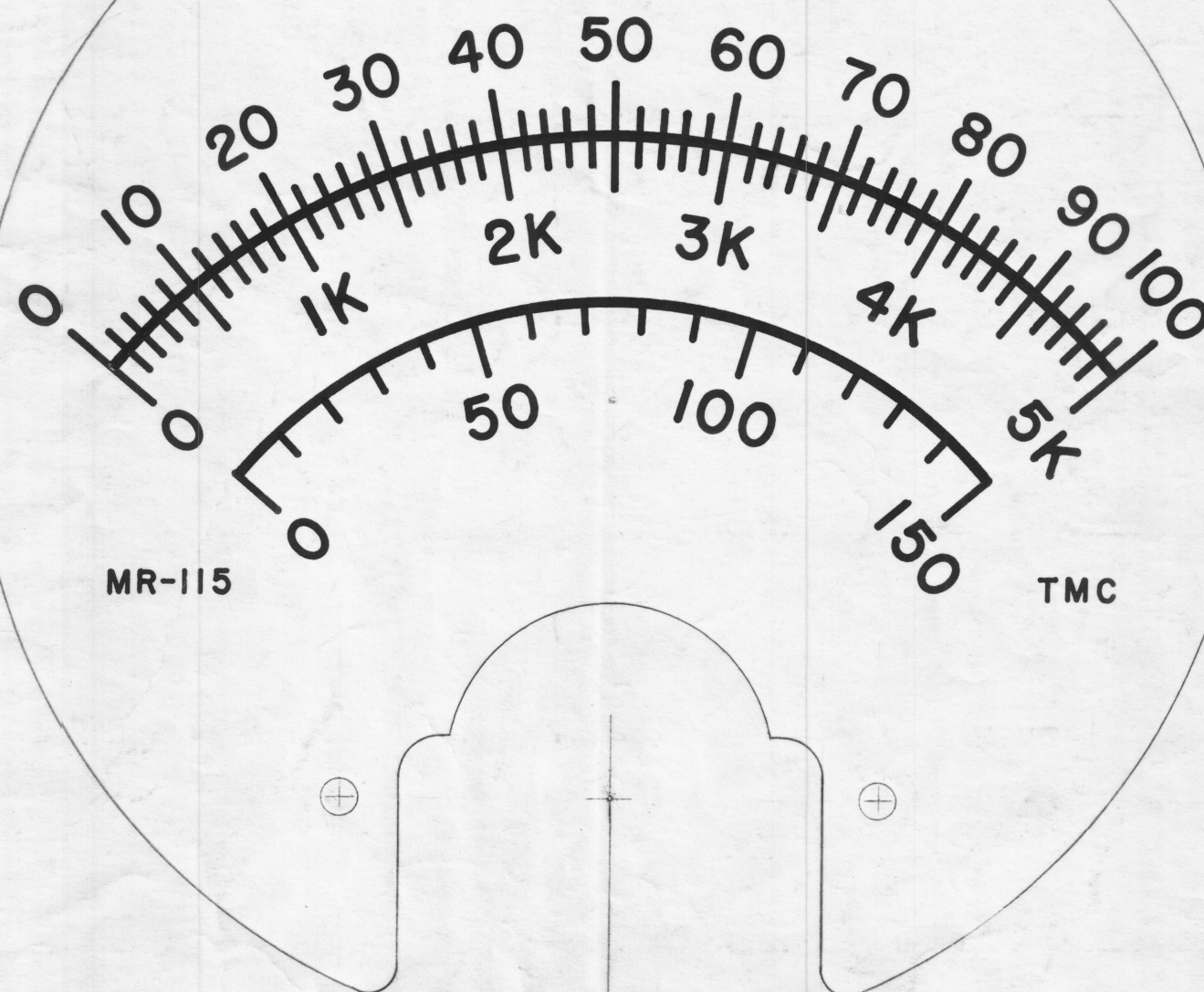
Bottom Scale & Numerals No's. "0 to 150" to be Green.

Top Scale to be black.

Top Scale Numerals No's. "0 to 5K" to be Red.

"MR-115" in black.

"TMC" in black.



SCALE - 3X  
 (TRUE SIZE - 2-7/16 D.)

MR-115 B.

B	1	MTG STUDS WERE 4-36 THD	6-12-63	0243		JAY	
A	1	SCALE COLOR DETAIL & NOTES ADDED. SCALES & NUMERALS WERE ALL BLACK	12/13/58	4	16	JAY	
ISSUE	ITEM	CHANGED FROM	DATE	CN. NO.	DRAFTS	CHECKER	ENG. APP.
TOLERANCES		SCALE:					
ALL OTHERS	DEC. DIM. ±	DRILL, PUNCH, COMMERCIAL STOCK SIZES AND MANUFACTURERS TOLERANCES ARE NOT INCLUDED.					
	FRAC. DIM. ±						
	ANGULAR DIM. ±						

1	RTF-2 MO/FP	M301	10/30/58
REQ PER UNIT	MODEL	PROJECT NO.	DATE
		SYM. ASSY. NO.	
	USED ON		

REQ. ITEM	PART NO.	DESCRIPTION	SYMBOL
THE TECHNICAL MATERIEL CORP. MAMARONECK, NEW YORK			
STOCK SIZE			
MULTI-METER, DC MICROAMP,			
MATERIAL WEIGHT PER PC. RTF-2 MO/FP			
TYPE & TEMPER 1510/30/58			
DRAWN		ELEC. DES. APP.	MECH. DES. APP.
HEAT TREAT. SPEC.		FINAL APPROVAL	
FINISH & SPEC. NO.		MR-115 B.	