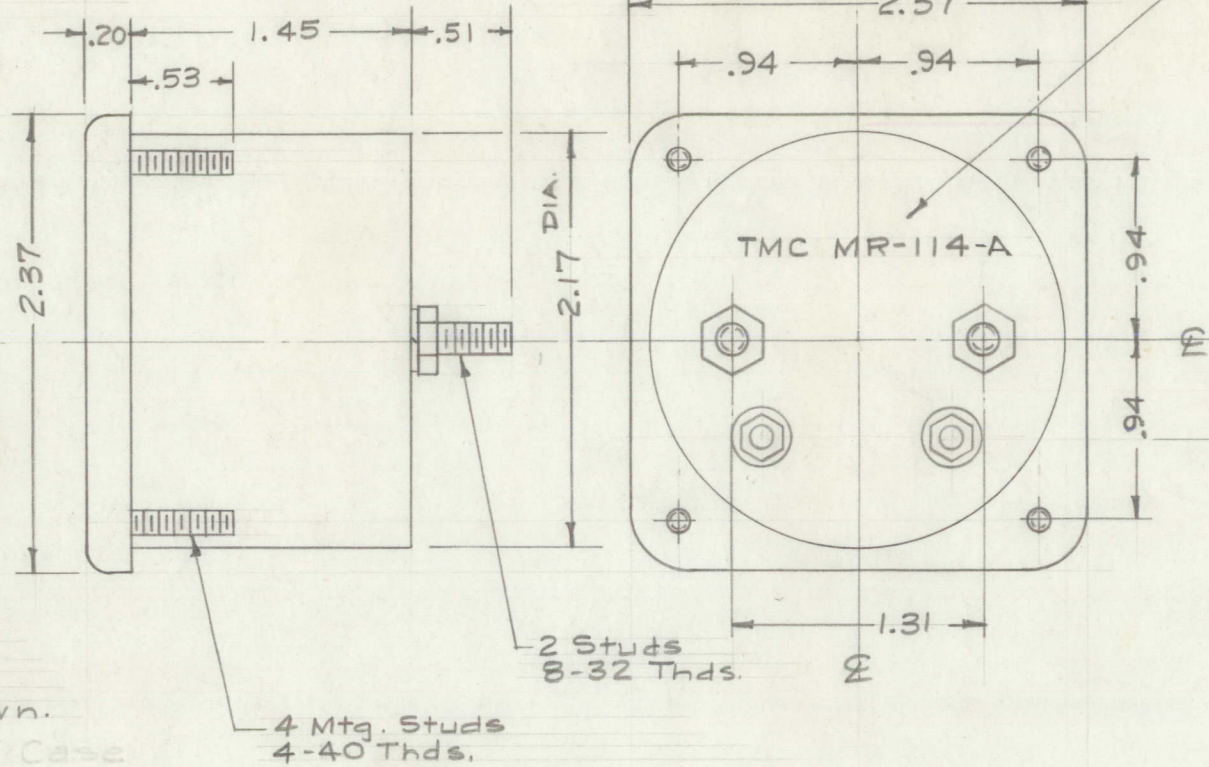
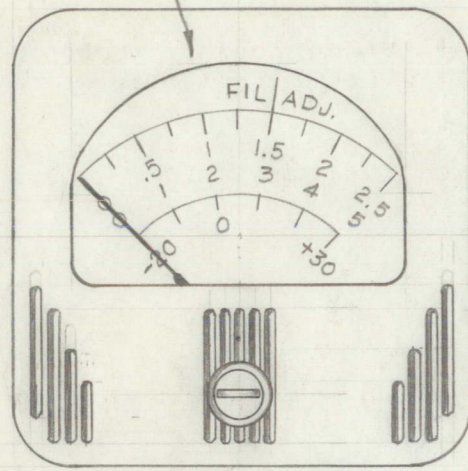


See Details at right for Dial Face.



Note - Meter Front must be a black Matt Finish, with Line Design as shown.

Standard Simpson #127 Case

Specifications:

Case - Standard Simpson No. 127

Movement - 0-50 Micro-Amp.

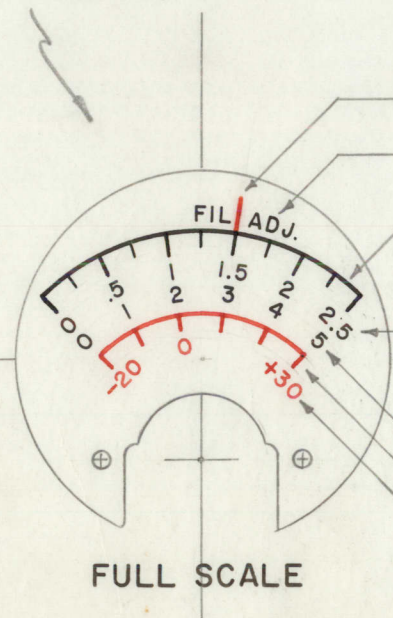
Approx. Resistance - 2000 ohms.

Pointer Type - Knife Edge

All necessary Mounting &

Terminal Hardware Supplied by Mfg.

All letters & numerals to be the fine line type.



WHITE BACKGROUND

"FIL ADJ" LINE - RED (TO TOP OF SCALE DIRECTLY BELOW)

FIL ADJ. - BLACK

SCALE - BLACK

NUMBERS "0 TO 2.5" - BLACK

NUMBERS "0 TO 5" - BLACK

SCALE - RED

NUMBERS "-20, 0, +30" - RED

REF: SIMPSON METER NO.

ISSUE	ITEM	CHANGED FROM	DATE	CH. NO.	DRAFTS	CHECKER	ENG. APP.
A	1	MTG STUDS WERE 4-36 THD	6-12-63	9243			
TOLERANCES		SCALE:					
DEC. DIM. ±		MAXIMUM ALLOWABLE TOLERANCES HAVE BEEN DETERMINED AND ANY DEVIATIONS WILL BE CAUSE FOR REJECTION.					
FRAC. DIM. ±		REMOVE ALL BURRS AND SHARP EDGES					
ANGULAR DIM. ±							

REQ. PER UNIT	1	MODEL	RFA-1	PROJECT NO.	PAL-350	ASS'Y. NO.		DATE	7-16-58
USED ON									

REQ. ITEM	PART NO.	DESCRIPTION	SYMBOL
		THE TECHNICAL MATERIEL CORP. MAMARONECK, NEW YORK	
STOCK SIZE		MULTI-METER, DC MICROAMP (M201 RFA-1)	
MATERIAL			
		LG 7-16-58	
TYPE & TEMPER		HEAT TREAT. SPEC.	
		DRAWN	CHECKED
FINISH & SPEC. NO.		ELEC. DES. APP.	MECH. DES. APP.

MR-114 A