

IF IT IS FOUND DESIRABLE TO CHANGE ANY TOLERANCE OR OTHER DETAIL SPECIFIED ON THIS DRAWING NOTIFY THE PURCHASER PROMPTLY.

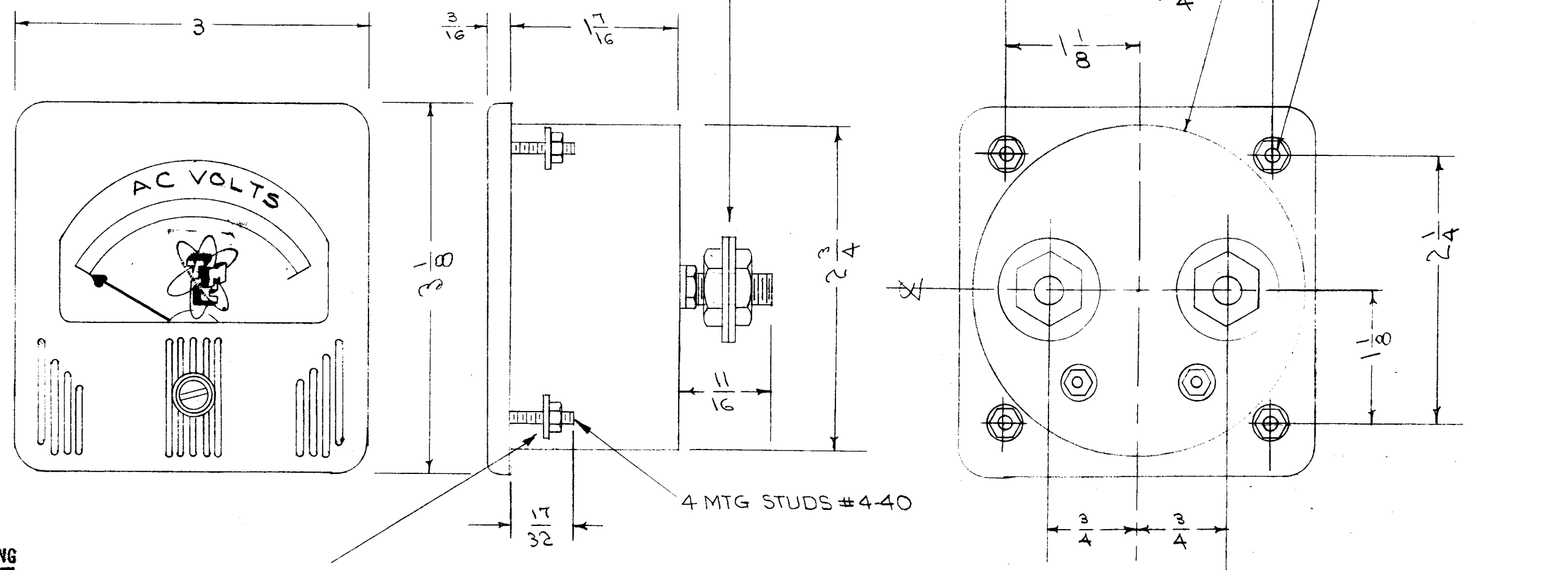
MAXIMUM ALLOWABLE TOLERANCES HAVE BEEN DETERMINED AND DEVIATIONS WILL BE CAUSE FOR REJECTION. REMOVE ALL BURRS AND SHARP EDGES

RANGE	RANGE
0-1.5	0-100
0-3	0-150
0-5	0-200
0-8	0-250
0-10	0-300
0-15	0-500
0-25	0-150
0-50	

MR-108 B

STANDARD DRAWING

DRILLING PLAN

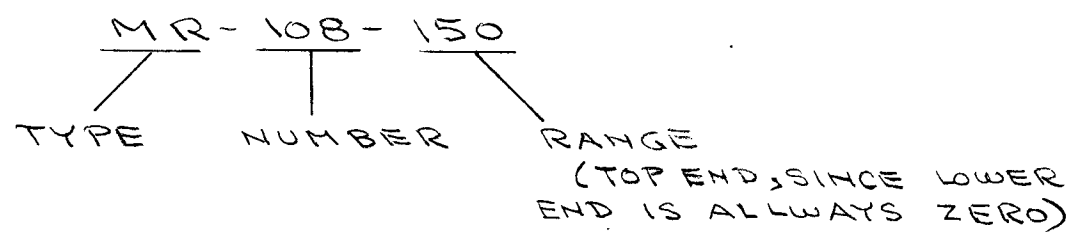


NOTICE TO PERSONS RECEIVING THIS DRAWING

THE TECHNICAL MATERIEL CORPORATION claims proprietary right in the material disclosed hereon. This drawing is issued in confidence for engineering information only and may not be reproduced or used to manufacture anything shown hereon without permission from THE TECHNICAL MATERIEL CORPORATION to the user. This drawing is loaned for mutual assistance and is subject to recall at any time.

LOCK WASHERS & NUTS FURNISHED BY MFR.

TYPE DESIGNATION TO BE IN FOLLOWING FORM



REF: SIMPSON MODEL 57 AC VOLTMETER

REQ.	ITEM	PART NO.	DESCRIPTION	SYMBOL
			THE TECHNICAL MATERIEL CORP. MAMARONECK, NEW YORK	
			AC VOLTMETER	
			3 1/2"	
			STD. 9-9-55	
			DRAWN	
			10 9-12-55	
			CHECKED	
			FINAL APPROVAL	
				MR-108 B

ISSUE	ITEM	CHANGED FROM	DATE	CN. NO.	DRAFTS	CHECKER	ENG. APP.
B	1	MTG STUD NOTE ADDED	6-12-53	9243			

TOLERANCES	SCALE:	REQ. PER UNIT	MODEL	PROJECT NO.	ASS'Y. NO.	DATE
ALL OTHERS DEC. DIM. ± FRAC. DIM. ± ANGULAR DIM. ±	DRILL, PUNCH, COMMERCIAL STOCK SIZES AND MANUFACTURERS TOLERANCES ARE NOT INCLUDED.					