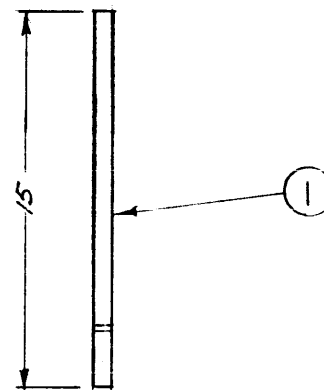
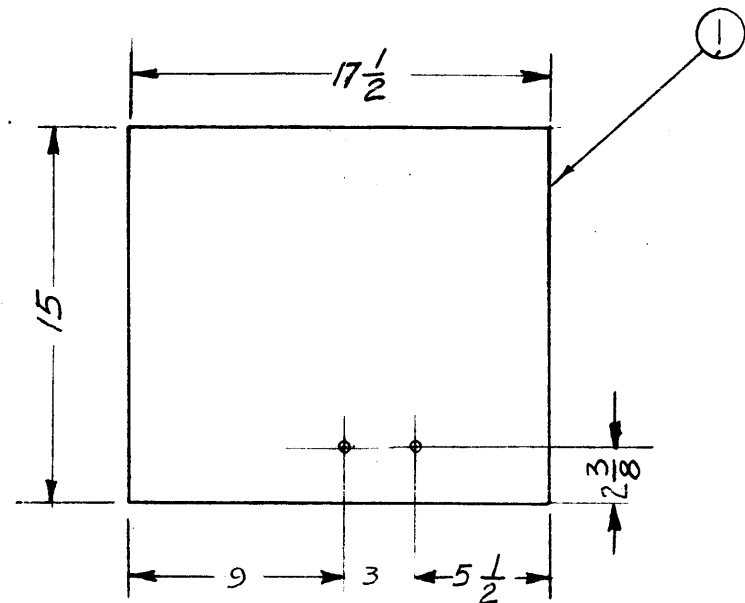
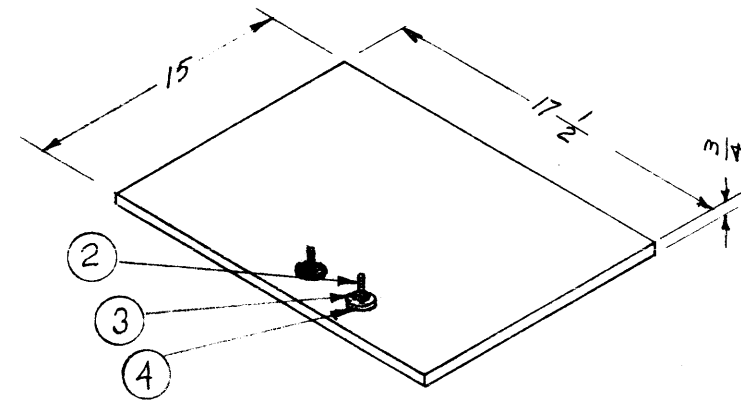


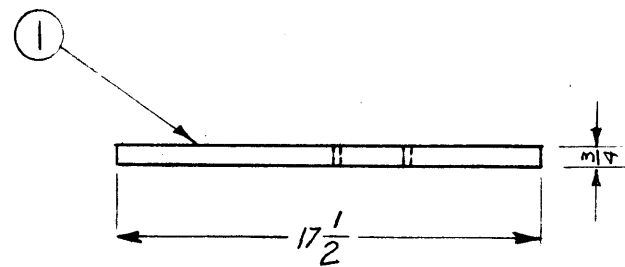
MP-118



END VIEW



ISOMETRIC OF... MP-118



SIDE VIEW

2	4	WH-101	WASHER, FLAT STEEL	
2	3	NU-101	NUT, SQUARE STEEL	
2	2	BL-101	BOLT, CARRIAGE	
1	1	PLY- 17 1/2-15-3/4-F-A	PLYWOOD, FIRE	
REQ.	ITEM	PART NO.	DESCRIPTION	SYMBOL
			THE TECHNICAL MATERIEL CORP. MAMARONECK, NEW YORK	
			MOUNTING PLATE	
			MATERIAL	
		<i>Schuy</i>		DRAWN
		<i>[Signature]</i>		CHECKER
		MP-118		FINAL APPROVAL
		FINISH & SPEC. NO.		ELEC. DES. APP. MECH. DES. APP.

SYM	DESCRIPTION	DATE	CH. NO.	DRAFTS	CHECKER	ENG. APP.

UNLESS OTHERWISE SPECIFIED:
 DIMENSIONS ARE IN INCHES
 TOLERANCES ON
 FRACTIONS $\pm 1/64$ DECIMALS $\pm .05$ ANGLES $\pm 1/2^\circ$

SCALE:
 MAXIMUM ALLOWABLE TOLERANCES HAVE BEEN DETERMINED AND ANY DEVIATIONS WILL BE CAUSE FOR REJECTION.
 REMOVE ALL BURRS AND SHARP EDGES

1	TLI			2-7-62
REQ. PER UNIT	MODEL	SECTION	ASS'Y. NO.	DATE
USED ON				