

IF IT IS FOUND DESIRABLE TO CHANGE ANY TOLERANCE OR OTHER DETAIL SPECIFIED ON THIS DRAWING NOTIFY THE PURCHASER PROMPTLY.

MP-104

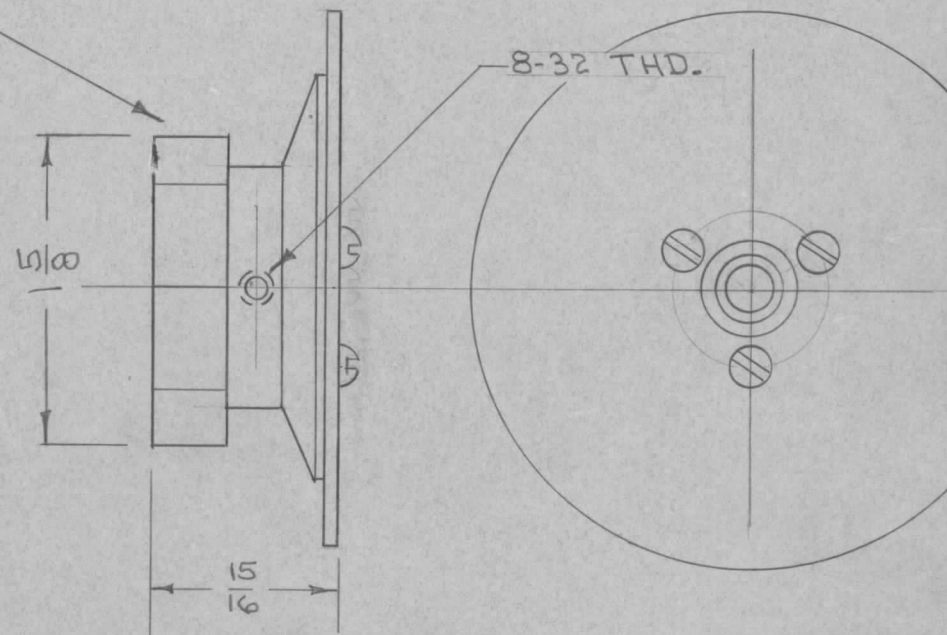
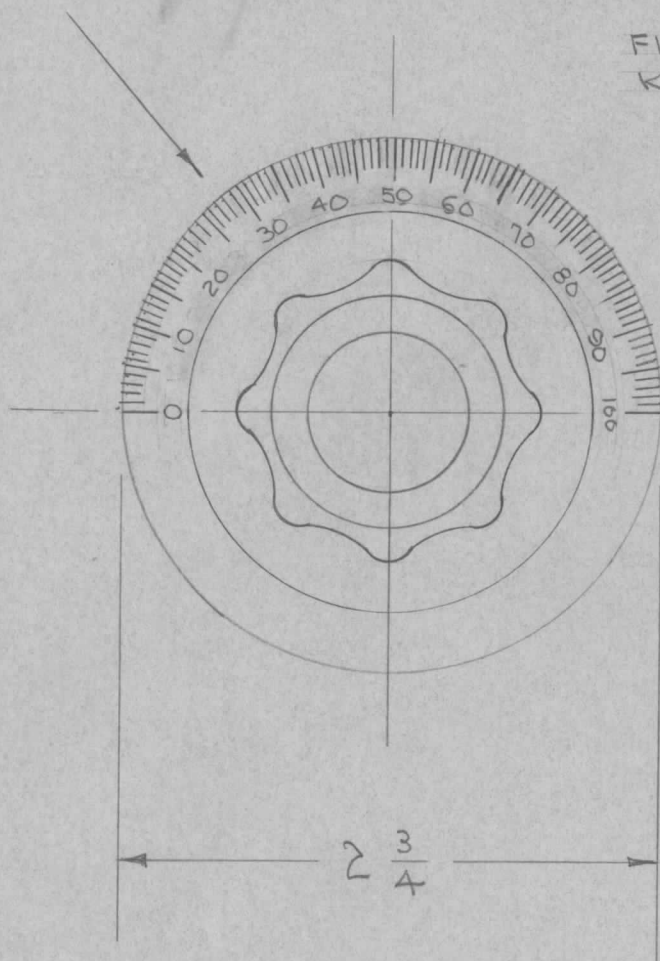
MAXIMUM ALLOWABLE TOLERANCES HAVE BEEN DETERMINED AND DEVIATIONS WILL BE CAUSE FOR REJECTION. REMOVE ALL BURRS AND SHARP EDGES

USED ON

MODEL	PROJECT NO.	ASS'Y. NO.	DATE
TAC-1	132		9-2-53

DIAL TO BE ETCHO-ENGRAVED. BLACK NUMERALS AND CALIBRATIONS

FINGER GRIP BLACK FLANGE KNOB WITH SKIRT



REQ.	ITEM	PART NO.	DESCRIPTION	SYMBOL
			THE TECHNICAL MATERIEL CORP. MAMARONECK. NEW YORK	
STOCK SIZE			DIAL KNOB	
MATERIAL		WEIGHT PER PC.		
TYPE & TEMPER			C.D.D. 9-2-53	
HEAT TREAT. SPEC.			DRAWN: <i>J.A.D.</i> ELEC. DES. APP. MECH. DES. APP.	
FINISH & SPEC. NO.			CHECKED: <i>J.A.D.</i> FINAL APPROVAL: <i>[Signature]</i>	
			MP-104	

ISSUE	ITEM	CHANGED FROM	DATE	CN. NO.	DRAFTS	CHECKER	ENG. APP.
TOLERANCES			SCALE				
ALL OTHERS	DEC. DIM. ±	FRAC. DIM. ±	DRILL, PUNCH, COMMERCIAL STOCK SIZES AND MANUFACTURERS TOLERANCES ARE NOT INCLUDED.				
	ANGULAR DIM. ±						