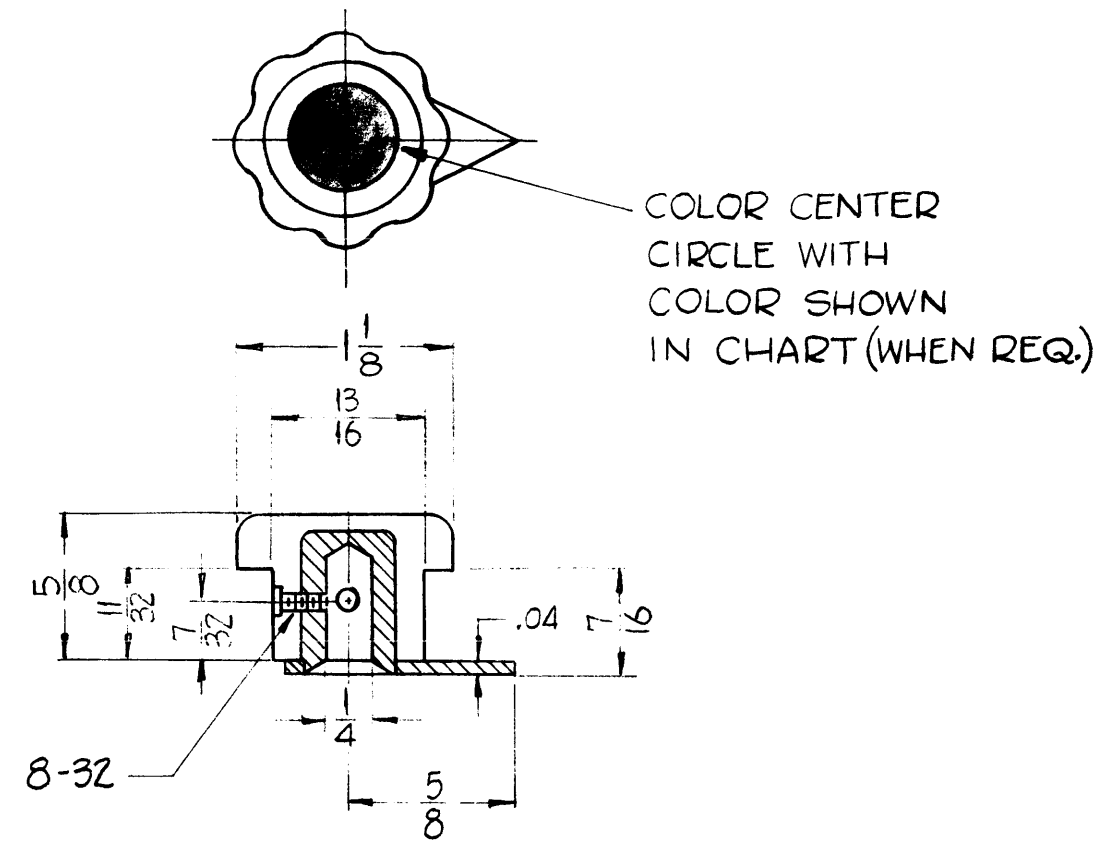


MP-100 E

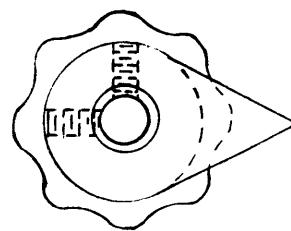
STANDARD DRAWING

TMC PART NO.	HARRY DAVIES CAT. NO.	KURZ KASCH CAT. NO.	FLUSH INSERT	COUNTER BORE	WITH POINTER	CENTER CIRCLE COLORED
MP-100-1	4100U	5-308-64-BB	NO	NO	NO	NO
MP-100-2		5-308-64-BB-B	YES	NO	NO	NO
MP-100-3	SPECIAL	5-308-64-BB-DD	YES	5/8 x 3/32	NO	NO
MP-100-4	4100-AY	5-308-64-BB-40275	NO	NO	YES	NO
MP-100-5			NO	NO	NO	RED



DIMENSIONS FOR
REFERENCE ONLY.

- NOTES -
1. EACH KNOB SHALL BE DELIVERED WITH TWO ALLEN-HEAD TYPE, CADMIUM PLATED, CUP POINT SET SCREWS INSTALLED.
 2. THE POINTER SHALL BE WHITE VINYLITE.
 3. INSERT SHALL BE BRASS.



NOTICE TO PERSONS RECEIVING THIS DRAWING

THE TECHNICAL MATERIEL CORPORATION claims proprietary right in the material disclosed hereon. This drawing is issued in confidence for engineering information only and may not be reproduced or used to manufacture anything shown hereon without permission from THE TECHNICAL MATERIEL CORPORATION to the user. This drawing is loaned for mutual assistance and is subject to recall at any time.

Property of:

THE TECHNICAL MATERIEL CORPORATION
MAMARONECK, NEW YORK

REF. ~ HARRY DAVIES MOLDING CO.
REF. ~ KURZ KASCH INC.

SYM	DESCRIPTION	DATE	CH. NO.	DRAFTS	CHECKER	ENG. APP.
AE	REDRAWN and Added - 5	11-30-60	3625	Dm	QC/B	[Signature]

UNLESS OTHERWISE SPECIFIED:
DIMENSIONS ARE IN INCHES
TOLERANCES ON FRACTIONS ± 1/64 DECIMALS ± .05 ANGLES ± 1/2°

SCALE:
MAXIMUM ALLOWABLE TOLERANCES HAVE BEEN DETERMINED AND ANY DEVIATIONS WILL BE CAUSE FOR REJECTION.
REMOVE ALL BURRS AND SHARP EDGES

REQ. PER UNIT	MODEL	SECTION	ASS'Y. NO.	DATE

REQ. ITEM	PART NO.	DESCRIPTION	SYMBOL
		THE TECHNICAL MATERIEL CORP. MAMARONECK, NEW YORK	
		KNOB, INSTRUMENT FLUTED TYPE	
		MATERIAL	
		TYPE & TEMPER	
		HEAT TREAT. SPEC.	
		DRAWN [Signature]	CHECKER [Signature]
		FINAL APPROVAL [Signature]	
		FINISH & SPEC. NO.	ELEC. DES. APP. MECH. DES. APP.
		MP-100	E