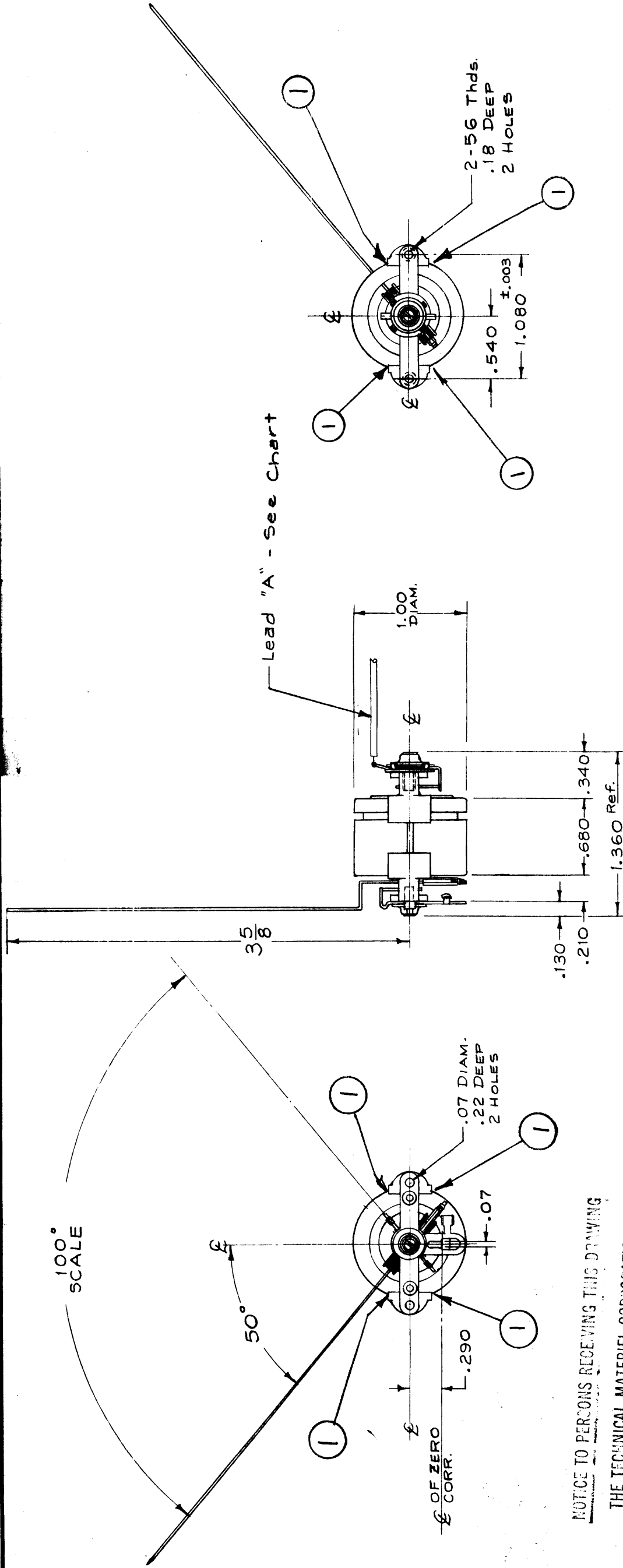


100° SCALE



NOTICE TO PERSONS RECEIVING THIS DRAWING

THE TECHNICAL MATERIEL CORPORATION claims proprietary right in the material disclosed herein. This drawing is issued in confidence and is to be used only and may not be re-produced or used to manufacture anything shown hereon without permission from THE TECHNICAL MATERIEL CORPORATION to the user. This drawing is loaned for mutual assistance and is subject to recall at any time.

Property of:

THE TECHNICAL MATERIEL CORPORATION  
MAMARONECK, NEW YORK

RESISTANCE - 1700 ohms ± 20%  
RANGE - 0 - 100 micro-amps ± 2%  
LEAD LENGTHS - 13"

NOTE:

- 1~ MECHANISM SHOWN IN UNENERGIZED POSITION.
- 2~ POINTER, LEFT ZERO.
- 3~ POSITIVE SIGNAL APPLIED TO LEAD "A".
- 4. SECURE RETAINER BKT. TO METER MOVEMENT w/GL129 AS SHOWN.

TMC NO.	POINTER COLOR	LEAD "A" COLOR
MM-100-1	RED	RED
MM-100-2	BLACK	BLUE

ITEM	DATE	CH. NO.	DRAFTS	CHECKER	ENG. APP.
D	4-8-65	13846			
C	10306412821				
B	1-8-63	7972			
A	2/24/58	1			

ISSUE ITEM	CHANGED FROM	SCALE	PERMITS	DATE	PROJECT NO.	MODEL	DATE
1	1	5401-376	382	NOV			6-10-58

DEC. DIM. ±  
FRAC. DIM. ±  
ANGULAR DIM. ±

REQ. ITEM	PART NO.	DESCRIPTION	SYMBOL
X 1	GL129	ADHESIVE	

TYPE & TEMPER	HEAT TREAT.	SPEC.	DATE	DATE
			5-21-58	
			2-13-58	

THE TECHNICAL MATERIEL CORPORATION  
MAMARONECK, NEW YORK  
METER MOVEMENT

MM-100 D