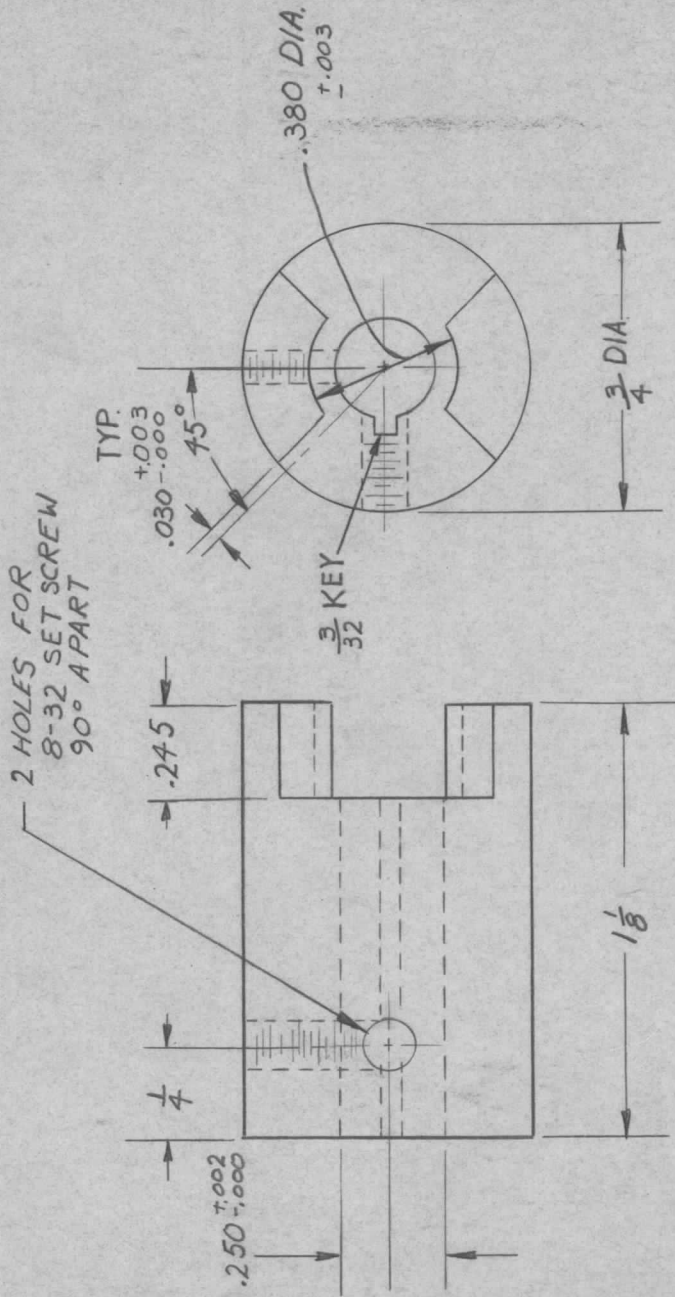


APPLICATION

QTY	MODEL USED ON	ASSY NO.	LTR
8	SPT 3KVHF	AX8080	Ø
6	SPT3KVHF	AX8081	

REVISIONS

DESCRIPTION	DATE	E.M.N.NO	DRAFT	CHKD	APPD
ORIG REL FOR PROD	1-3-69	-4	GE		HDe



UNLESS OTHERWISE SPECIFIED DIMENSIONS ARE IN INCHES AND INCLUDE CHEMICALLY APPLIED OR PLATED FINISHES	REQ'D	ITEM	PART NUMBER	DESCRIPTION	SYM.
	LIST OF MATERIAL				
DECIMALS	THE TECHNICAL MATERIEL CORP.				
FRACTIONS	MAMARONECK, NEW YORK				
.X ± .05 TOLS. 1/64	FINAL APPROVAL	DATE	COUPLING		
.XX ± .01 ANGLES 0° .30'	MECH. DES.	DATE			
.XXX ± .005	ELECT. DES.	DATE			
MATERIAL	CHECKED	DATE			
ALUM 6061-T6	DRAWN	DATE			
FINISH					
S104 IRIDITE					

SIZE	CODE IDENT. NO.	DWG NO.	ISSUE
A	82679	MC 8002	1
SCALE		SHEET	OF
		1	1

NOTICE TO PERSONS RECEIVING THIS DRAWING  
 THE TECHNICAL MATERIEL CORPORATION claims proprietary right in the material disclosed herein. This drawing is issued in confidence for engineering information only and may not be reproduced or used to manufacture anything shown hereon without permission from THE TECHNICAL MATERIEL CORPORATION to the user. This drawing is loaned for mutual assistance and is subject to recall at any time.