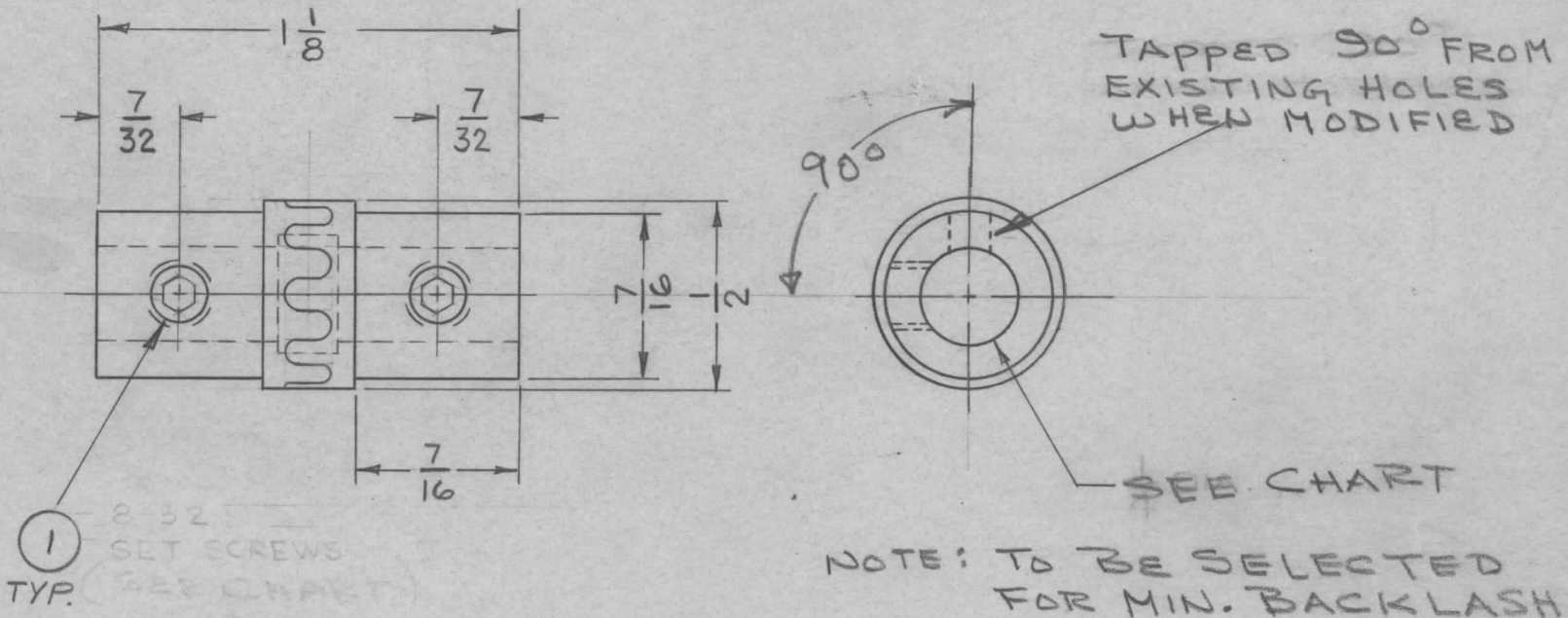


TMC PART NO	MFGR P/N	QTY. ITEM 1	BORE DIA	REQ. PER UNIT	USED ON		MC131	A
MC131-1	FA 5/4 (MODIFIED)	4	1/4		MODEL	ASS'Y. NO.		
					ARCA-1		5-1-64	



NOTE: 1 COUPLING CONSISTS OF 2 MULTI-JAW SECTIONS

FOR REQ SEE CHART

				REQ. ITEM	1	PART NO.	SLHC0832SP3	DESCRIPTION	SET SCREW	SYMBOL	
A	QTY. COL WAS TAR. COL. NOTE FIT. 1 ADDED	12/14/65	15361	AVY	QC/B	JCC	THE TECHNICAL MATERIEL CORP. MAMARONECK, NEW YORK COUPLING, MULTI-JAW				
Ø	RELEASE FOR PRODUCTION	5/6/65	Ø								
X1	CHART & NOTES ADDED	5/6/65	X1								
SYM	DESCRIPTION	DATE	CH. NO.	DRAFTS	CHECKER	ENG. APP.					
UNLESS OTHERWISE SPECIFIED DIMENSIONS ARE IN INCHES AND INCLUDE CHEMICALLY APPLIED OR PLATED FINISHES		SCALE									
		2:1									
DECIMALS .X ± .05 .XX ± .01 .XXX ± .005	TOLERANCES	FRACTIONS ± 1/64 ANGLES ± 0° 30'	CODE	S401-15-FA 5/4			BLACK SATIN				
							FINISH & SPEC. NO.	ELEC. DES. APP.	MECH. DES. APP.	MC131	A