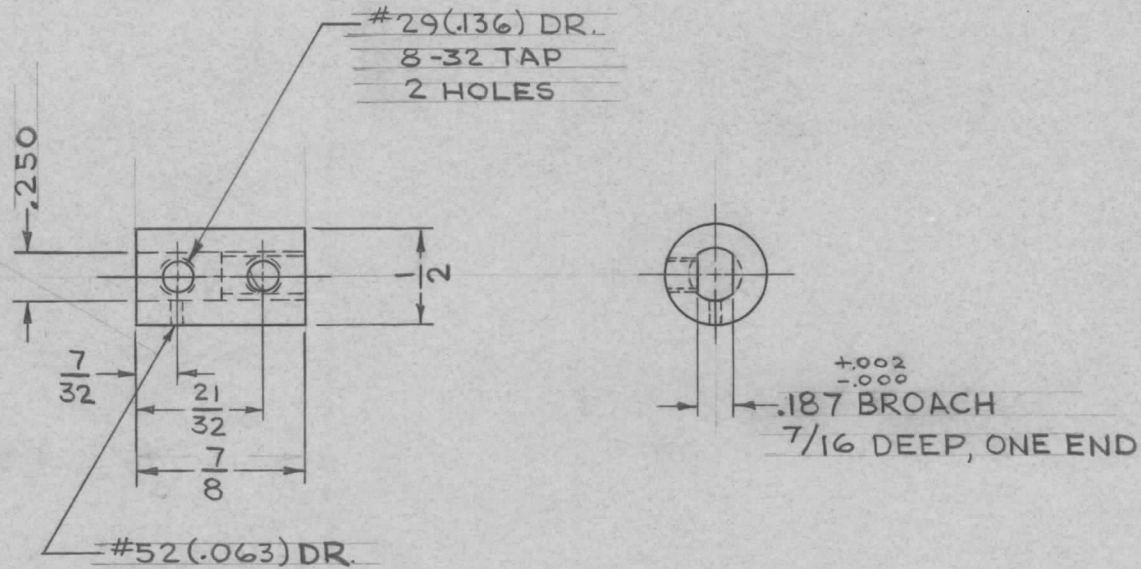


REQ. PER UNIT	USED ON		MC-130 \emptyset
	MODEL	ASS'Y. NO.	
	ARCA		5/4/64



REQ.	ITEM	PART NO.	EATON	DESCRIPTION	SYMBOL	
		1/2 DIA. ROD		THE TECHNICAL MATERIEL CORP. MAMARONECK, NEW YORK		
		STOCK SIZE		COUPLING, MECHANICAL		
		STAINLESS STEEL		(LEDEX DRIVE)		
		MATERIAL				
		303	TAR	JDE	F S Eaton 5/6/65	
		TYPE & TEMPER	HEAT TREAT. SPEC.	DRAWN	CHECKED	FINAL APPROVAL
		CLEAR PASSIVATE			B. Barnes 5/6/65	MC-130 \emptyset
		FINISH & SPEC. NO.	ELEC. DES. APP.	MECH. DES. APP.		

UNLESS OTHERWISE SPECIFIED DIMENSIONS ARE IN INCHES AND INCLUDE CHEMICALLY APPLIED OR PLATED FINISHES		SCALE	1:1
DECIMALS	FRACTIONS	CODE	A
.X ± .05	± 1/64		
.XX ± .01	ANGLES		
.XXX ± .005	± 0° 30'		