

IF IT IS FOUND DESIRABLE TO CHANGE ANY TOLERANCE OR OTHER DETAIL SPECIFIED ON THIS DRAWING NOTIFY THE PURCHASER PROMPTLY.

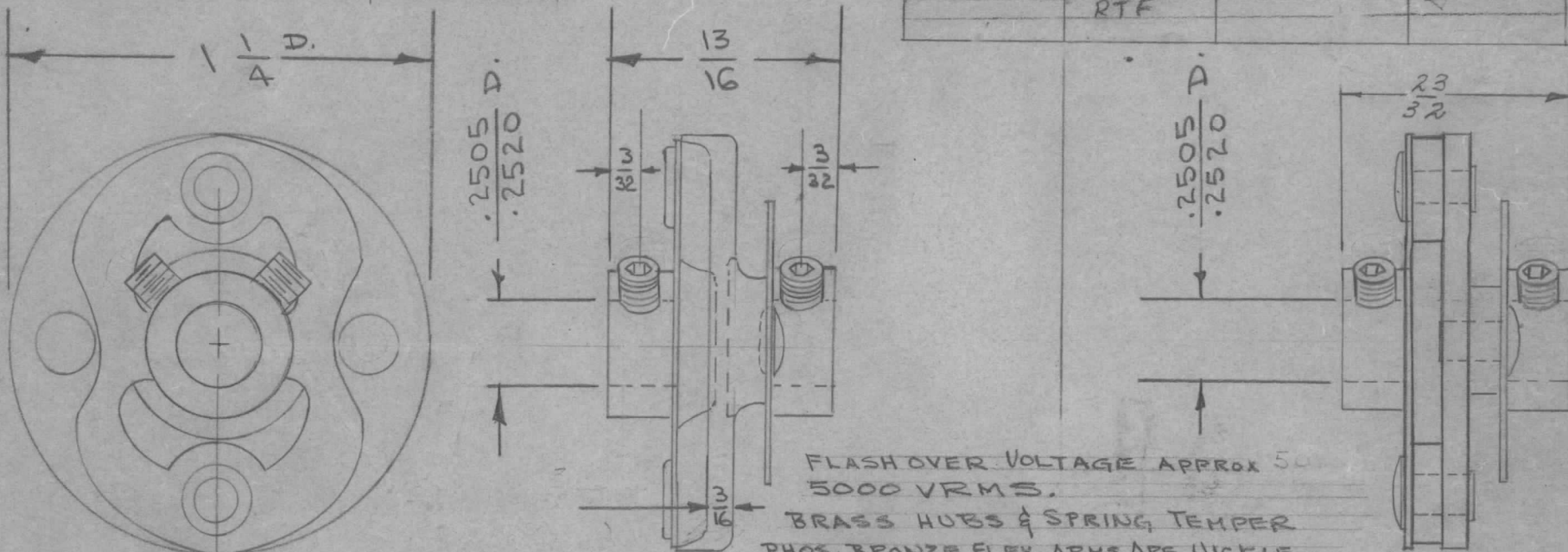
MC-104 B

MAXIMUM ALLOWABLE TOLERANCES HAVE BEEN DETERMINED AND DEVIATIONS WILL BE CAUSE FOR REJECTION.  
REMOVE ALL BURRS AND SHARP EDGES

USED ON

AMT. PER UNIT	MODEL	PROJECT NO.	ASS'Y. NO.	DATE
2	XFK		A-679 A-683	
	VOX			
	TAC-1			
1	GPR-90 RTF			5-12-58 6-23-58

TMC NO	CAT. NO	MATERIAL
MC-104-1	FC-4G-S	STEATITE
MC-104-2	FNC-4G-S	BRASS



INSULATED TYPE  
FC-4G-S

NON-INSULATED TYPE  
FNC-4G-S  
REF: HAMMARLUND MFG. CO

DIM. FOR REF. ONLY.

NOTE - TO BE SUPPLIED BY MFG, -  
FOUR HEADLESS SET SCREWS, 6-32 X 3/16 LONG.  
(HEX SOCKET HEAD) TMC EQUIV. AN565D6H3

B	1	FLASH OVER NOTE ADDED	11/9/59					
A	1	SET SCREW CHGD/NOTE ADDED	1/4/57	1	16			
ISSUE	ITEM	CHANGED FROM	DATE	CN. NO.	DRAFTS	CHECKER	ENG. APP.	

TOLERANCES		SCALE
ALL OTHERS	DEC. DIM. ± FRAC. DIM. ± ANGULAR DIM. ±	DRILL, PUNCH, COMMERCIAL STOCK SIZES AND MANUFACTURERS TOLERANCES ARE NOT INCLUDED.

REQ.	ITEM	PART NO.	DESCRIPTION	SYMBOL
			THE TECHNICAL MATERIEL CORP. MAMARONECK, NEW YORK	
		STOCK SIZE		
		MATERIAL	WEIGHT PER PC.	
		TYPE & TEMPER		
		HEAT TREAT. SPEC.		
		FINISH & SPEC. NO.		

COUPLING, FLEXIBLE

DATE 1-16-53. ORB WOE  
DRAWN ELEC. DES. APP. MECH. DES. APP.  
16-1-28-54 ORB WOE  
CHECKED FINAL APPROVAL

MC-104 B