

IF IT IS FOUND DESIRABLE TO CHANGE ANY TOLERANCE OR OTHER DETAIL SPECIFIED ON THIS DRAWING NOTIFY THE PURCHASER PROMPTLY.

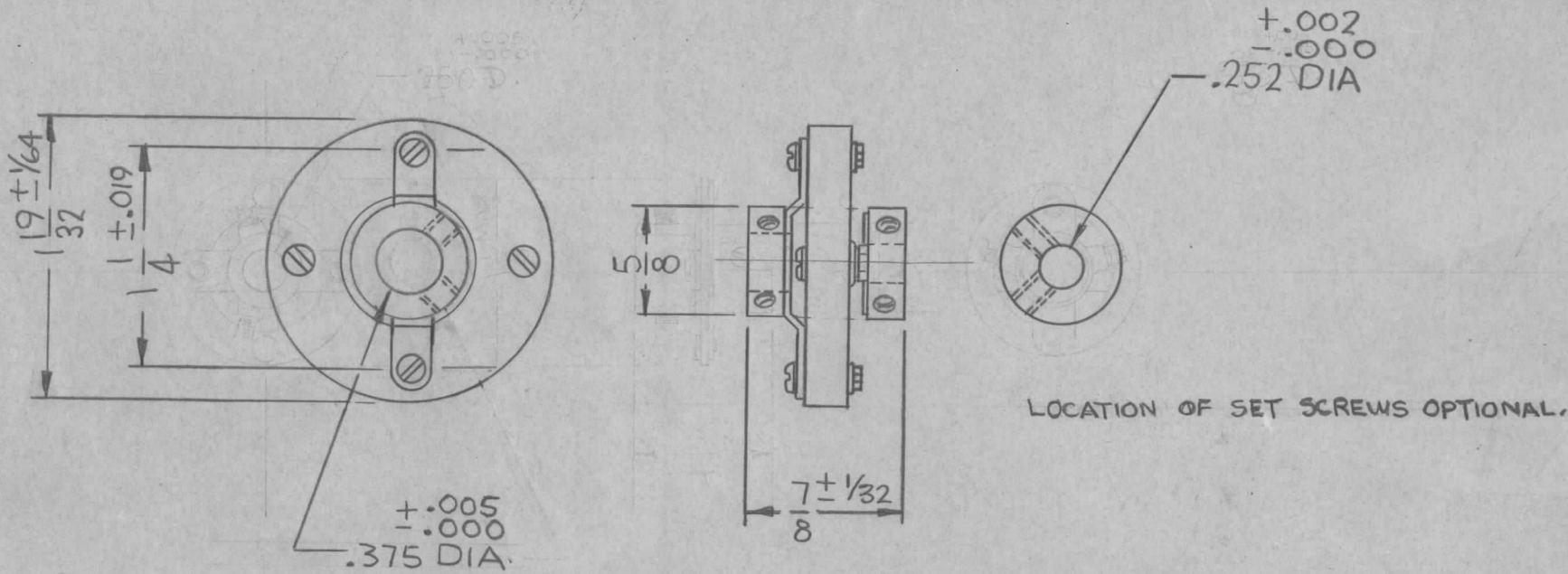
STANDARD DRAWING

MC-103 C

MAXIMUM ALLOWABLE TOLERANCES HAVE BEEN DETERMINED AND DEVIATIONS WILL BE CAUSE FOR REJECTION. REMOVE ALL BURRS AND SHARP EDGES

REQ PER UNIT	USED ON			
	MODEL	PROJECT NO.	ASS'Y. NO.	DATE
1	VOX			
1	XFK		A-684	
1	CMO			

TMC NO.	MFG. P/N
MC-103-1	SA25-2



REF: 5401-358

REQ.	ITEM	PART NO.	DESCRIPTION	SYMBOL					
STOCK SIZE			THE TECHNICAL MATERIEL CORP. MAMARONECK, NEW YORK						
C	DRWG REDRWN & REL	b.8.87 18265 WFO	COUPLING, FLEXIBLE						
B	ADDED 5401-358 & TOL ON DIMS., DELE. OAK MFG CO. CHG'D 7/16 TO 1/2 REF.	8-3-66 16707 RME							
A	DRAWING ADDED	6/11/54 1 C.D.D.							
ISSUE	ITEM	CHANGED FROM	DATE	CN. NO.	DRAFTS	CHECKER	ENG. APP.		
TOLERANCES		SCALE							
ALL OTHERS	DEC. DIM. \pm FRAC. DIM. \pm ANGULAR DIM. \pm	DRILL, PUNCH, COMMERCIAL STOCK SIZES AND MANUFACTURERS TOLERANCES ARE NOT INCLUDED.							
		HEAT TREAT. SPEC.		FINISH & SPEC. NO.		CHECKED		FINAL APPROVAL	
								MC-103 C	