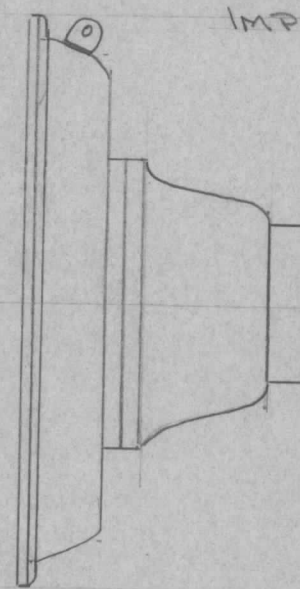
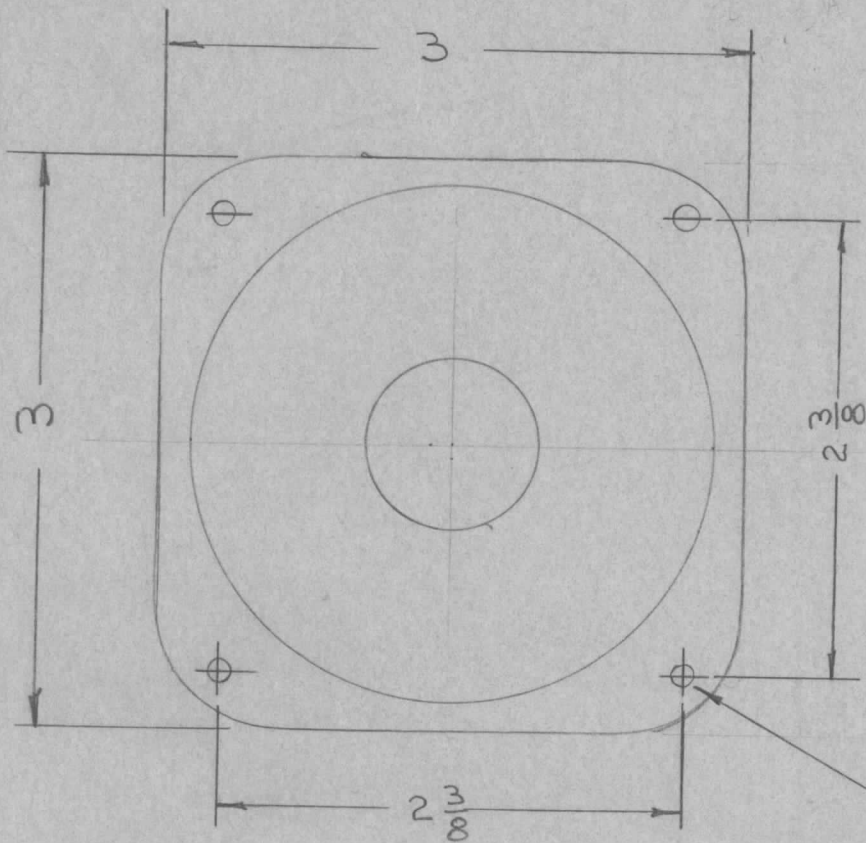
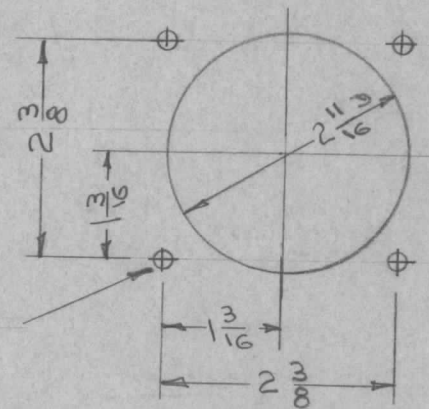


REQ. PER UNIT	USED ON			LS-103
	MODEL	ASS'Y. NO.	DATE	
1	LSP-5	A-1193	12-28-55	



IMPEDANCE 3-4 Ω

MOUNTING DETAIL

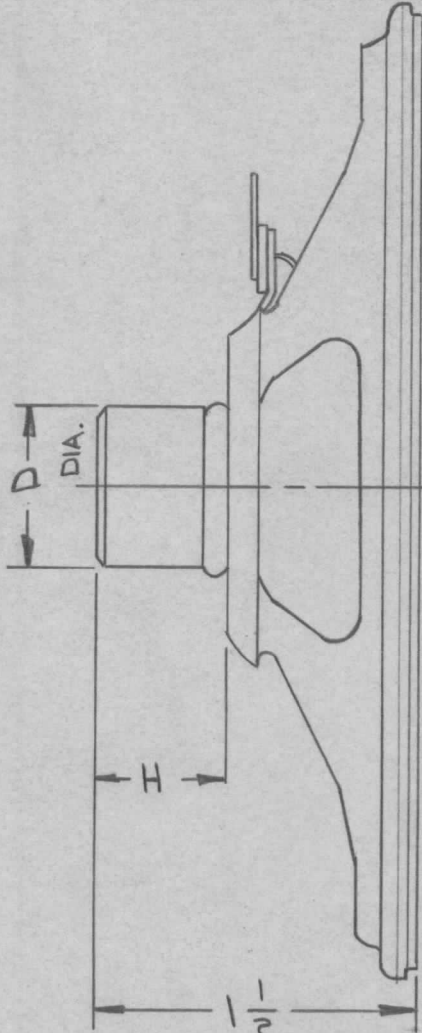
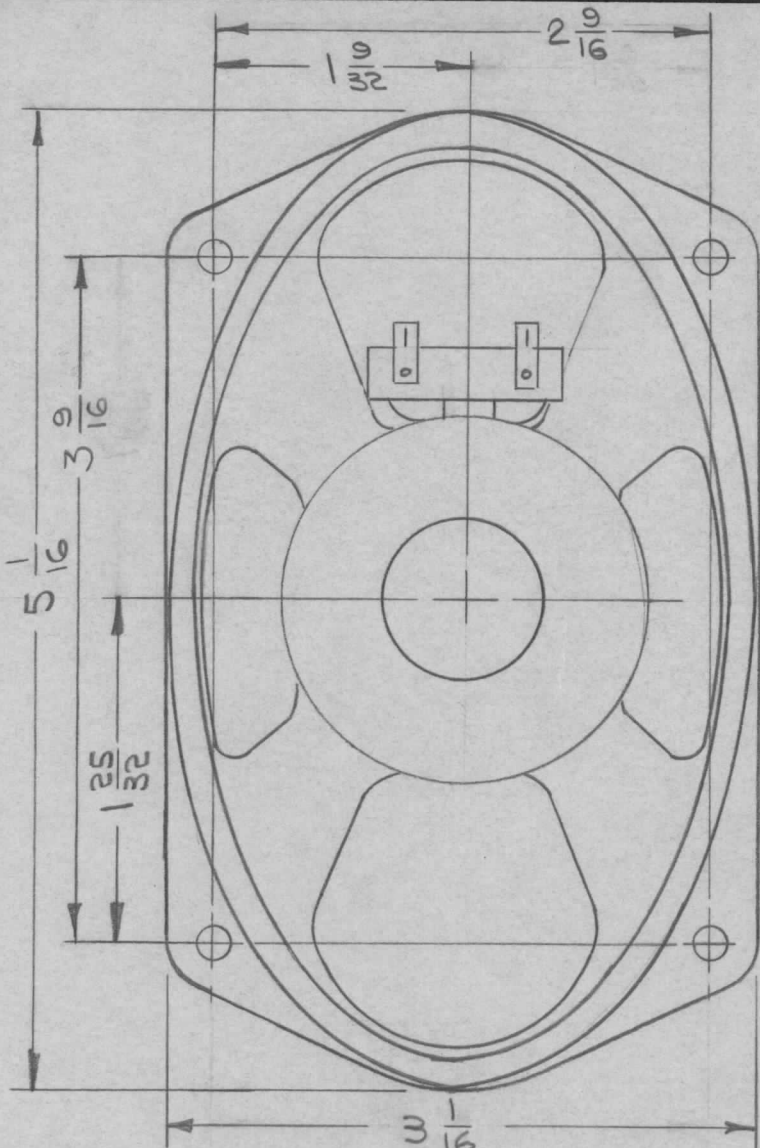


1/64 D

1/64 D  
4 HOLES

REF. VIKING # 356

REQ. ITEM	PART NO.	DESCRIPTION	SYMBOL
		<b>THE TECHNICAL MATERIEL CORP.</b> MAMARONECK, NEW YORK	
	STOCK SIZE	PM LOUDSPEAKER 3"	
	MATERIAL		
ISSUE	ITEM	CHANGED FROM	DATE CH. NO. DRAFTS CHECKER ENG. APP.
TOLERANCES		SCALE:	
DEC. DIM. ±		MAXIMUM ALLOWABLE TOLERANCES HAVE BEEN DETERMINED AND ANY DEVIATIONS WILL BE CAUSE FOR REJECTION.	
FRAC. DIM. ±		REMOVE ALL BURRS AND SHARP EDGES	
ANGULAR DIM. ±			
TYPE & TEMPER		HEAT TREAT. SPEC.	DRAWN
FINISH & SPEC. NO.		ELEC. DES. APP.	MECH. DES. APP.
		A. J. J.	
		LS-103	



REQ. PER UNIT	USED ON			LS107	A
	MODEL	ASS'Y. NO.	DATE		
1	BSP-4		8-6-64		

TMC PART NUMBER	MFG PART NUMBER	"D" DIA.	"H" DIM.	VOICE COIL IMPEDANCE
LS107-1	35A05	53/64	9/16	3.2 Ω
LS107-2	35A05Z45	57/64	23/32	45 Ω

**SPECIFICATIONS**  
 FREQ. RESPONSE: 150 TO 6000 CPS  
 VAR. OF OUTPUT OVER FREQ. RANGE: ±8db  
 RESONANCE: 200 CPS  
 IMPEDANCE: MEASURED AT 400 CPS @ 1/2V  
 TOLERANCE ±10%  
 POWER RATING: 2 WATT  
 MAGNET: ALNICO V.52OUNCES

REQ. ITEM	PART NO.	L. YAZZETTI DESCRIPTION				SYMBOL
A	FINISH WAS BAKED ENAMEL	12.13.66	17468	RME	THE TECHNICAL MATERIEL CORP. MAMARONECK, NEW YORK	
Ø	ORIGINAL RELEASE	8.24.64	+	hB	LOUDSPEAKER, P. M. AMC-307E	
X	EXPER. RELEASE	8.6.64	X	Phew	(3" x 5" OVAL)	
SYM	DESCRIPTION	DATE	CH. NO.	DRAFTS	CHECKER	ENG. APP.
UNLESS OTHERWISE SPECIFIED DIMENSIONS ARE IN INCHES AND INCLUDE CHEMICALLY APPLIED OR PLATED FINISHES		SCALE				
DECIMALS .X ± .05 .XX ± .01 .XXX ± .005		FRACTIONS ± 1/64 ANGLES ± 0° 30'		CODE C	S401-311	
TOLERANCES		ALUMINUM OR GOLD PAINT		DRAWN		CHECKED
		FINISH & SPEC. NO.		ELEC. DES. APP.		MECH. DES. APP.
				8/24/64		LS107 A



## APPLICATION

## REVISIONS

QTY	MODEL USED ON	ASS'Y NO.	LTR	DESCRIPTION	DATE	E.M.N.NO	DRAFT	CHKD	APPD
1	GPR-110								

## Deluxe Ceramic Magnet Speakers

Model No.	Size (Inch)	Description	Mag. Wt. (Oz.)	Impedance (Ohms)	RMS Power (Watts)	O. D. (Inch)	Mag. Dia. (Inch)	Depth (Inch)	Shipp. Wt. (Lbs.)
C35EC	3 1/4	Square	3.0	8-10	8	3 3/4 x 4 3/4	3 3/4	1 1/2	3/4

(MFG.  
UTAH)

UNLESS OTHERWISE SPECIFIED  
DIMENSIONS ARE IN INCHES  
AND INCLUDE CHEMICALLY APPLIED  
OR PLATED FINISHES.

DECIMALS  
.X ± .05  
.XX ± .01  
.XXX ± .005

FRACTIONS  
1/64  
ANGLES  
0° - 30'

MATERIAL

FINISH

REQ'D	ITEM	PART NUMBER	DESCRIPTION	SYM.
LIST OF MATERIAL				
THE TECHNICAL MATERIEL CORP. MAMARONECK, NEW YORK				
SPEAKER, PERMANENT MAGNET				
FINAL APPROVAL	DATE			
MECH. DES.	DATE			
ELECT. DES.	DATE			
CHECKED	DATE			
DRAWN	DATE	G.D.L.		1-17-77

SIZE CODE IDENT. NO. DWG NO. ISSUE

A 82679 LS 108

SCALE

SHEET

OF

NOTICE TO PERSONS RECEIVING THIS DRAWING  
THE TECHNICAL MATERIEL CORPORATION claims proprietary right in the material disclosed hereon. This drawing is issued in confidence for engineering information only and may not be reproduced or used to manufacture anything shown hereon without permission from THE TECHNICAL MATERIEL CORPORATION to the user. This drawing is loaned for mutual assistance and is subject to recall at any time.