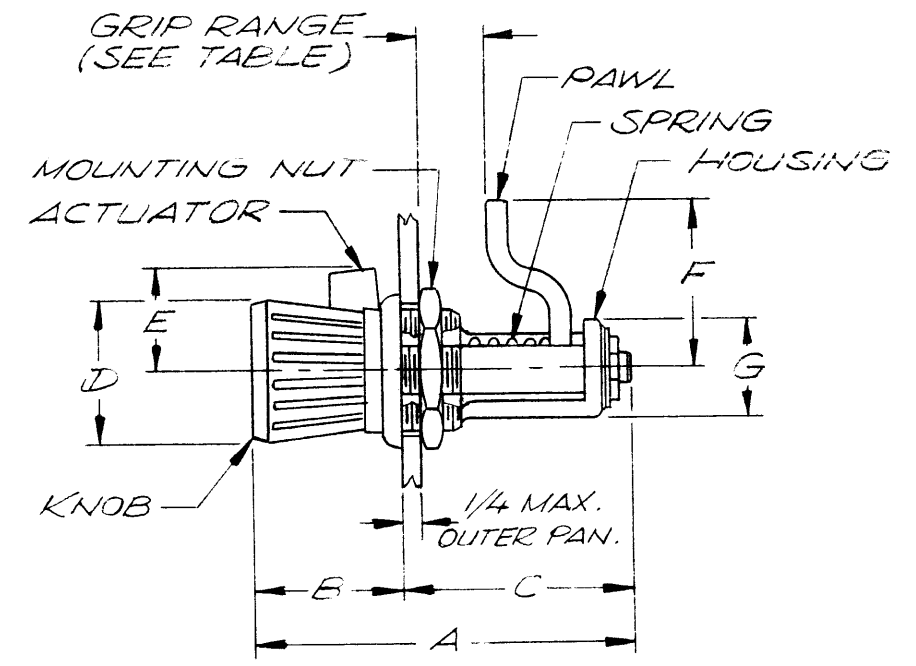


GRIP RANGE		MFG. ASSY. P/N.	DIMENSIONS							APPROX.
MIN.	MAX.		A	B	C	D	E	F	G	WEIGHT
1/16	9/16	16-10-201-11	2 19/32	3 1/32	1 5/8	2 9/32	5/8	1 1/16	1/16	.285 Lb.

REVISIONS						
ZONE	LTR	DESCRIPTION	DATE	E.M.N.NO	DRAFT	CHKD
	X	EXP. RELEASE	10/9/69		Ktr	
	Ø	ORIG RELEASE FOR PROD	10/9/69		CV	



**SPECIFICATION :**

**MATERIAL :**  
 KNOB, HOUSING AND PAWL ACTUATOR ARE DIE - CAST ZINC.  
 PAWL IS MALLEABLE IRON.  
 SPRINGS ARE STAINLESS STEEL.  
 ALL OTHER PARTS ARE STEEL.

**FINISH :**  
 ALL PARTS EXCEPT SPRINGS ARE CADMIUM PLATED (SPRINGS ARE PASSIVATED).  
 KNOB, HOUSING, ACTUATOR AND MOUNTING NUT HAVE BRIGHT CHROMATE DIP. REMAINING PARTS: YELLOW CHROMATE DIP.

REQ'D	ITEM	PART NUMBER	DESCRIPTION	SYM.
LIST OF MATERIAL				
THE TECHNICAL MATERIEL CORP. MAMARONECK, NEW YORK				
LOCK, ADJUSTABLE PAWL				
SIZE	CODE IDENT. NO.	DWG NO.	ISSUE	
B	82679	LK108	Ø	
SCALE	SHEET			OF

QTY / UNIT	MODEL USED ON	ASS'Y NO.
	PALA 10K	4X5080
APPLICATION		
CODE	5401-484	

**NOTICE TO PERSONS RECEIVING THIS DRAWING**  
 THE TECHNICAL MATERIEL CORPORATION claims proprietary right in the material disclosed hereon. This drawing is issued in confidence for engineering information only and may not be reproduced or used to manufacture anything shown hereon without permission from THE TECHNICAL MATERIEL CORPORATION to the user. This drawing is loaned for mutual assistance and is subject to recall at any time.