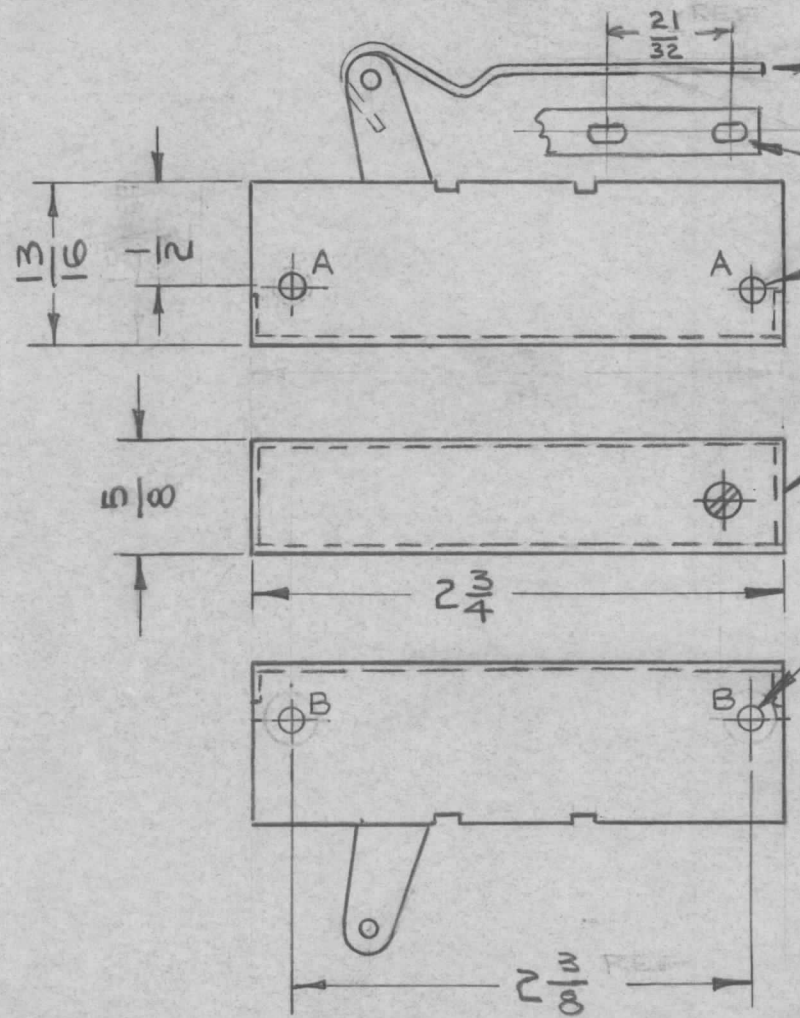


THE CONTENTS OF THIS DRAWING ARE THE EXCLUSIVE PROPERTY OF THE TECHNICAL MATERIEL CORP. ITS UNAUTHORIZED USE OR REPRODUCTION IN WHOLE OR IN PART IS STRICTLY FORBIDDEN.

REQ. PER UNIT 1	USED ON	
	MODEL RAK-21	ASS'Y. NO. 2-23-63

LK-101 A



STRIKE SUPPLIED BY MFR (LK-101-2)

TAP 2 EXI SPECIFICATION:  
PULL:  $2\frac{1}{2}$  -  $4\frac{1}{2}$  lbs.

SLOTS 2 REQ

LK-101-1 (SEE CHART)

NOTE: MATERIAL (EXCLUDING SPRING + HARDWARE) WROUGHT STEEL, BURNISHED.

2 EXISTING HOLES (SEE CHART)

TMC PART #	DESCRIPTION	MODIFICATION OF EXISTING HOLES	
		A	B
LK-101-1L	CATCH, FRICTION, LH	TAP 10-32	CSK 82° x .281D FROM OUTS.
LK-101-1R	CATCH, FRICTION, RH	CSK 82° x .281D FROM OUTSIDE	TAP 10-32
LK-101-2	STRIKE, CATCH	—	—

REF: IVES CO. # 340 F2C (SMALL) MODIFIED PER TMC REQUIREMENTS.

						REQ.	ITEM	PART NO.	DESCRIPTION	SYMBOL	
						SEE NOTE			THE TECHNICAL MATERIEL CORP.		
						STOCK SIZE			MAMARONECK, NEW YORK		
						CADMIUM PLATED			CATCH & STRIKE SET		
						MATERIAL			TOP, FRONT (WINDOW SECTION)		
SYM	DESCRIPTION	DATE	CH. NO.	DRAFTS	CHECKER	ENG. APP.			DRAWN	CHECKED	FINAL APPROVAL
UNLESS OTHERWISE SPECIFIED: DIMENSIONS ARE IN INCHES TOLERANCES ON FRAC. $\pm 1/64$ DEC. $\pm .005$ ANGLES $\pm 1/2^\circ$		SCALE: NO SCALE							LK-101 A		
		MAXIMUM ALLOWABLE TOLERANCES HAVE BEEN DETERMINED AND ANY DEVIATIONS WILL BE CAUSE FOR REJECTION. REMOVE ALL BURRS AND SHARP EDGES					TYPE & TEMPER		HEATTREAT. SPEC.		ELEC. DES. APP.
							FINISH & SPEC. NO.		MECH. DES. APP.		