

STANDARD DRAWING

THE CONTENTS OF THIS DRAWING ARE THE EXCLUSIVE PROPERTY OF THE TECHNICAL MATERIEL CORP. ITS UNAUTHORIZED USE OR REPRODUCTION IN WHOLE OR IN PART IS STRICTLY FORBIDDEN.

REQ. PER UNIT

USED ON

MODEL
Standard

ASS'Y. NO.

DATE

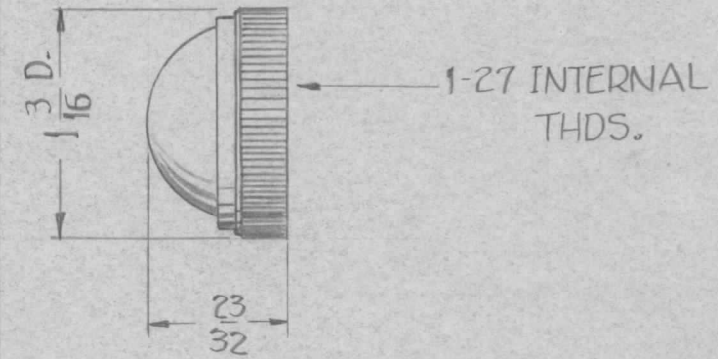
5-24-62

LI-106

TMC PART NO.	MFR. PART NO.	LENS TYPE	LENS COLOR	USED ON TMC INDICATOR LIGHT NO.
LI-106-1N	103-1231	Unfrosted	Red	TS-137-1N
LI-106-2N	103-1232	Unfrosted	Green	TS-137-2N
LI-106-3N	103-1233	Unfrosted	Amber	TS-137-3N
LI-106-4N	103-1234	Unfrosted	Blue	TS-137-4N
LI-106-5N	103-1235	Unfrosted-Translucent	White	TS-137-5N
LI-106-6N	103-1236	Unfrosted	Yellow	TS-137-6N
LI-106-7N	103-1237	Unfrosted	Clear	TS-137-7N
LI-106-1F	103-1211	Back Frosted	Red	TS-137-1F
LI-106-2F	103-1212	Back Frosted	Green	TS-137-2F
LI-106-3F	103-1213	Back Frosted	Amber	TS-137-3F
LI-106-4F	103-1214	Back Frosted	Blue	TS-137-4F
LI-106-6F	103-1216	Back Frosted	Yellow	TS-137-6F
LI-106-7F	103-1217	Back Frosted	Clear	TS-137-7F

SPECIFICATIONS:

Lens - Dome Type
 Material - Glass
 Lens Holder - Brass, Polished Chrome



REF: DIALCO

REQ.	ITEM	PART NO.	DESCRIPTION	SYMBOL					
			THE TECHNICAL MATERIEL CORP. MAMARONECK, NEW YORK						
			LENS, INDICATOR LIGHT, DOME TYPE						
SYM	DESCRIPTION	DATE	CH. NO.	DRAFTS	CHECKER	ENG. APP.			
UNLESS OTHERWISE SPECIFIED: DIMENSIONS ARE IN INCHES TOLERANCES ON FRAC. ± 1/64 DEC. ± .005 ANGLES ± 1/2°		SCALE: MAXIMUM ALLOWABLE TOLERANCES HAVE BEEN DETERMINED AND ANY DEVIATIONS WILL BE CAUSE FOR REJECTION. REMOVE ALL BURRS AND SHARP EDGES		TYPE & TEMPER		HEATTREAT. SPEC.	DRAWN	CHECKED	FINAL APPROVAL
				FINISH & SPEC. NO.		ELEC. DES. APP.	MECH. DES. APP.	LI-106	