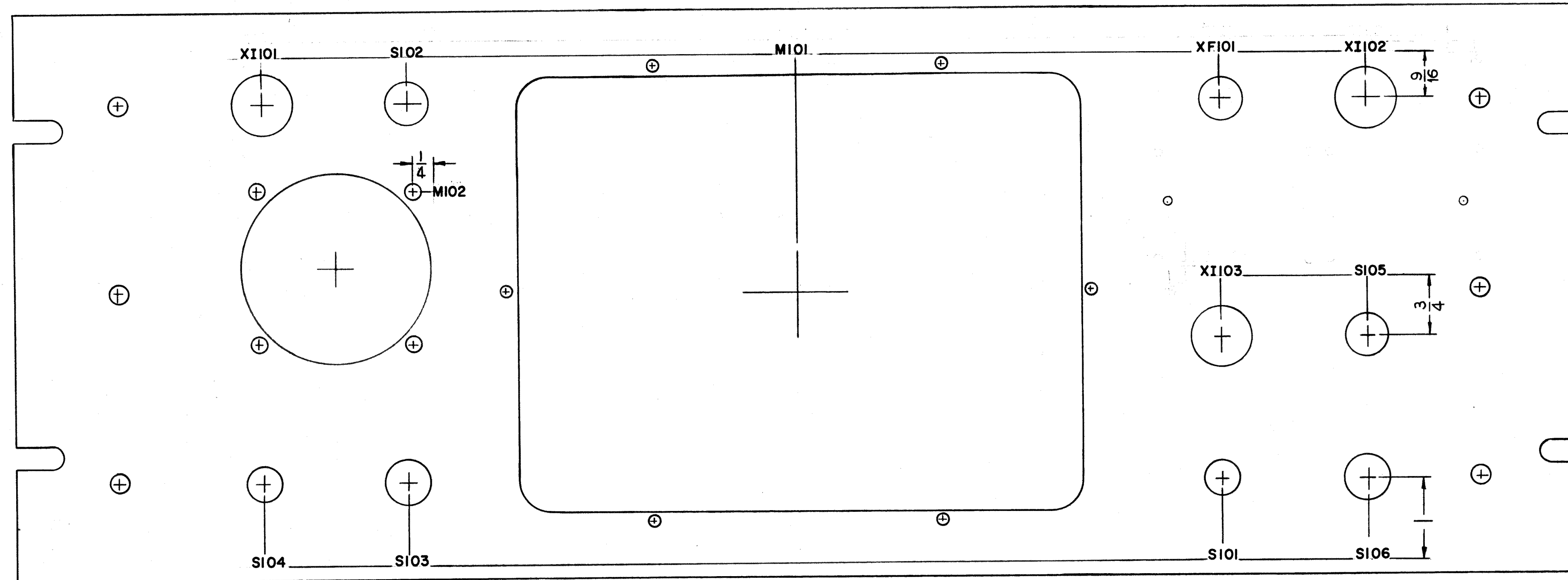


PROPERTY OF PREVIOUS RECEIVING THIS DRAWING

THE TECHNICAL MATERIEL CORPORATION claims proprietary right in the material disclosed hereon. This drawing is issued in confidence for engineering information only and may not be reproduced or used to manufacture any time shown hereon without permission from THE TECHNICAL MATERIEL CORPORATION to the user. This drawing is loaned for mutual assistance and is subject to recall at any time.

Property of:  
 THE TECHNICAL MATERIEL CORPORATION  
 MAMARONECK, NEW YORK



REAR VIEW OF PANEL SHOWN

LETTERING TO BE 1/8 HIGH BLACK GOTHIC,  
 CENTERED ON HOLES UNLESS OTHERWISE SPECIFIED

MARKING PROCESS: AS PER T.M.C. SPECIFICATION S-727

LD-538 B

REF. MS-1751

REV. NO.	DESCRIPTION	DATE	CH. NO.	DRAFTS	CHECKER	ENG. APP.
B	REVISE NAMEPLATE HOLES	8-17-78	21673	WJS		
A	Dwg. Made as 2nd Sheet of (LD-538)	4-7-61	4596	RU		

UNLESS OTHERWISE SPECIFIED:  
 DIMENSIONS ARE IN INCHES  
 TOLERANCES ON  
 FRACTIONS ± 1/64    DECIMALS ± .005    ANGLES ± 1/2°

SCALE  
 MAXIMUM ALLOWABLE TOLERANCES HAVE BEEN DETERMINED AND ANY DEVIATIONS WILL BE CAUSE FOR REJECTION. REMOVE ALL BURRS & SHARP EDGES

REQ. PER UNIT	MODEL	SECTION	ASSY. NO.	DATE
1	MCU-2	ATS-50(70)		4-7-61

REQ. ITEM	PART NO.	DESCRIPTION	SYMBOL
		THE TECHNICAL MATERIEL CORP. MAMARONECK, NEW YORK	
		LETTERING - FRONT PANEL	
		REAR	
		UZZO	
		DRAWN	CHECKED
			FORMAL APPROVAL
			LD-538 B
			SHEET OF 2 OF 2