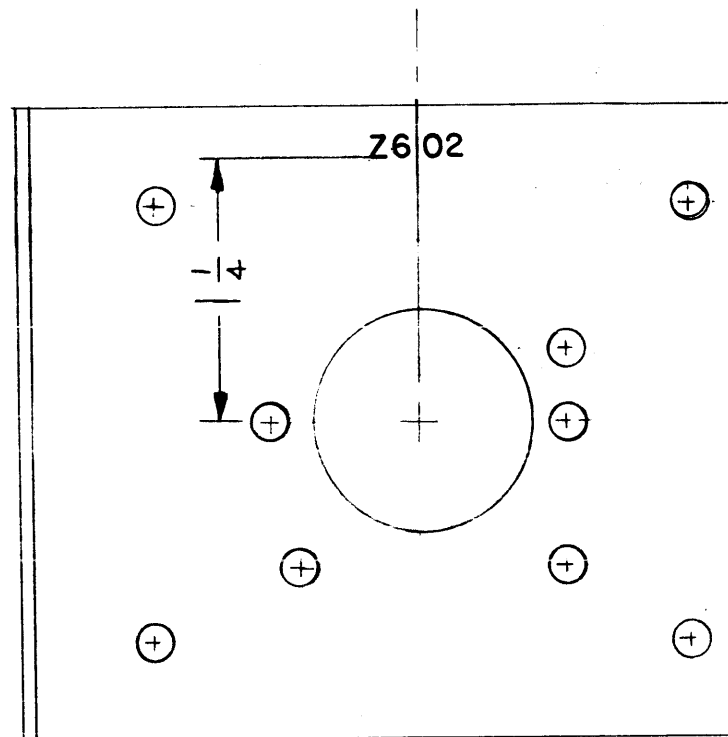
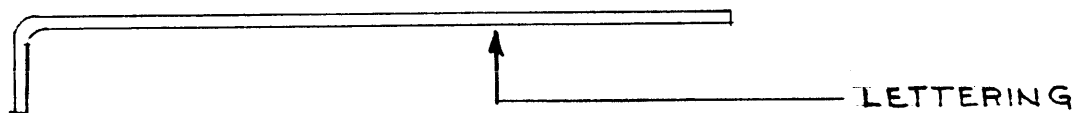


LD-999

THE CONTENTS OF THIS DRAWING ARE THE EXCLUSIVE PROPERTY OF THE TECHNICAL MATERIEL CORP. ITS UNAUTHORIZED USE OR REPRODUCTION IN WHOLE OR IN PART IS STRICTLY FORBIDDEN.



NOTICE TO PERSONS RECEIVING THIS DRAWING

THE TECHNICAL MATERIEL CORPORATION claims proprietary right in the material disclosed hereon. This drawing is issued in confidence for engineering information only and may not be reproduced or used to manufacture anything shown hereon without permission from THE TECHNICAL MATERIEL CORPORATION to the user. This drawing is loaned for mutual assistance and is subject to recall at any time.

Property of:  
THE TECHNICAL MATERIEL CORPORATION  
MAMARONECK, NEW YORK

LETTERING TO BE  $\frac{1}{8}$  HIGH BLACK GOTHIC

MARKING PROCESS: AS PER TMC SPECIFICATION S-727

REF: MS-2830(2)

REQ.	ITEM	PART NO.	DESCRIPTION	SYMBOL
			THE TECHNICAL MATERIEL CORP. MAMARONECK, NEW YORK	
		STOCK SIZE	LETTERING, FREQUENCY	
		MATERIAL	STANDARD, MOUNTING PLATE	
			G.P.	J.W.C.
		TYPE & TEMPER	DRAWN	CHECKED
		HEAT TREAT. SPEC.	J.P.	J.M.
		FINISH & SPEC. NO.	ELEC. DES. APP.	MECH. DES. APP.
			LD-999	

SYM	DESCRIPTION	DATE	CH. NO.	DRAFTS	CHECKER	ENG. APP.
	UNLESS OTHERWISE SPECIFIED: DIMENSIONS ARE IN INCHES TOLERANCES ON FRACTIONS $\pm 1/64$ DECIMALS $\pm .005$ ANGLES $\pm 1/2^\circ$					
	SCALE: MAXIMUM ALLOWABLE TOLERANCES HAVE BEEN DETERMINED AND ANY DEVIATIONS WILL BE CAUSE FOR REJECTION. REMOVE ALL BURRS AND SHARP EDGES					

REQ. PER UNIT	MODEL	SECTION	ASS'Y. NO.	DATE
1	CSS-1A			1-22-62
	USED ON			