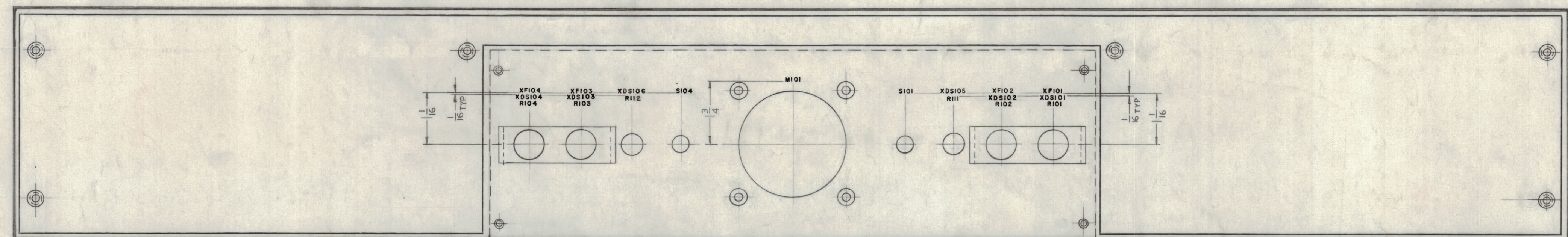
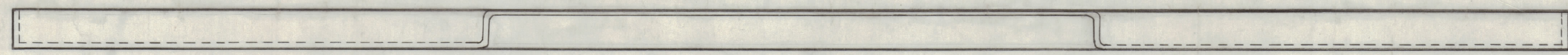


11 10 9 8 7 6 5 4 3 2 1

NOTICE TO PERSONS RECEIVING THIS DRAWING
 THE TECHNICAL MATERIEL CORPORATION claims proprietary right in the material disclosed herein. This drawing is issued in confidence for engineering information only and may not be re-reduced or used to manufacture anything shown hereon without permission from THE TECHNICAL MATERIEL CORPORATION to the user. This drawing is loaned for mutual assistance and is subject to recall at any time.
 Property of:
 THE TECHNICAL MATERIEL CORPORATION
 MAMARONECK, NEW YORK



—REAR VIEW OF PANEL SHOWN—



LETTERING TO BE 1/8" HIGH WHITE GOTHIC

LD-969

SYM	ZONE	DESCRIPTION	DATE	CH. NO.	DRAFTS	CHECKER	ENG. APP.
		UNLESS OTHERWISE SPECIFIED:	SCALE				
		DIMENSIONS ARE IN INCHES	MAXIMUM ALLOWABLE TOLERANCES HAVE BEEN DETERMINED AND ANY DEVIATIONS WILL BE CAUSE FOR REJECTION. REMOVE ALL BURRS & SHARP EDGES				
		TOLERANCES ON FRACTIONS ± 1/64	DECIMALS ± .005		ANGLES ± 1/2°		

REQ. ITEM	PART NO.	DESCRIPTION	SYMBOL
REF-MS-2567			
THE TECHNICAL MATERIEL CORP. MAMARONECK, NEW YORK			
LETTERING, REAR, TOP			
FRONT PANEL			
G.G.		DRAWN	
G.G.		CHECKED	
G.G.		FINAL APPROVAL	
LD-969		SHEET OF	

REQ. PER UNIT	MODEL	SECTION	ASS'Y. NO.	DATE
1	TER-25K			10/13/61