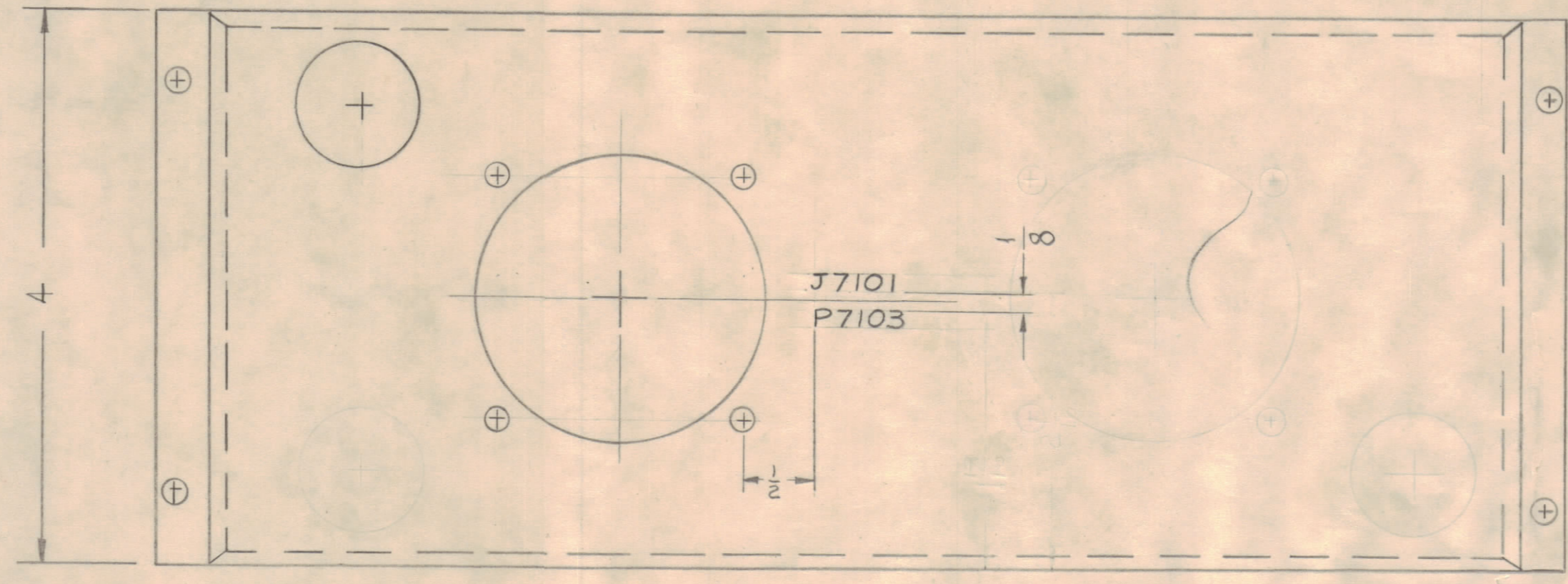
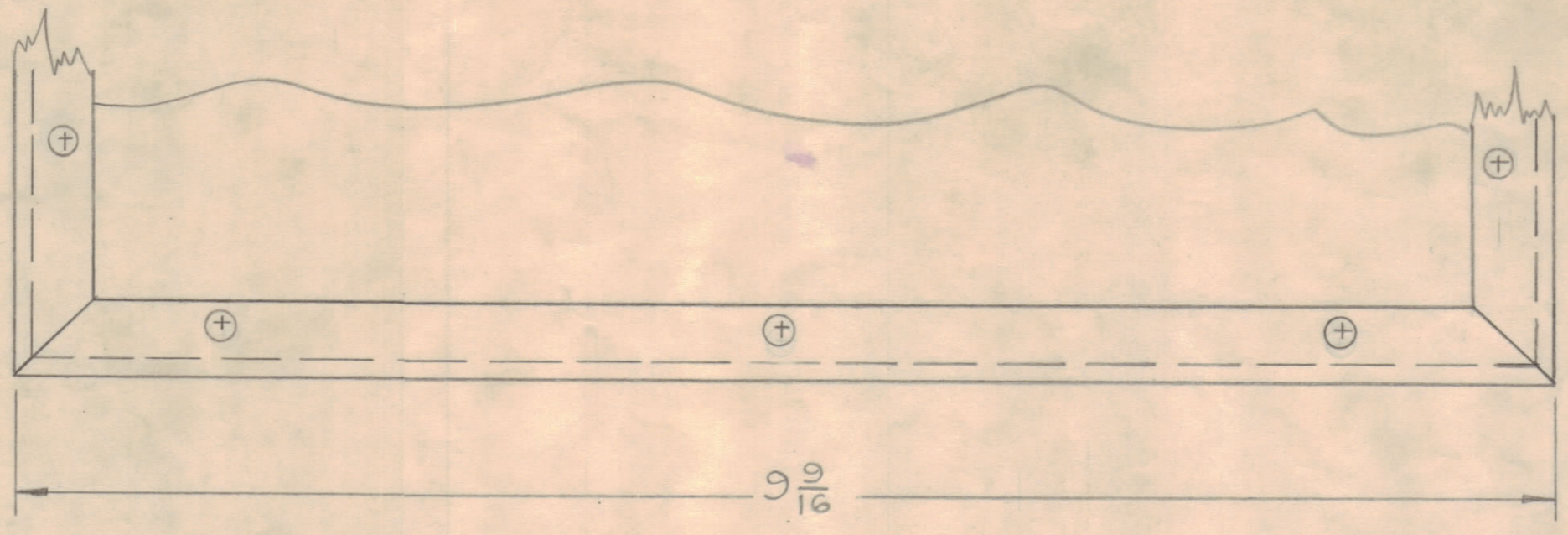


LD-803

NOTICE TO PERSONS DRAWING

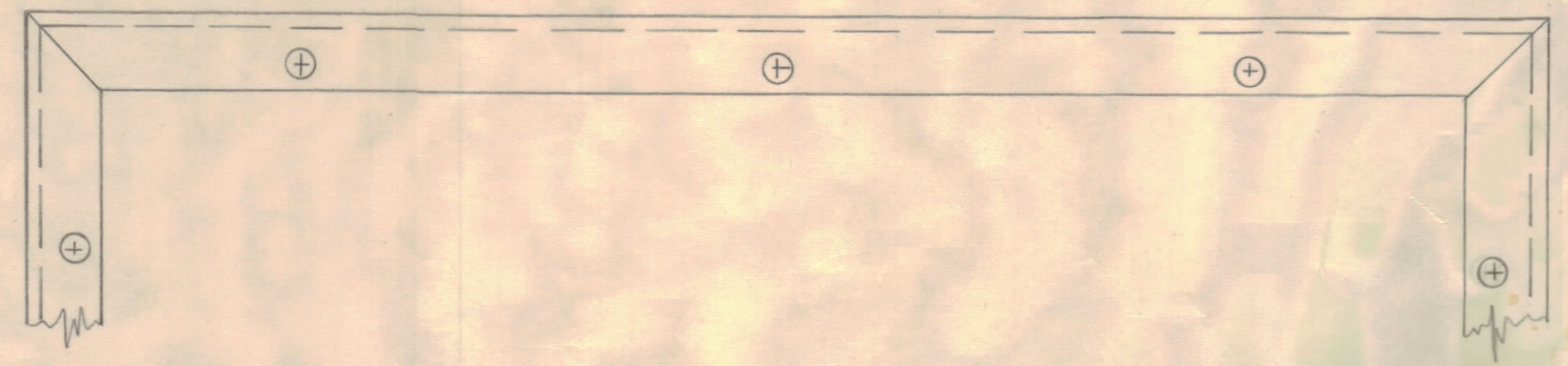
THE TECHNICAL MATERIEL CORPORATION claims proprietary right in the material disclosed hereon. This drawing is issued in confidence for engineering information only and may not be reproduced or used to manufacture anything shown hereon without permission from THE TECHNICAL MATERIEL CORPORATION to the user. This drawing is loaned for mutual assistance and is subject to recall at any time.

Property of:
THE TECHNICAL MATERIEL CORPORATION
MAMARONECK, NEW YORK



LETTERING TO BE 1/8 HIGH
BLACK GOTHIC

MARKING PROCESS: AS PER T M C SPECIFICATION S-727



REF. MS-2022 (8)

REQ. ITEM	PART NO.	DESCRIPTION	SYMBOL
		THE TECHNICAL MATERIEL CORP. MAMARONECK, NEW YORK	
		STOCK SIZE	
		MATERIAL	
		TYPE & TEMPER	
		HEAT TREAT. SPEC.	
		FINISH & SPEC. NO.	
		LETTERING, WRAPAROUND, BLOWER CONTACTOR	
		DRAWN	ELEC. DES. APP. MECH. DES. APP.
		CHECKED	FINAL APPROVAL
			LD-803

REQ PER UNIT	MODEL	SECTION	ABBY. NO.	DATE
1	AP-102	GPT-40K		9-29-60

DESCRIPTION	DATE	CH. NO.	DRAFTS	CHECKER	ENG. APP.
TOLERANCES					
SCALE: FULL (DO NOT SCALE)					
MAXIMUM ALLOWABLE TOLERANCES HAVE BEEN DETERMINED AND ANY DEVIATIONS WILL BE CAUSE FOR REJECTION. REMOVE ALL BURRS AND SHARP EDGES					