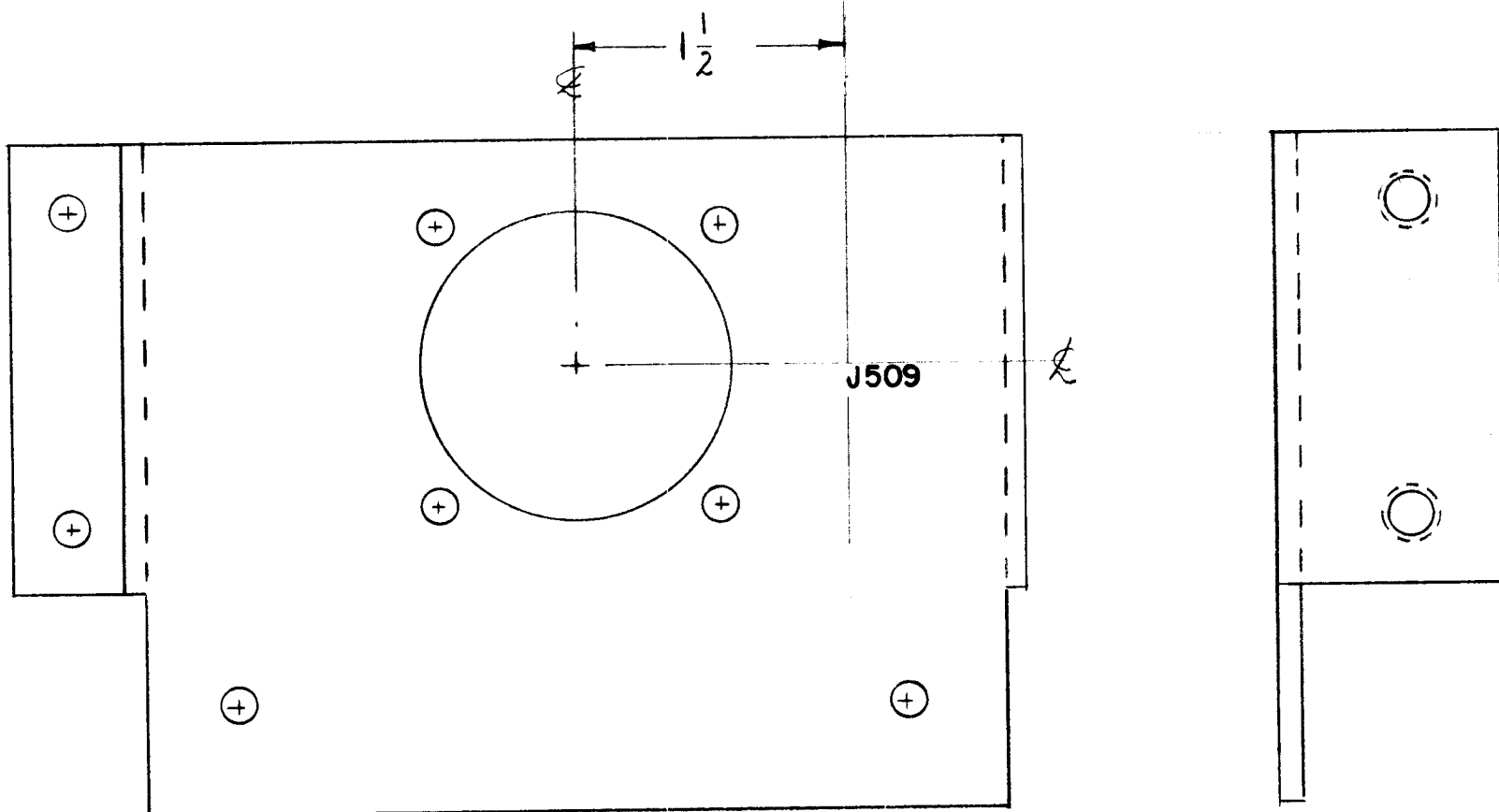


REQ. PER. UNIT	USED ON		LD-660
	MODEL	DATE	
1	RAK. 9	12-23-59	



ALL LETTERING 1/8" BLACK GOTHIC.
 MARKING PROCESS: AS PER TMC SPECIFICATION S-727.

REF. MS-1925

								REQ.	ITEM	PART NO.	DESCRIPTION		SYMBOL
										THE TECHNICAL MATERIEL CORP. MAMARONECK, NEW YORK			
										LETTERING, CONNECTOR			
										JUNCTION BRACKET			
ISSUE	ITEM	CHANGED FROM	DATE	CH. NO.	DRAFTS	CHECKER	ENG. APP.			IORILLO	<i>[Signature]</i>	<i>[Signature]</i>	
TOLERANCES			SCALE:							DRAWN	CHECKED	FINAL APPROVAL	
DEC. DIM. ±			MAXIMUM ALLOWABLE TOLERANCES HAVE BEEN DETERMINED AND ANY DEVIATIONS WILL BE CAUSE FOR REJECTION. REMOVE ALL BURRS AND SHARP EDGES					TYPE & TEMPER		HEAT TREAT. SPEC.			
FRAC. DIM. ±								FINISH & SPEC. NO.		ELEC. DES. APP		MECH. DES. APP	
ANGULAR DIM. ±													