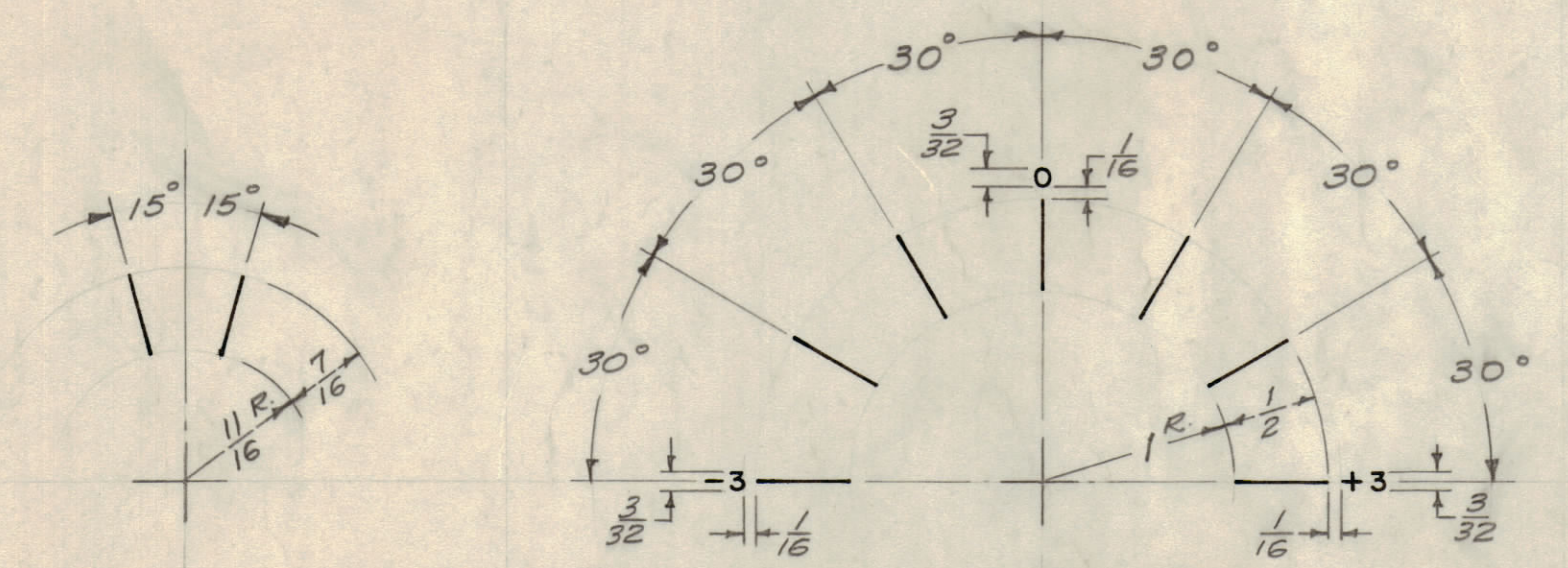
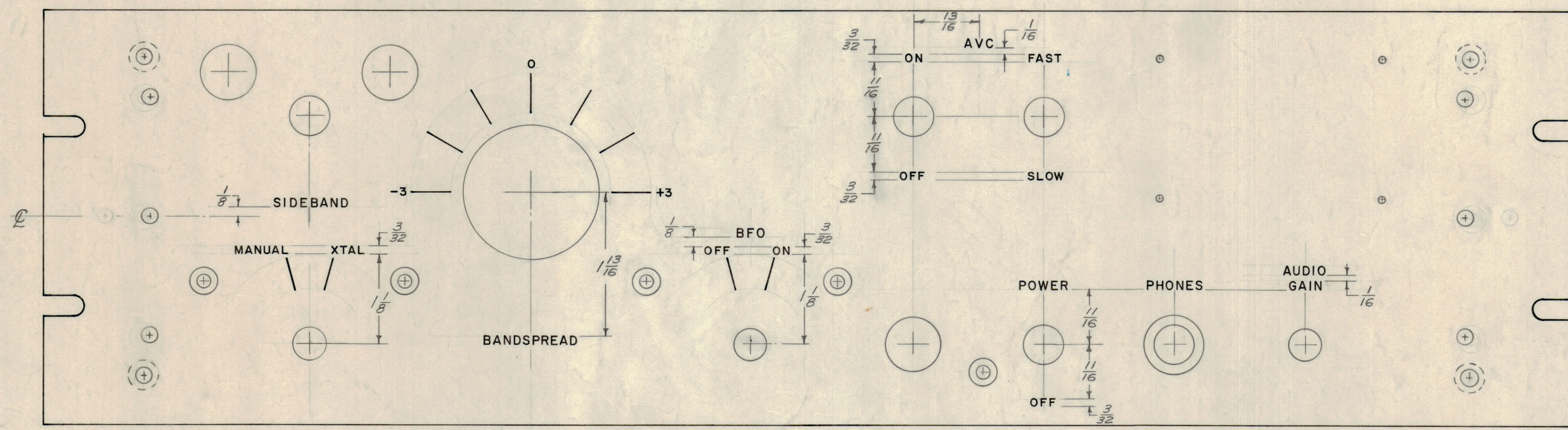


IF IT IS FOUND DESIRABLE TO CHANGE ANY TOLERANCE OR OTHER DETAIL SPECIFIED ON THIS DRAWING NOTIFY THE PURCHASER PROMPTLY.  
 MAXIMUM ALLOWABLE TOLERANCES HAVE BEEN DETERMINED AND DEVIATIONS WILL BE CAUSE FOR REJECTION.  
 REMOVE ALL BURRS AND SHARP EDGES

NOTICE TO PERSONS RECEIVING THIS DRAWING  
 THE TECHNICAL MATERIEL CORPORATION claims proprietary right in the material disclosed hereon. This drawing is issued in confidence for engineering information only and may not be reproduced or used to manufacture anything shown hereon without permission from THE TECHNICAL MATERIEL CORPORATION to the user. This drawing is loaned for mutual assistance and is subject to recall at any time.  
 Property of:  
 THE TECHNICAL MATERIEL CORPORATION  
 MAMARONECK, NEW YORK



ANGLE DISPLACEMENT  
 "SIDE BAND" & "BFO"

ANGLE DISPLACEMENT  
 "BANDSPREAD"

NOTE: ALL LETTERING TO BE 1/8 HIGH UNLESS OTHERWISE SPECIFIED AS 3/32.  
 ALL LETTERING TO BE WHITE FILLED GOTHIC TYPE.

LETTER HEIGHT	DEPTH OF STROKE	WIDTH OF STROKE
3/32	.010	.015
1/8	.010	.020

LD-448

1	See Sheet 2 For Revision	12-11-61	6020	EL	1/1	
ISSUE	ITEM	CHANGED FROM	DATE	CN. NO.	DRAFTS CHECKER	ENG. APP.
TOLERANCES			SCALE: FULL			
ALL OTHERS	DEC. DIM. ± 1/64 FRAC. DIM. ± 1/64 ANGULAR DIM. ± .5°	DRILL, PUNCH, COMMERCIAL STOCK SIZES AND MANUFACTURERS TOLERANCES ARE NOT INCLUDED.				

1	MSR-4			9-11-58
REQ PER UNIT	MODEL	PROJECT NO.	ASSY. NO.	DATE
USED ON				

REF-8MS-1334			
REQ. ITEM	PART NO.	DESCRIPTION	SYMBOL
ff		THE TECHNICAL MATERIEL CORP. MAMARONECK, NEW YORK	
ff		ENGRAVING, FRONT PANEL	
ff		SHEET-1 OF 2	
ff		9-11-58	
ff		DRAWN	ELEC. DES. APP. MECH. DES. APP.
ff		CHECKED	FINAL APPROVAL
ff		FINISH & SPEC. NO.	

LD-448